

Calypso so xl

Servomoto



ANTIGUA



GUADALOUPE



MARTINIQUE



Calypso si allarga con le sospensioni in formato XL, dalle medesime caratteristiche delle versioni standard. Disponibile nelle tre famose combinazioni Antigua Mint, Guadaloupe Sale e Pepe e Martinique Yellow, su richiesta è possibile avere anche le altre colorazioni della collezione Calypso SO.

Calypso family grows with the suspensions in XL format, with the same characteristics as the standard versions. Available in the three famous combinations Antigua Mint, Guadaloupe Sale e Pepe and Martinique Yellow, on request it is also possible to order the other colours of Calypso SO collection.

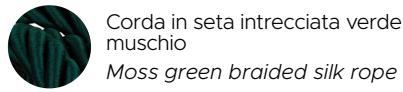
SPECIFICHE PRODOTTO / PRODUCT SPECIFICS

p.2

CALYPSO SO XL ANTIGUA
CALYPSO SO XL GUADALOUPE
CALYPSO SO XL MARTINIQUE

p.3
p.4
p.5

STRUTTURA / FRAME



DIFFUSORE E PARALUME / DIFFUSER AND SHADE



ANTIGUA



Mint

GUADALOUPE



Sale e pepe

MARTINIQUE



Yellow

NOTE:

1. Tessuti ignifughi: CLASSE UNO IM - BS EN 1021.1:2006 CIGARETTE TEST - BS EN 1021.2:2006 BUTANE FLAME TEST - NPFA 260:CLASS 1 IMO A0652(16) - CIGARETTE TEST AND BUTANE TEST
2. Possibilità di regolare l'altezza del cordone. Consultare le istruzioni di montaggio per le informazioni dettagliate.

NOTES:

1. Fire-resistant fabrics: CLASSE UNO IM - BS EN 1021.1:2006 CIGARETTE TEST - BS EN 1021.2:2006 BUTANE FLAME TEST - NPFA 260:CLASS 1 IMO A0652(16) - CIGARETTE TEST AND BUTANE TEST
2. Adjustable rope length. Refer to the installation instructions.

CAVO / CABLE

Seta intrecciata verde muschio
Moss green braided silk

SO

H: 2000 mm
H: 78.7"

FONTE LUMINOSA / LIGHT SOURCE

220-240V



E27 LED

1 x 14W E27
Lampadina LED
LED light bulb

Compatibile con sistemi di controllo remoto in caso di lampadine LED dimmerabili

Compatible with remote control systems when dimmable LED bulbs are used



110V

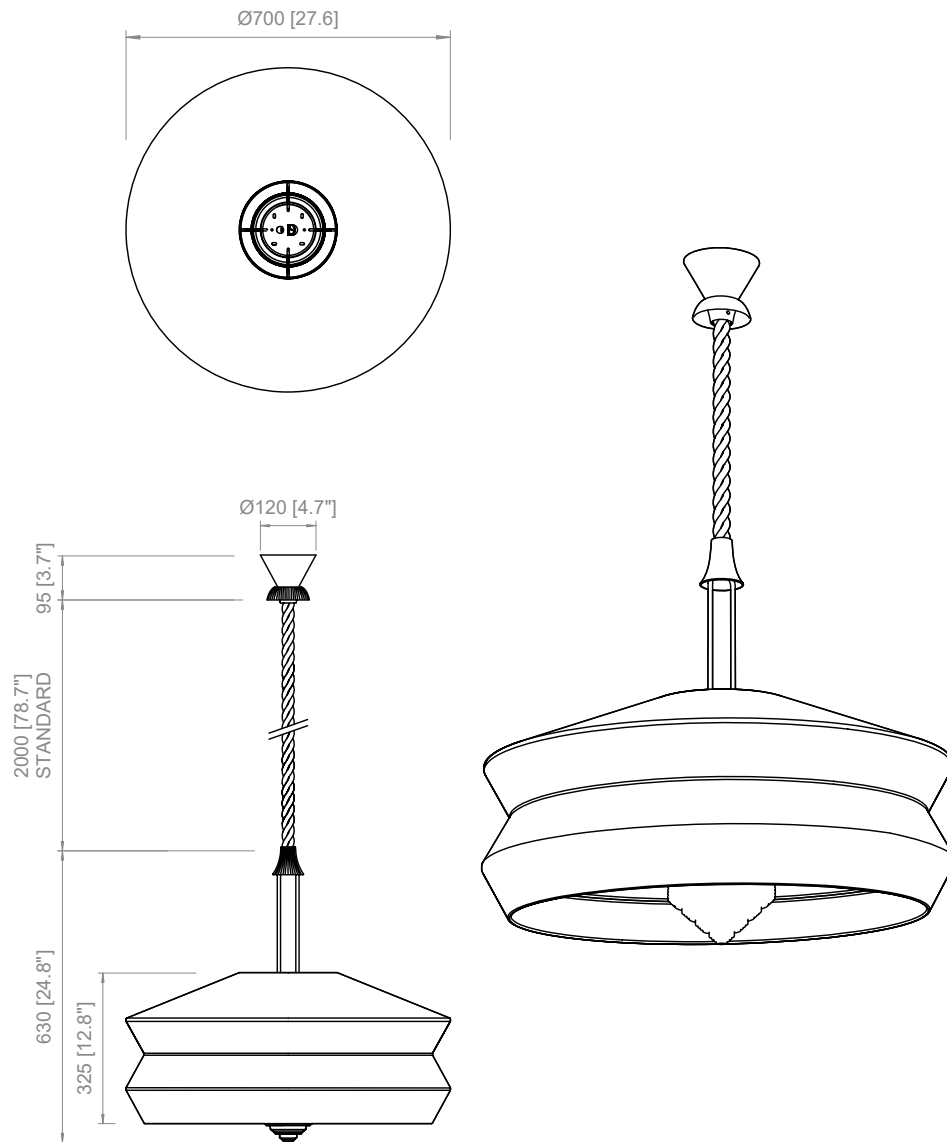


E26 LED

1 x 14W E26
LED light bulb

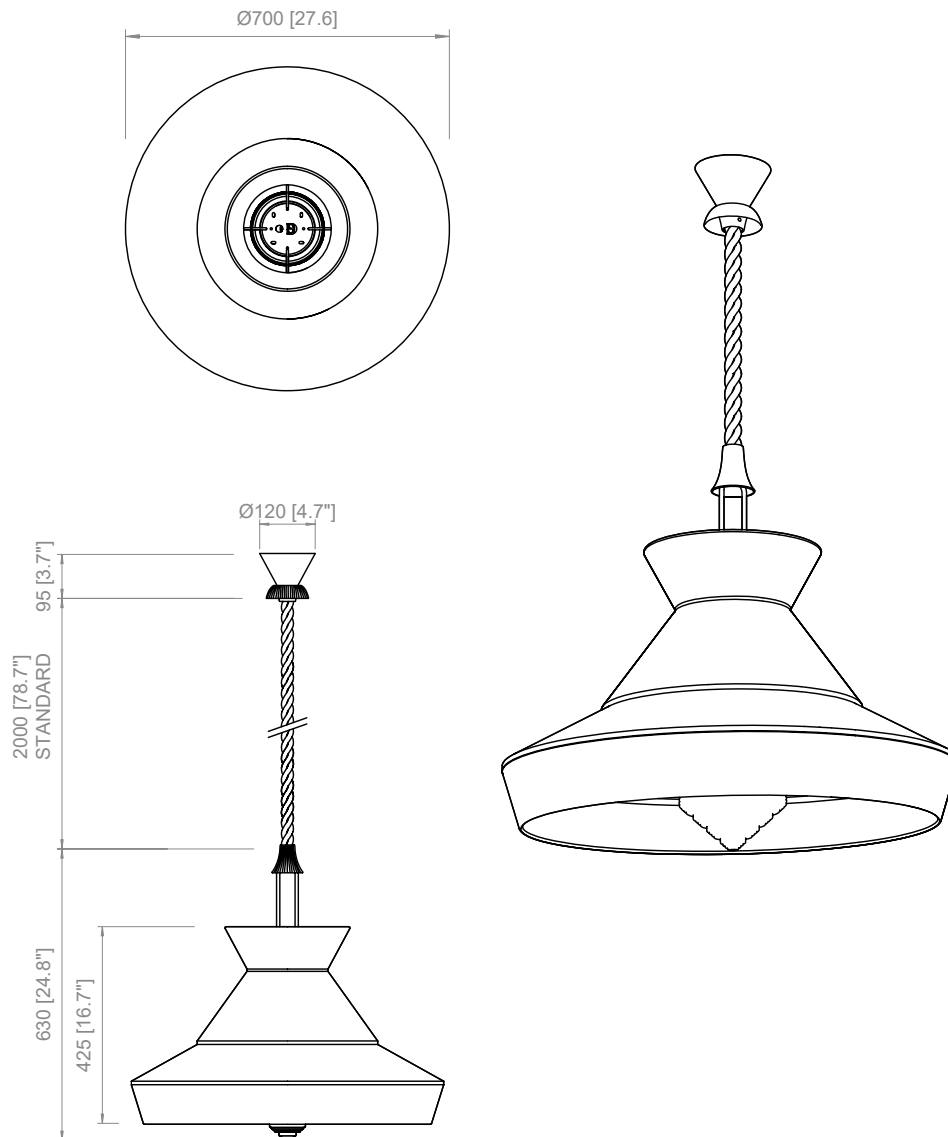
Compatible with remote control systems when dimmable LED bulbs are used





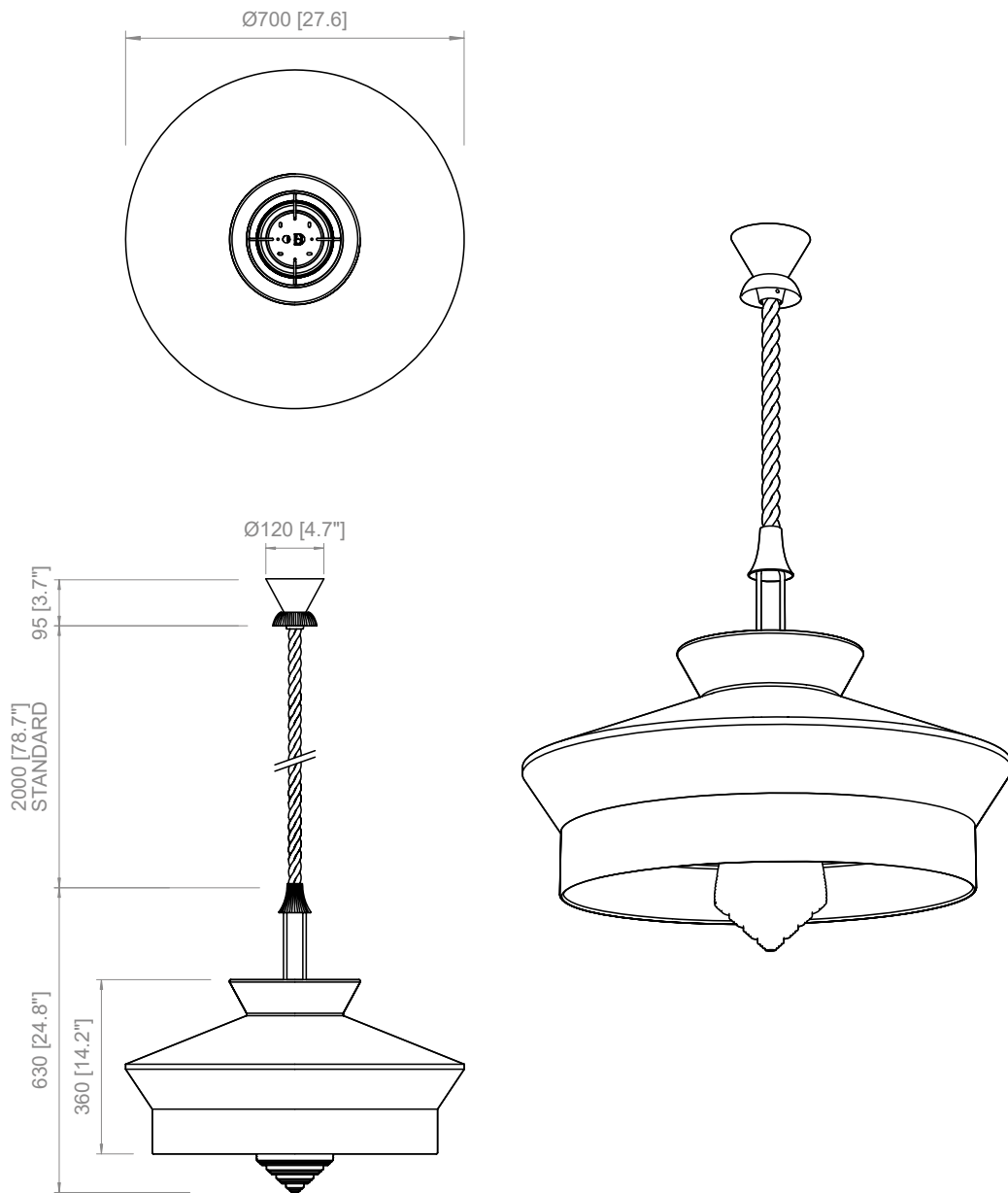
PRODOTTO / PRODUCT **IMBALLI / PACKAGING**

Peso-Weight	Box 1	Box 2
8 kg / 17.6 lbs	L: 505 mm / 19.8"	L: 755 mm / 29.7"
	P-W: 475 mm / 18.7"	P-W: 755 mm / 29.7"
	H: 205 mm / 8"	H: 450 mm / 17.7"
	Peso-Weight: 3.5 kg / 7.7 lbs	Peso-Weight: 7 kg / 15.4 lbs



PRODOTTO / PRODUCT **IMBALLI / PACKAGING**

Peso-Weight	Box 1	Box 2
8 kg / 17.6 lbs	L: 505 mm / 19.8"	L: 755 mm / 29.7"
	P-W: 475 mm / 18.7"	P-W: 755 mm / 29.7"
	H: 205 mm / 8"	H: 450 mm / 17.7"
	Peso-Weight: 3.5 kg / 7.7 lbs	Peso-Weight: 7 kg / 15.4 lbs



PRODOTTO / PRODUCT **IMBALLI / PACKAGING**

Peso-Weight	Box 1	Box 2
8 kg / 17.6 lbs	L: 505 mm / 19.8"	L: 755 mm / 29.7"
	P-W: 475 mm / 18.7"	P-W: 755 mm / 29.7"
	H: 205 mm / 8"	H: 450 mm / 17.7"
	Peso-Weight: 3.5 kg / 7.7 lbs	Peso-Weight: 7 kg / 15.4 lbs

Copyright and/or design rights subsist in this drawing. No part of this drawing may be reproduced in any material form (including photocopying or storing in any medium electronic means, whether or not intentionally and whether or not as part or a larger publication) without the express permission of the copyright owner, Contardi Lighting S.r.l.. Further and without prejudice to the above, this drawing and all information relating thereto is confidential, and shall not be communicated to a third party without the consent of Contardi lighting srl. Contardi lighting srl asserts all rights to be identified as the author of the work and otherwise.

WARNING: The doing of any unauthorised act in relation to a copyright work may result in both a civil claim for damages and criminal prosecution.

CONTARDI LIGHTING Srl

ITALY HEADQUARTERS

contardi-italia.com / sales@contardi-italia.it

CONTARDI USA Inc

USA BRANCH

contardi-usa.com / office@contardi-usa.com