

Calypso so

Servomoto



ANTIGUA



GUADALOUPE



MARTINIQUE



Calypso è una collezione di sospensioni ispirate al periodo dell'art deco, con tessuti le cui trame e decori geometrici bianchi e neri si mischiano con colori vivaci della cultura sudamericana e tropicale, fornendo un risultato molto originale. La versione da interno è caratterizzata dal cordone in seta intrecciata di color verde muschio. Il supporto è un anello in ottone satinato. Il diffusore è in vetro trasparente.

Calypso is a collection of suspensions inspired by the art deco period, with fabrics whose textures and white and black geometric patterns mix with bright colours of South American and tropical culture, providing a very original result. The indoor version is characterised by a green braided silk rope. The metal support is a satin brass finished ring. The diffuser is in transparent glass.

SPECIFICHE PRODOTTO / PRODUCT SPECIFICS

CALYPSO SO ANTIGUA
CALYPSO SO GUADALOUPE
CALYPSO SO MARTINIQUE

p.2

p.3

p.4

p.5

STRUTTURA / FRAME



Ottone satinato
Satin brass



Corda in seta intrecciata verde muschio
Moss green braided silk rope

DIFFUSORE E PARALUME / *DIFFUSER AND SHADE*



Vetro trasparente
Transparent glass

ANTIGUA



Black



Sale e pepe



Mint

GUADALOUPE



Black



Sale e pepe



Mint

MARTINIQUE



Black



Building



Yellow

NOTE:

1. Tessuti ignifughi: CLASSE UNO IM - BS EN 1021.1:2006 CIGARETTE TEST - BS EN 1021.2:2006 BUTANE FLAME TEST - NPFA 260:CLASS 1 IMO A0652(16) - CIGARETTE TEST AND BUTANE TEST
2. Possibilità di regolare l'altezza del cordone. Consultare le istruzioni di montaggio per le informazioni dettagliate.

NOTES:

1. Fire-resistant fabrics: CLASSE UNO IM - BS EN 1021.1:2006 CIGARETTE TEST - BS EN 1021.2:2006 BUTANE FLAME TEST - NPFA 260:CLASS 1 IMO A0652(16) - CIGARETTE TEST AND BUTANE TEST
2. Adjustable rope length. Refer to the installation instructions.

CAVO / CABLE

Seta intrecciata verde muschio
Moss green braided silk

SO

H: 2000 mm
H: 78.7"

FONTE LUMINOSA / *LIGHT SOURCE*

220-240V



E27 LED

1 x 14W E27
Lampadina LED
LED light bulb

Compatibile con sistemi di controllo remoto in caso di utilizzo di lampadine LED dimmerabili

Compatible with remote control systems when dimmable LED bulbs are used



110V

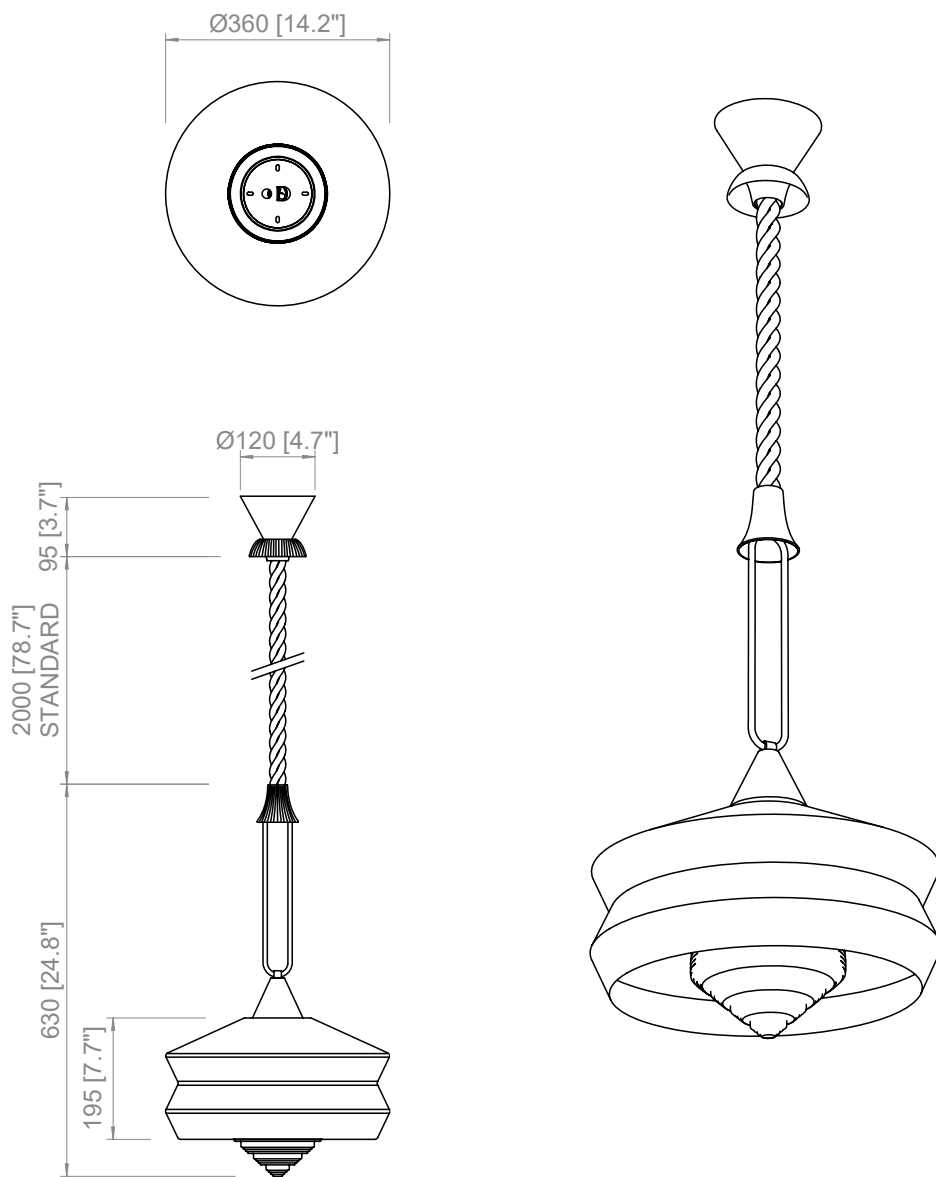


E26 LED

1 x 14W E26
LED light bulb

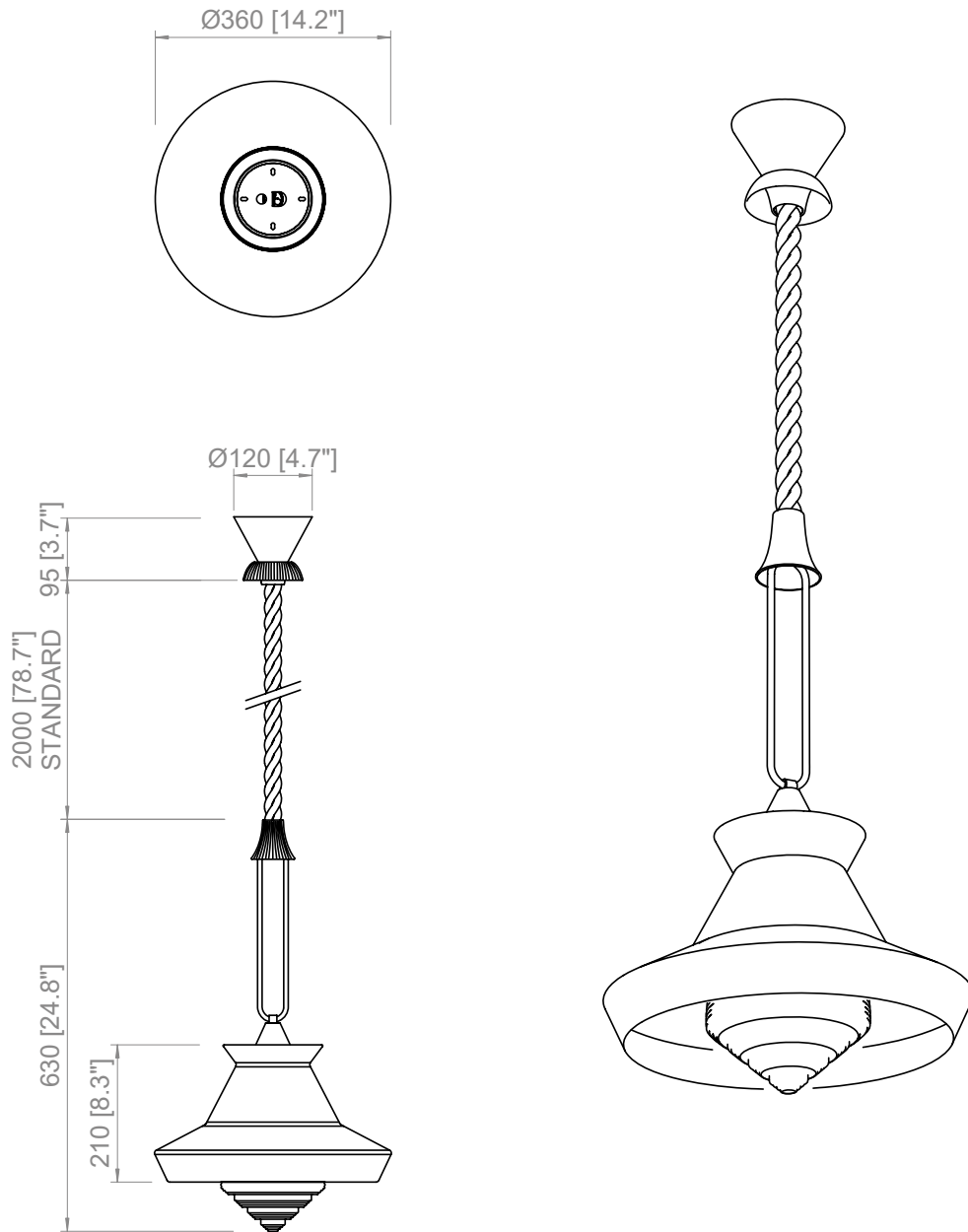
Compatible with remote control systems when dimmable LED bulbs are used





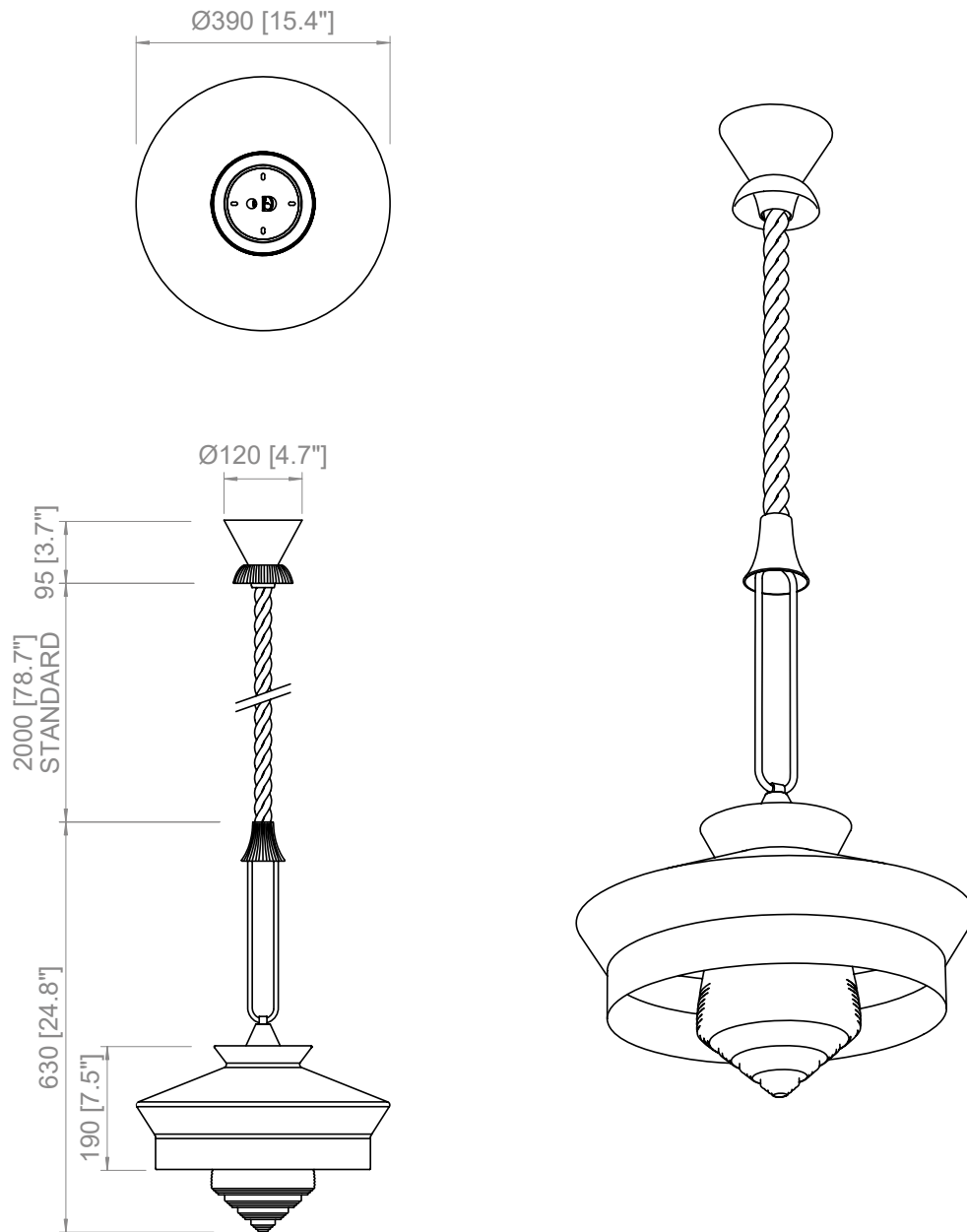
PRODOTTO / PRODUCT **IMBALLI / PACKAGING**

Peso-Weight	Box 1	Box 2
4 kg / 8.8 lbs	L: 205 mm / 8"	L: 420 mm / 16.5"
	P-W: 475 mm / 18.7"	P-W: 420 mm / 16.5"
	H: 205 mm / 8"	H: 250 mm / 9.8"
	Peso-Weight: 3.5 kg / 7.7 lbs	Peso-Weight: 2.5 kg / 5.5 lbs



PRODOTTO / PRODUCT **IMBALLI / PACKAGING**

Peso-Weight	Box 1	Box 2
4 kg / 8.8 lbs	L: 205 mm / 8"	L: 420 mm / 16.5"
	P-W: 475 mm / 18.7"	P-W: 420 mm / 16.5"
	H: 205 mm / 8"	H: 250 mm / 9.8"
	Peso-Weight: 3.5 kg / 7.7 lbs	Peso-Weight: 2.5 kg / 5.5 lbs



PRODOTTO / PRODUCT **IMBALLI / PACKAGING**

Peso-Weight	Box 1	Box 2
4 kg / 8.8 lbs	L: 205 mm / 8"	L: 420 mm / 16.5"
	P-W: 475 mm / 18.7"	P-W: 420 mm / 16.5"
	H: 205 mm / 8"	H: 250 mm / 9.8"
	Peso-Weight: 3.5 kg / 7.7 lbs	Peso-Weight: 2.5 kg / 5.5 lbs

Copyright and/or design rights subsist in this drawing. No part of this drawing may be reproduced in any material form (including photocopying or storing in any medium electronic means, whether or not intentionally and whether or not as part or a larger publication) without the express permission of the copyright owner, Contardi Lighting S.r.l.. Further and without prejudice to the above, this drawing and all information relating thereto is confidential, and shall not be communicated to a third party without the consent of Contardi lighting srl. Contardi lighting srl asserts all rights to be identified as the author of the work and otherwise.

WARNING: The doing of any unauthorised act in relation to a copyright work may result in both a civil claim for damages and criminal prosecution.

CONTARDI LIGHTING Srl

ITALY HEADQUARTERS

contardi-italia.com / sales@contardi-italia.it

CONTARDI USA Inc

USA BRANCH

contardi-usa.com / office@contardi-usa.com