

— air

DESIGN ADAM D. TIHANY



SUSPENSIONS / SOSPENSIONI

SMALL / LARGE

The AIR suspension light, conceived by Adam Tihany, combines a love of design with a solid ecological ethos.

Featuring intricate laser cuts, a double emission light and a warm, inviting glow, you wouldn't guess that this light is made of GREEN CAST®. This is a 100% recycled and recyclable acrylic material produced with the utmost respect for primary resources, involving a significantly reduced amount of raw materials, and the re-use of what is considered waste.

With AIR, Contardi makes a pledge to become an even greener company in the future, with a promise to drastically cut the waste of materials and damage to the Earth. We want our lamps to have a great impact on the world of design, and the smallest possible environmental footprint.

La lampada a sospensione AIR, ideata da Adam Tihany, combina l'amore per il design con una filosofia ecologica.

Caratterizzato da intricati tagli laser, una luce a doppia emissione e un bagliore caldo e invitante, questa luce è realizzata in GREEN CAST®. Si tratta di un materiale acrilico riciclato e riciclabile al 100%, prodotto nel massimo rispetto delle risorse primarie, comportando una quantità notevolmente ridotta di materie prime e il riutilizzo di ciò che è considerato rifiuto.

Con AIR, Contardi si impegna a diventare un'azienda ancora più verde in futuro, con la promessa di ridurre drasticamente lo spreco di materiali e i danni alla Terra. Vogliamo che le nostre lampade abbiano un grande impatto nel mondo del design e il minor impatto ambientale possibile.

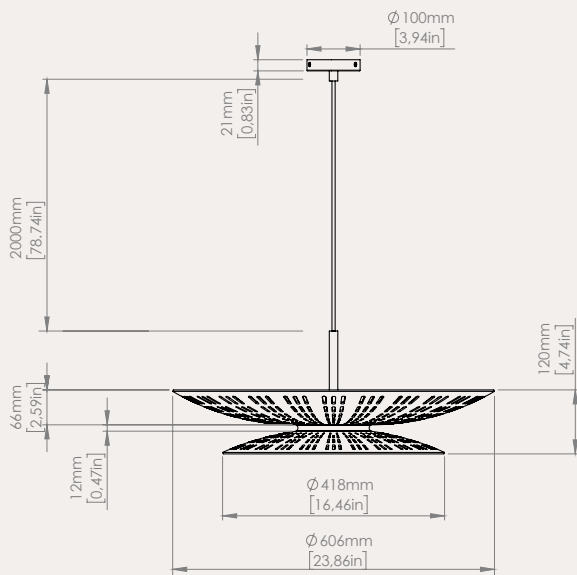
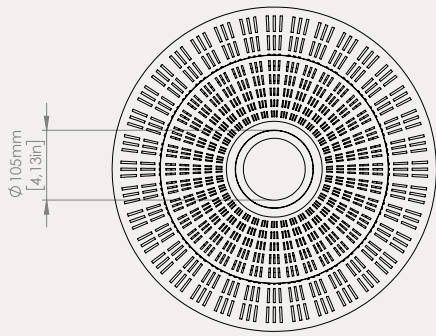
P2

air so small

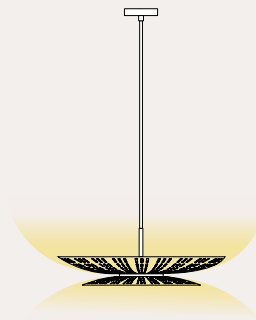
P3

air so large

SMALL



LIGHT EFFECT / EFFETTO LUMINOSO



LIGHT SOURCE / FONTE LUMINOSA
double emission / doppia emissione

220-240V · 110V

SMALL

upper emission / emissione superiore 1x3.5 W Strip LED · 450 Lm
lower emission / emissione inferiore 1x9 W Custom LED · 1.250 Lm
2.700 K · CRI >90


DIMMING / DIMMERAZIONE

phase cut (Triac) / taglio di fase (Triac)
1-10V · DALI on demand / 1-10V · DALI su richiesta

FINISHES / FINITURE
frame / struttura


 cream Green Cast®
Green Cast® crema  black Green Cast®
Green Cast® nero

diffuser / diffusore

 opal white
bianco opale

CABLE / CAVO

2000mm [79.7"] standard

 sand colour fabric
tessuto color sabbia

extra cable / cavo extra

up to 5000 mm [196.8"] on demand / fino a 5000 mm [196.8"] su richiesta
up to 10000 mm [393.7"] on demand / fino a 10000 mm [393.7"] su richiesta

PRODUCT WEIGHT / PESO PRODOTTO

9 kg [19.8 lbs]

PACKAGING / IMBALLI

BOX 1

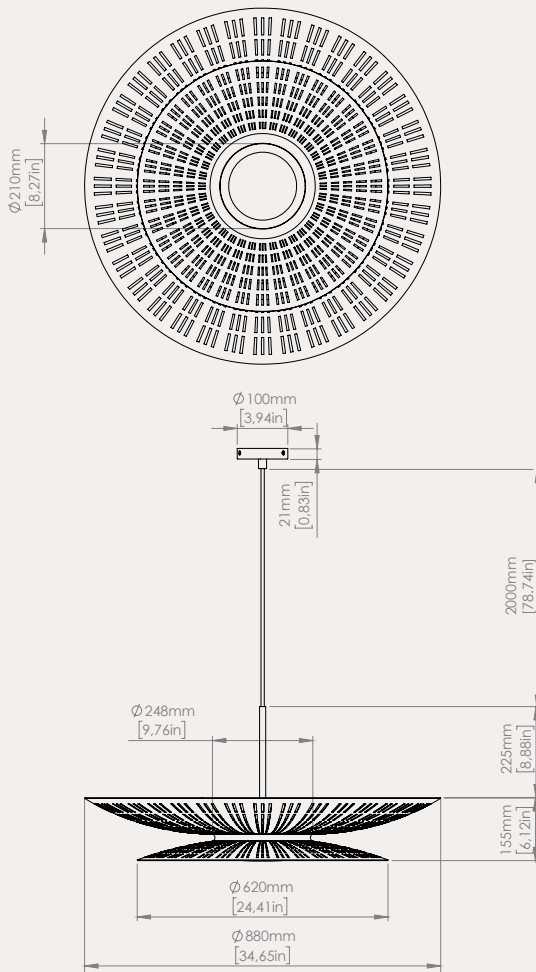
length / lunghezza
width / larghezza
height / altezza

750 mm [29.5"]
750 mm [29.5"]
360 mm [14.1"]

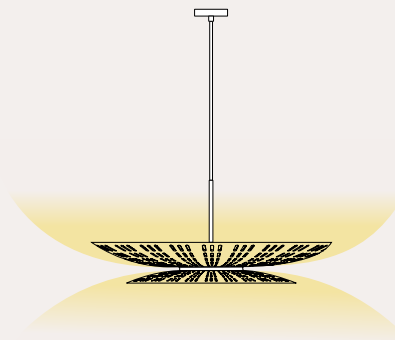
weight / peso

10 kg [22 lbs]

LARGE



LIGHT EFFECT / EFFETTO LUMINOSO



LIGHT SOURCE / FONTE LUMINOSA
double emission / doppia emissione

220-240V · 110V

LARGE

upper emission / emissione superiore 1x7.5 W Strip LED · 650 Lm
lower emission / emissione inferiore 1x14.3 W Custom LED · 2.450 Lm
2.700 K · CRI >90

DIMMING / DIMMERAZIONE


phase cut (Triac) / taglio di fase (Triac)
1-10V · DALI on demand / 1-10V · DALI su richiesta

FINISHES / FINITURE

frame / struttura


 cream Green Cast®
Green Cast® crema  black Green Cast®
Green Cast® nero

diffuser / diffusore

 opal white
bianco opale

CABLE / CAVO

2000mm [79.7"] standard

 sand colour fabric
tessuto color sabbia

extra cable / cavo extra

up to 5000 mm [196.8"] on demand / fino a 5000 mm [196.8"] su richiesta
up to 10000 mm [393.7"] on demand / fino a 10000 mm [393.7"] su richiesta

PRODUCT WEIGHT / PESO PRODOTTO

10 kg [22 lbs]

PACKAGING / IMBALLI

BOX 1

length / lunghezza
width / larghezza
height / altezza

1000 mm [39.3"]
1000 mm [39.3"]
360 mm [14.1"]

weight / peso

11,5 kg [25.3 lbs]



CONTARDI LIGHTING Srl

ITALY HEADQUARTERS
contardi-italia.com

CONTARDI USA Inc

USA BRANCH
contardi-usa.com

Copyright and/or design rights subsist in this drawing. No part of this drawing may be reproduced in any material form (including photocopying or storing in any medium electronic means, whether or not intentionally and whether or not as part or a larger publication) without the express permission of the copyright owner, Contardi Lighting S.r.l.. Further and without prejudice to the above, this drawing and all information relating thereto is confidential, and shall not be communicated to a third party without the consent of Contardi lighting srl. Contardi Lighting Srl asserts all rights to be identified as the author of the work and otherwise.

WARNING: The doing of any unauthorised act in relation to a copyright work may result in both a civil claim for damages and criminal prosecution.