

Discus

MKV Design



SO



AP



PL



Born from the research conducted by designer Maria Vafiadis of MKV Design, Discus is offered in three variants of different sizes: suspension, applique and ceiling.

This product range boasts a minimalist look, with a decisive and dynamic graphic line where light, shape and decoration frame the space in an evocative and contemporary way.

Two metal discs, which can be white or black, enclose the illuminating

source in an interlocking game. The white opal diffuser in the middle is framed by a semi-polished brass band that gives a touch of luxury to the design. The particular shape of the structure, which in the wall version has a 120° rotating arm, allows the light to spread uniformly over the entire surface – this makes the product ideal for any location and use, in both residential and high-end hospitality contexts.

PRODUCT SPECIFICS

p.2

DISCUS SO SMALL
DISCUS SO LARGE

p.3
p.4

DISCUS AP SMALL
DISCUS AP LARGE

p.5
p.6

DISCUS PL SMALL
DISCUS PL LARGE

p.7
p.8

FRAME



Matt black silk lacquered



Matt white lacquered



Semi-polished brass



Semi-polished brass

LIGHT SOURCE

110V



LED module

SO / AP / PL SMALL

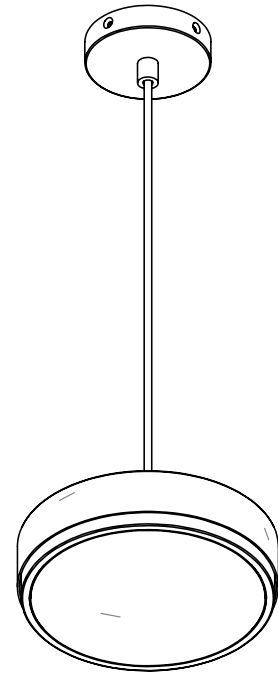
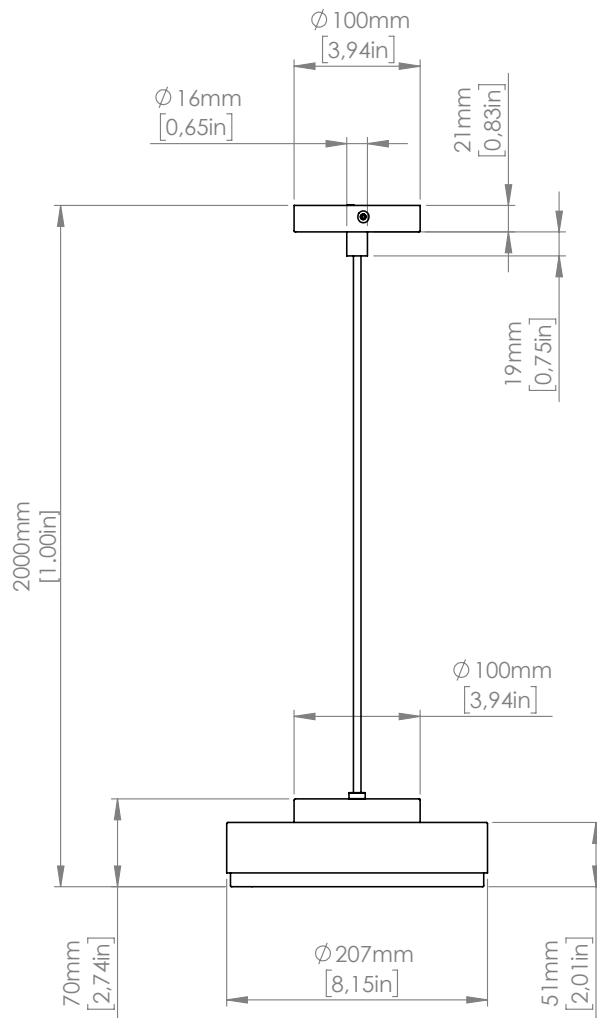
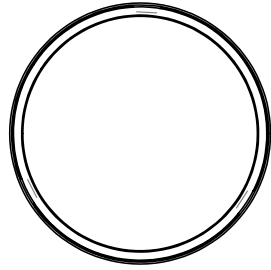
1 x 14.3W
LED module
Emission: 2.450 Lm
2.700 K; CRI: >90
IP20

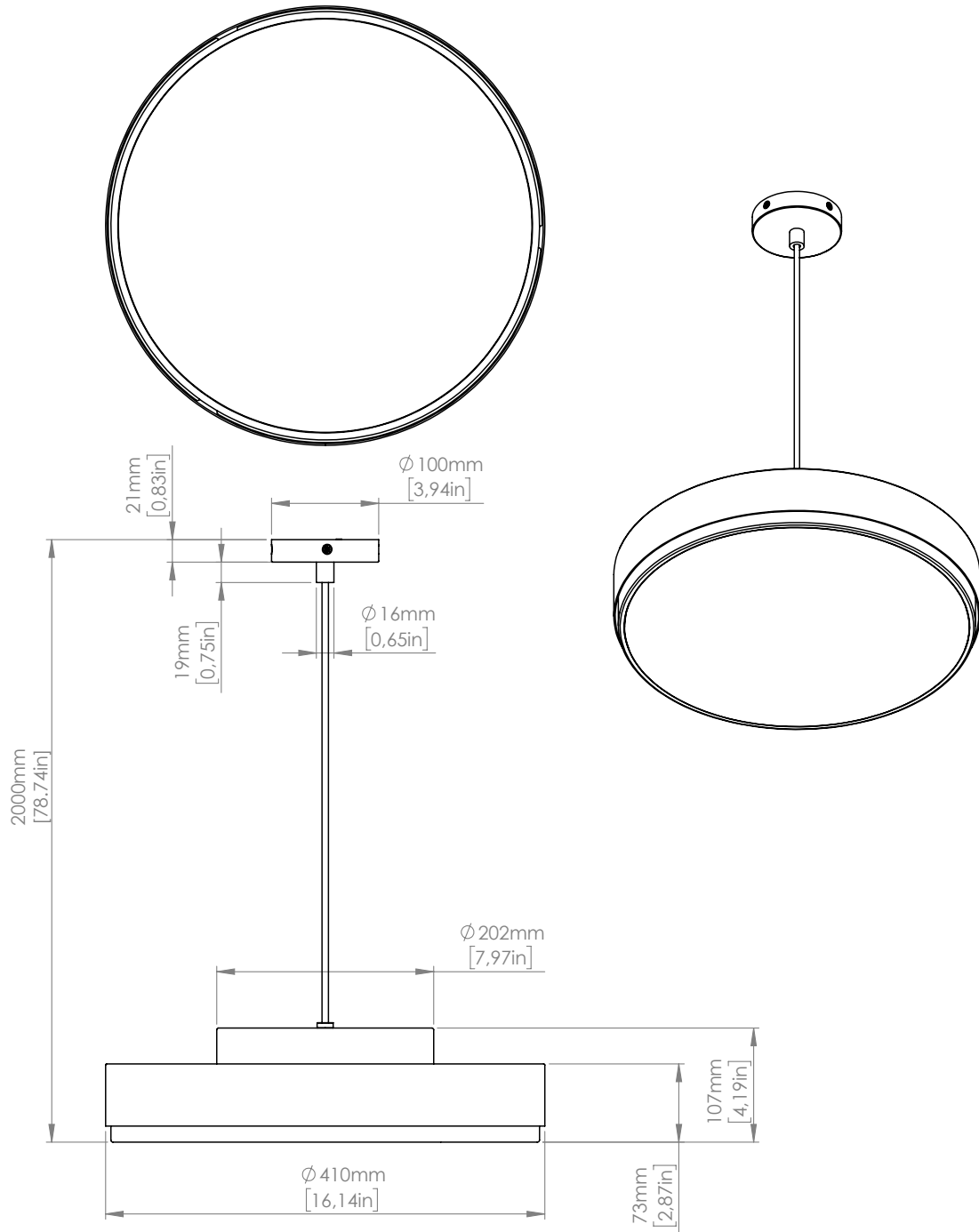
SO / AP / PL LARGE

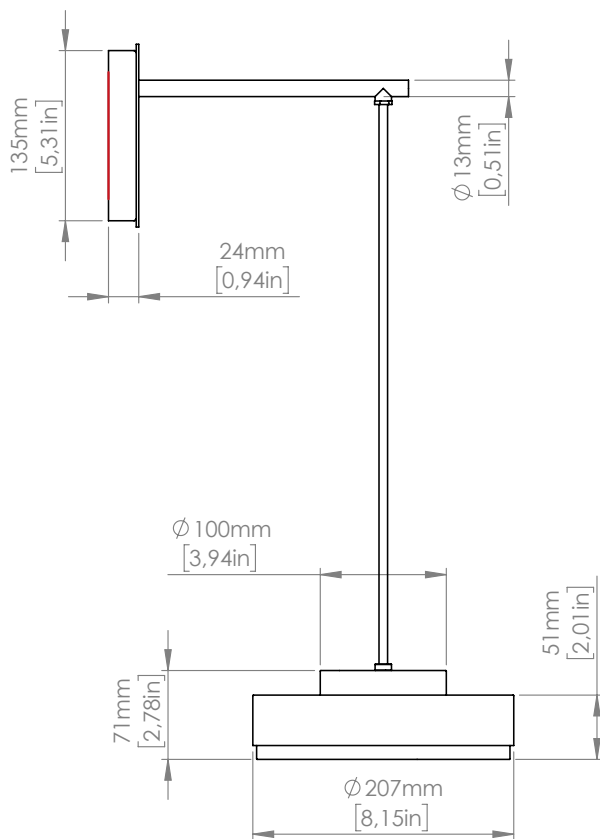
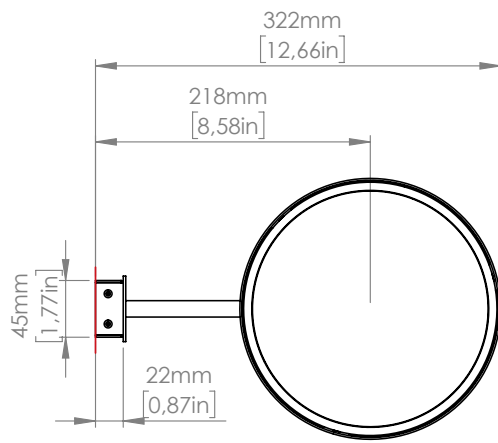
1 x 36W
LED module
Emission: 6.300 Lm
2.700 K; CRI: >90
IP20

1-10V dimmable.
Phase cut dimming systems
available on request

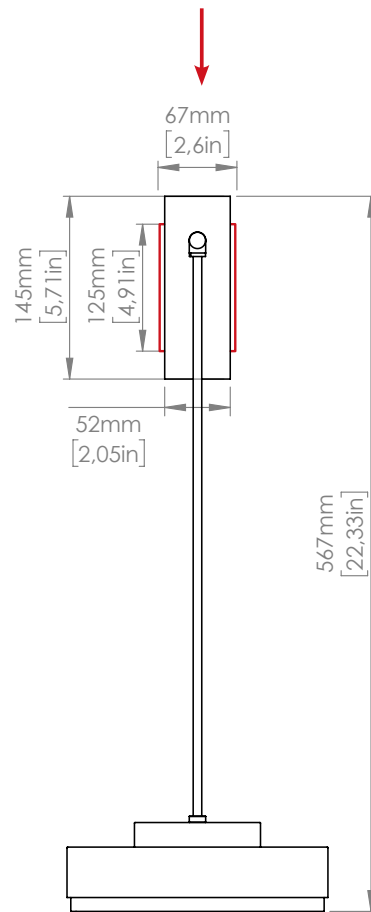


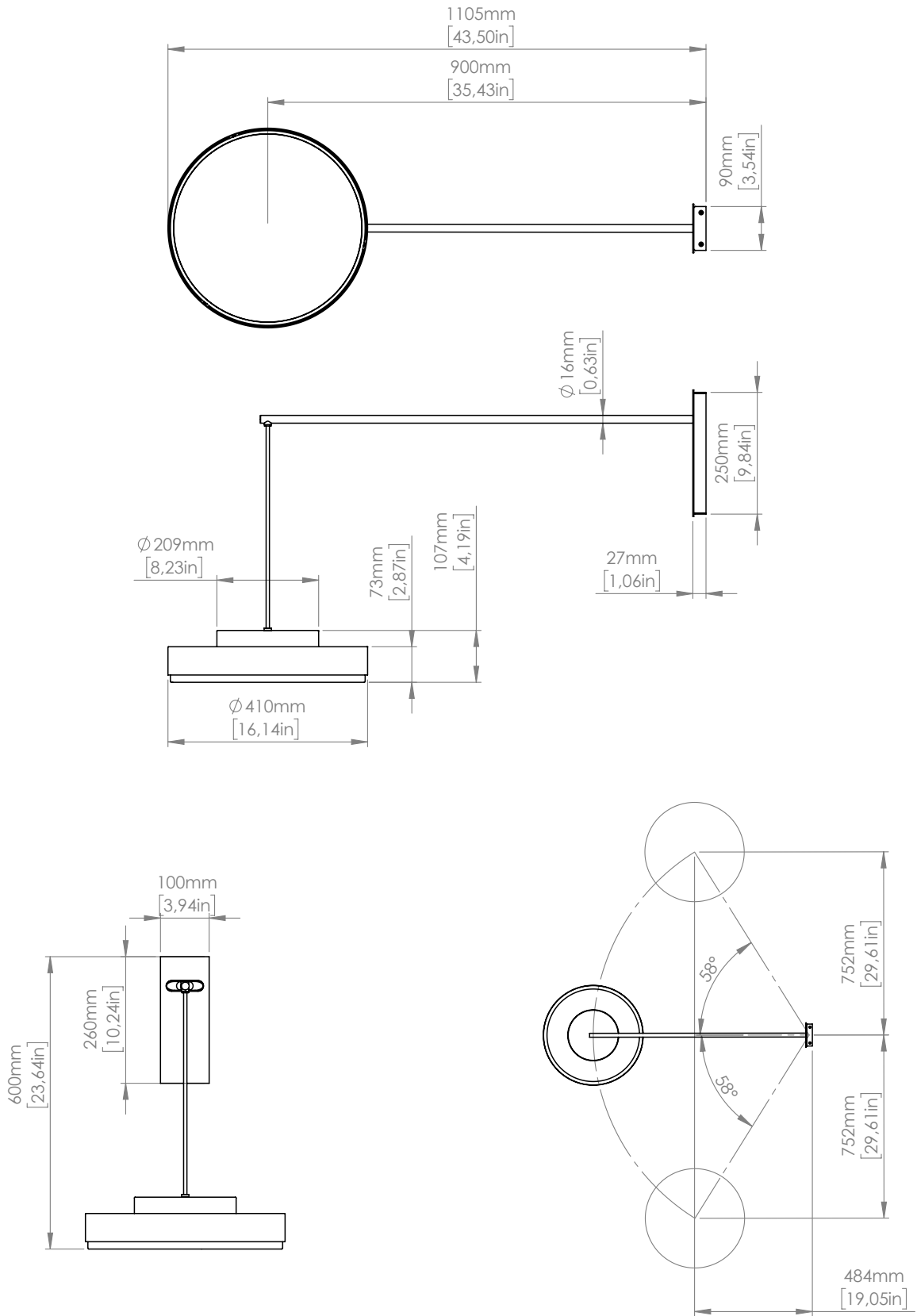


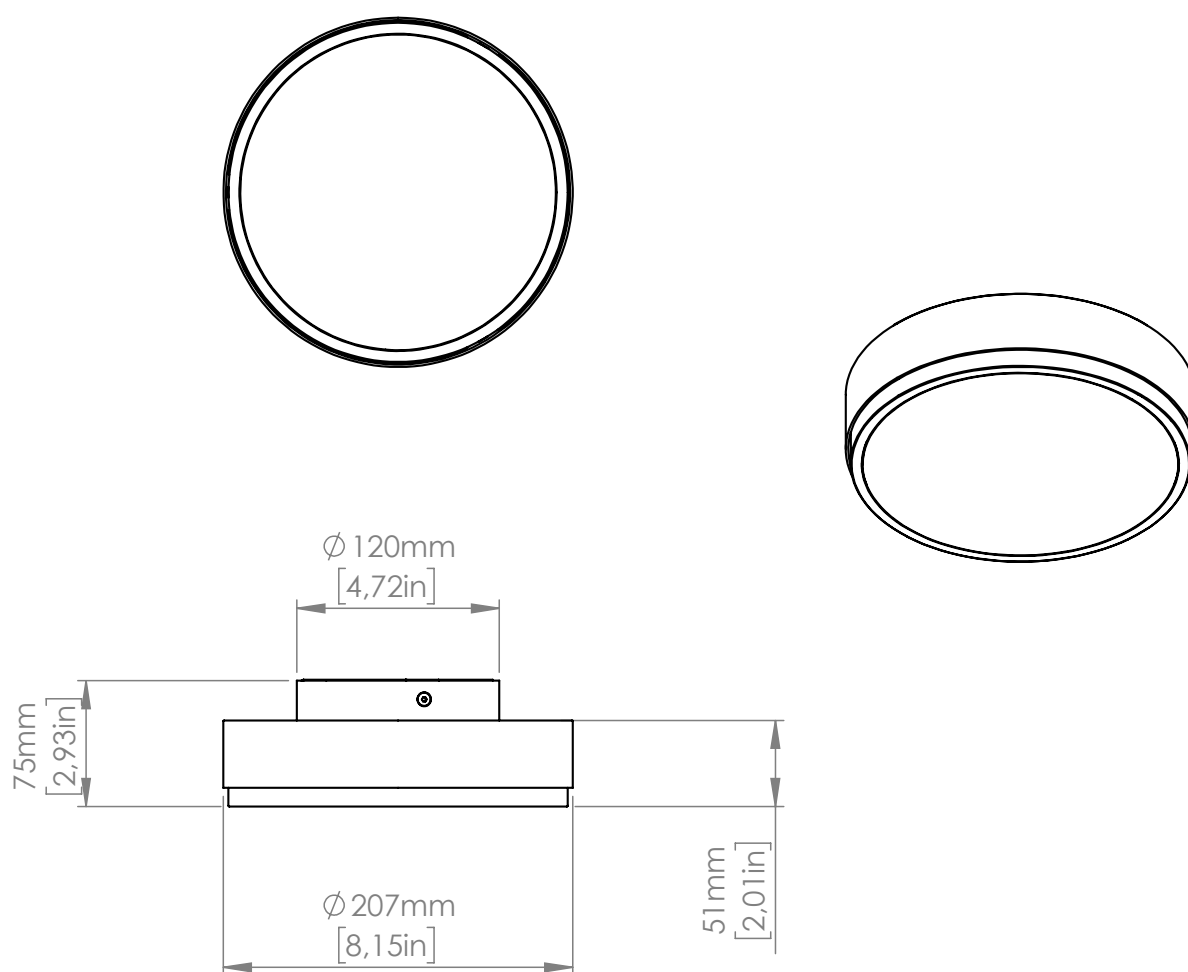


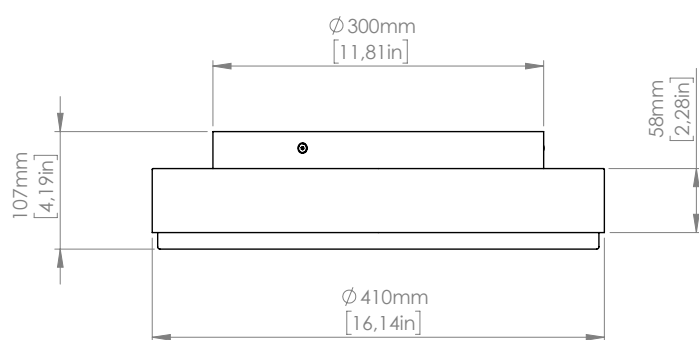
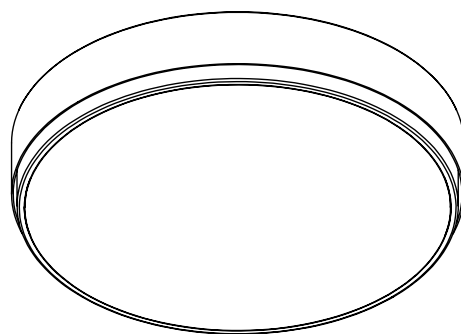
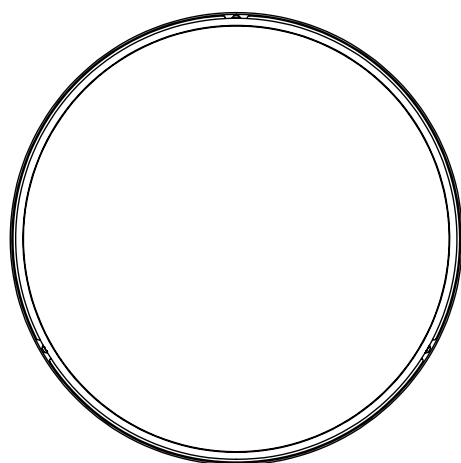


Supplied with rectangular plate to cover junction box









Copyright and/or design rights subsist in this drawing. No part of this drawing may be reproduced in any material form (including photocopying or storing in any medium electronic means, whether or not intentionally and whether or not as part or a larger publication) without the express permission of the copyright owner, Contardi Lighting S.r.l.. Further and without prejudice to the above, this drawing and all information relating thereto is confidential, and shall not be communicated to a third party without the consent of Contardi lighting srl. Contardi lighting srl asserts all rights to be identified as the author of the work and otherwise.

WARNING: The doing of any unauthorised act in relation to a copyright work may result in both a civil claim for damages and criminal prosecution.

CONTARDI LIGHTING Srl

ITALY HEADQUARTERS

contardi-italia.com / sales@contardi-italia.it

CONTARDI USA Inc

USA BRANCH

contardi-usa.com / office@contardi-usa.com

