

# Fly ap

Massimiliano Raggi



AP



AP REMOTE



VELA ACCESSORY



PICTURE



*A decisive statement, this lighting bar emits a line of brightness that illuminates and delights. Fly is a versatile lamp that can be used in different rooms of the house, or in the commercial and hospitality sectors.*

*Fly's light bar, thanks to the "vela" accessory, is delicately shaded by a textile diffuser in either white cotton or Calacatta marble-*

*effect fabric. Fly Remote/Wall-mounted provides double light emission, direct and indirect.*

*Fly Picture is offered in the 60 cm and 90 cm length versions, to cover larger surfaces. Suitable for use in the bathroom, above mirrors, it has IP44 protection. The light bar can be angled from 0 to 70 degrees, for customised lighting.*

## PRODUCT SPECIFICS

p.2

FLY AP

p.3

FLY AP REMOTE

p.4

FLY AP / AP REMOTE - VELA ACCESSORY

p.5

FLY PICTURE L.60

p.6

FLY PICTURE L.90

p.7

**FRAME**



Satin golden nickel finish



Brushed bronze-nickel



Anthracite



Satin copper (picture)

**VELA ACCESSORY FLY AP / AP REMOTE**



White cotton 800



White Calacatta marble printed fabric

**LIGHT SOURCE**

**110V**



Strip LED

**AP / AP REMOTE  
DOUBLE EMISSION**

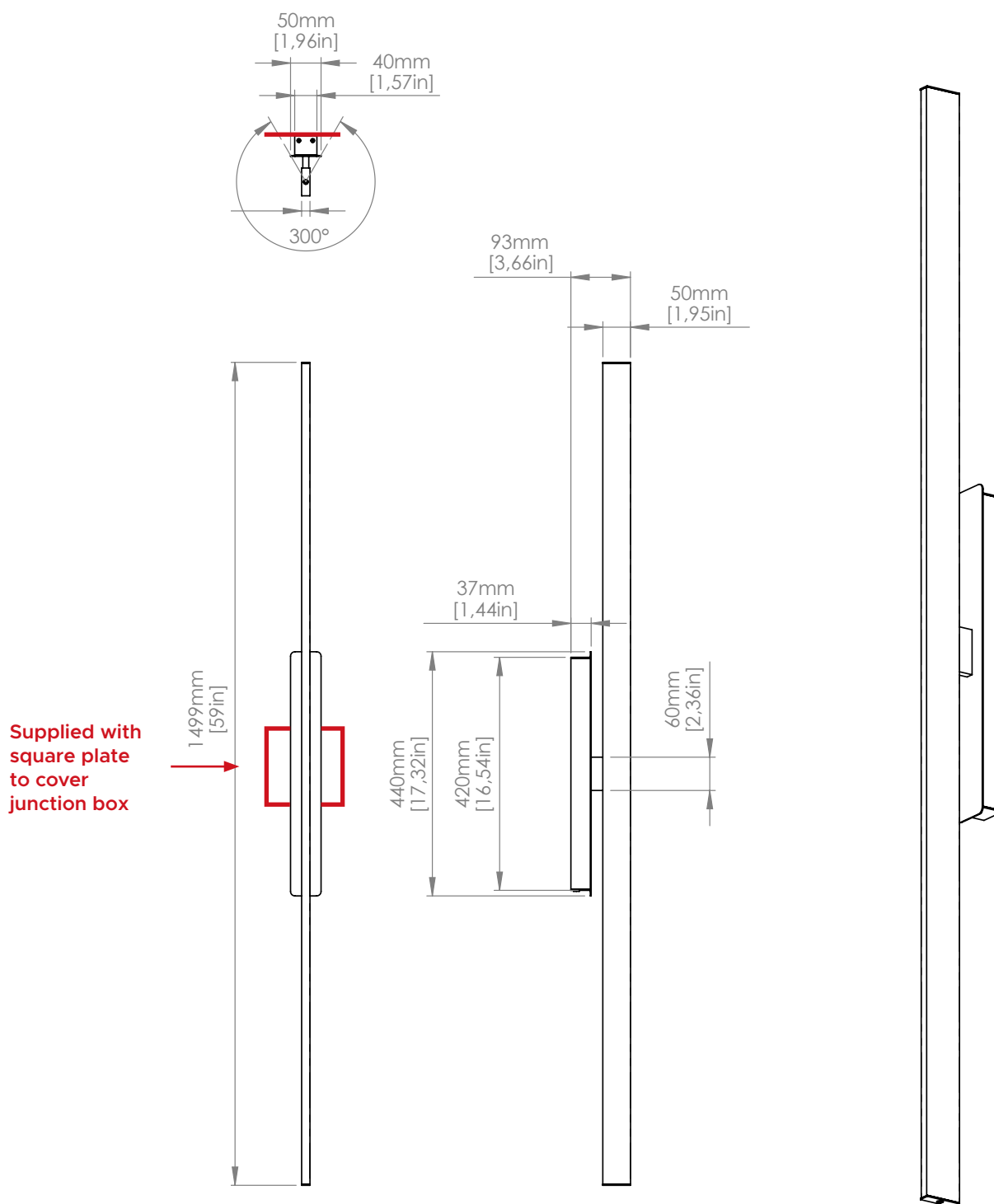
Upper:  
1 x 21W  
Strip LED  
2.700 K; CRI: >90  
IP20

Back:  
2 x 14W  
Strip LED  
2.700 K; CRI: >90  
IP20

**PICTURE L.60**  
1 x 11.5W  
Strip LED  
2.700 K; CRI: >90  
IP44

**PICTURE L.90**  
1 x 17.5W  
Strip LED  
2.700 K; CRI: >90  
IP44

**AP / AP REMOTE / PICTURE**  
Phase cut/Triac dimming- 1-10V dimming  
system available on demand



**PRODUCT**

**PACKAGING**

**Weight**

6.6 lbs

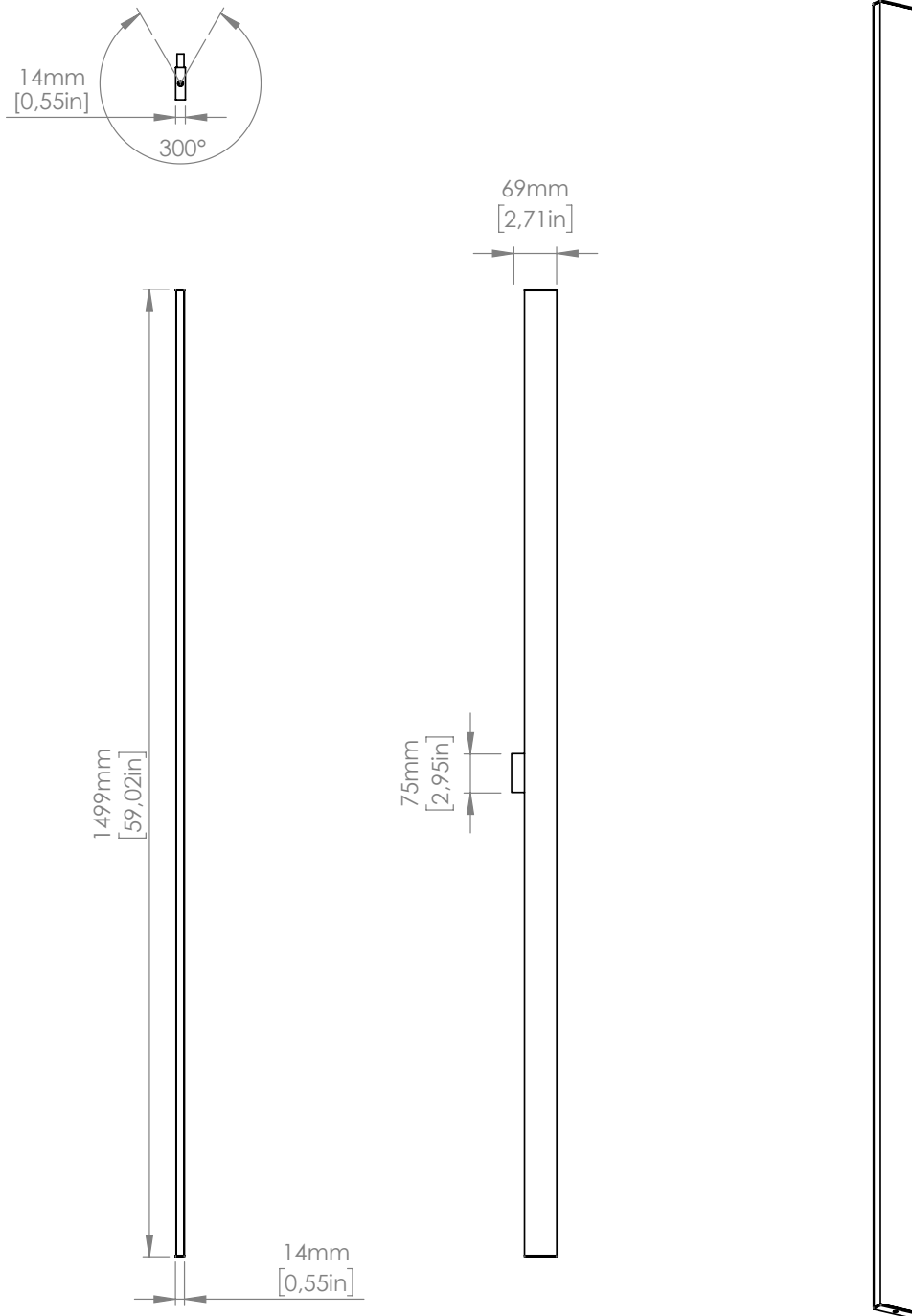
**Box 1**

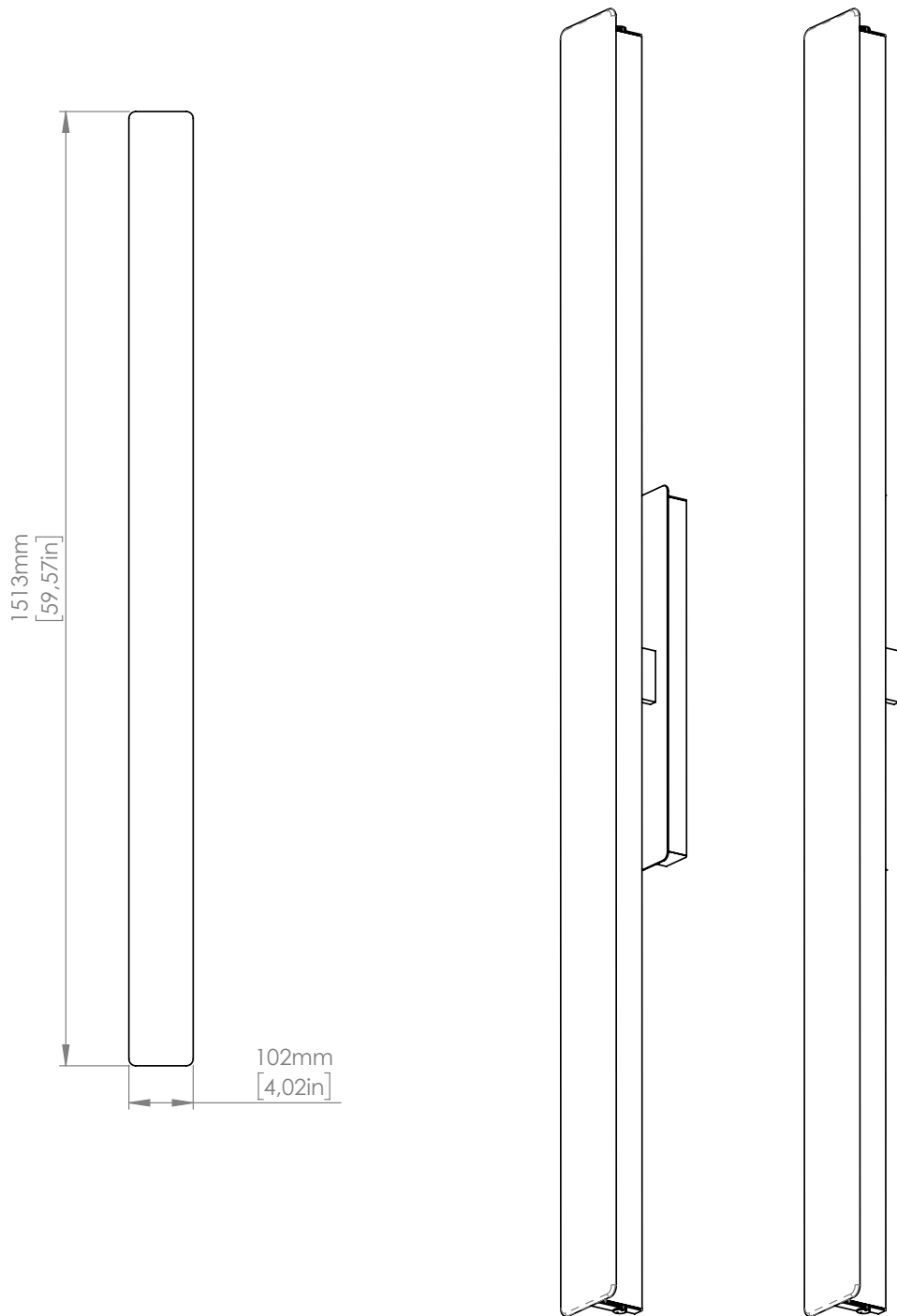
L: 63.3"

W: 9.4"

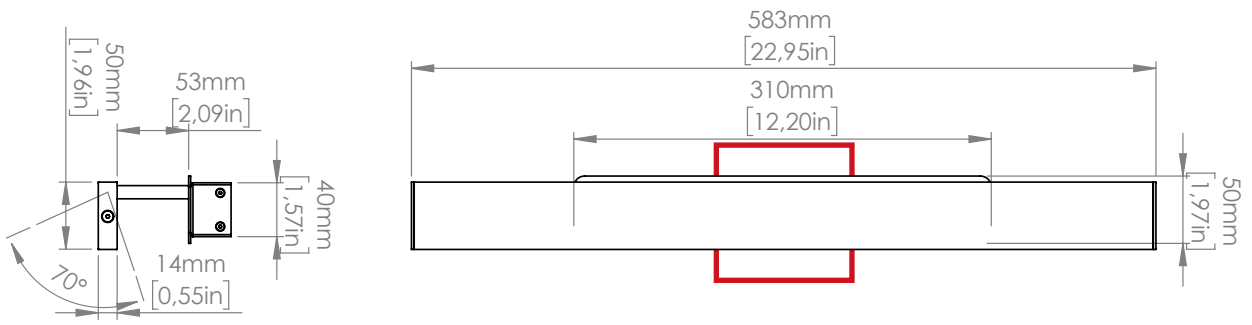
H: 3.5"

Weight: 7.7 lbs

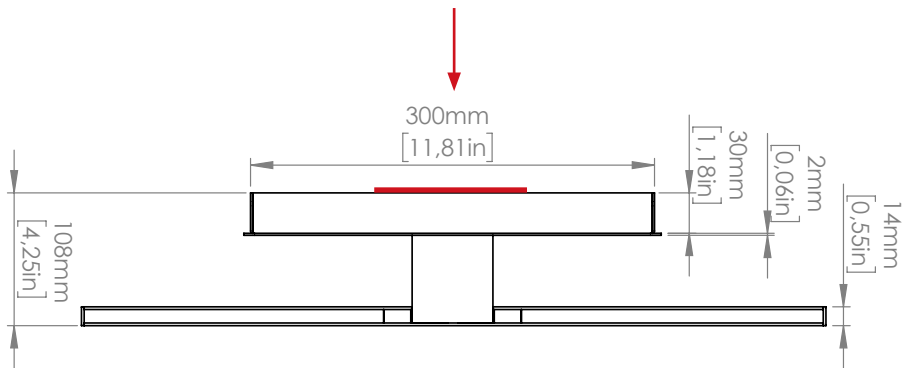




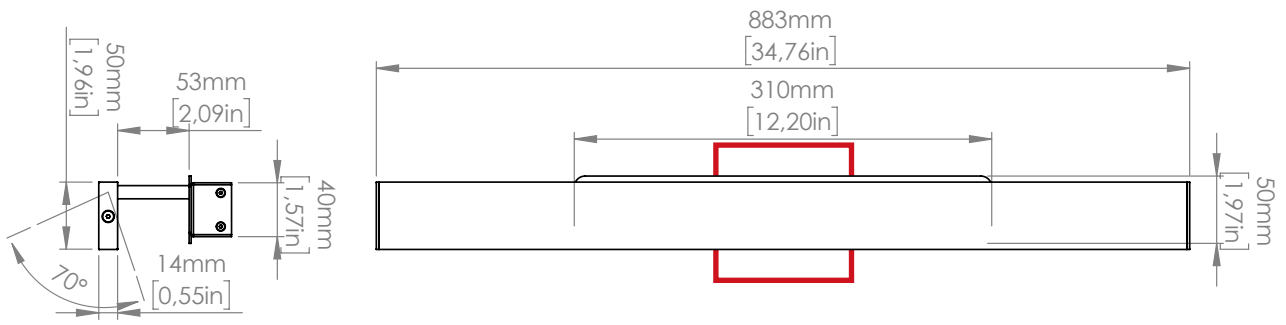
PRODUCT	PACKAGING
<b>Weight</b> 1.3 lbs	<b>Box 1</b> L: 66.9" W: 4.7" H: 4.3" Weight: 2.8 lbs



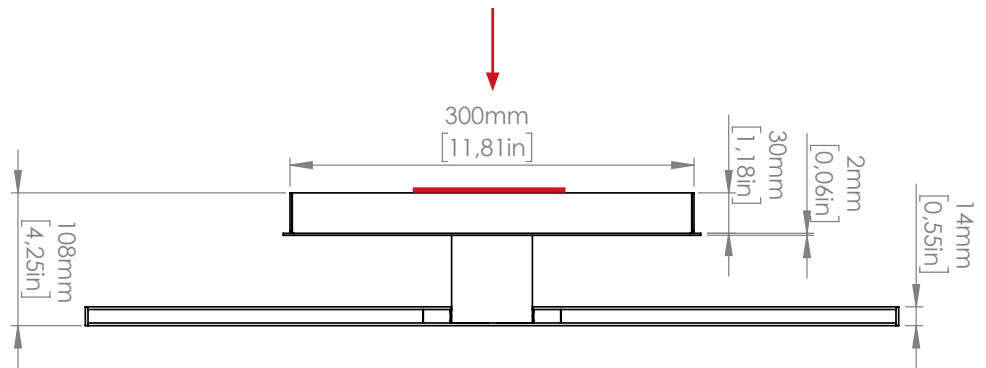
Supplied with square plate to cover junction box



PRODUCT	PACKAGING
<b>Weight</b> 3.3 lbs	<b>Box 1</b> L: 25.6" W: 7.3" H: 3.1" Weight: 4.4 lbs



Supplied with square plate to cover junction box



PRODUCT	PACKAGING
<b>Weight</b> 5.5 lbs	<b>Box 1</b> L: 39.3" W: 7.3" H: 3.1" Weight: 6.6 lbs

Copyright and/or design rights subsist in this drawing. No part of this drawing may be reproduced in any material form (including photocopying or storing in any medium electronic means, whether or not intentionally and whether or not as part or a larger publication) without the express permission of the copyright owner, Contardi Lighting S.r.l.. Further and without prejudice to the above, this drawing and all information relating thereto is confidential, and shall not be communicated to a third party without the consent of Contardi lighting srl. Contardi lighting srl asserts all rights to be identified as the author of the work and otherwise.

WARNING: The doing of any unauthorised act in relation to a copyright work may result in both a civil claim for damages and criminal prosecution.

---

**CONTARDI LIGHTING Srl**

ITALY HEADQUARTERS

contardi-italia.com / sales@contardi-italia.it

**CONTARDI USA Inc**

USA BRANCH

contardi-usa.com / office@contardi-usa.com