

Fly so

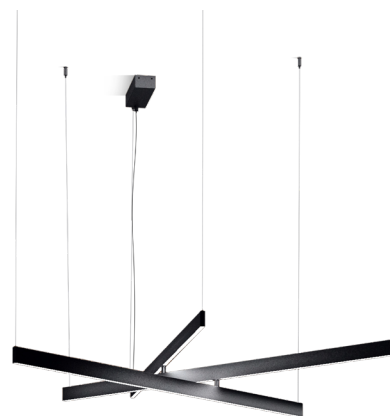
Massimiliano Raggi



SO



LINEAR



MULTIPLE



A decisive statement, this lighting bar emits a line of brightness that illuminates and delights. Fly is a versatile lamp that can be used in different rooms of the house, or in the commercial and hospitality sectors. Fly so's light bar, is delicately shaded by a textile diffuser in either white cotton or Calacatta marble-effect fabric. In the Fly Linear suspension version, it is supplied

without accessories and provides double light emission (above and below). The Fly Multiple suspension version allows you to orient and position the arms to create different compositions, and provides double light emission (above and below) for both direct and ambient lighting.

PRODUCT SPECIFICS

FLY SO L.120
FLY SO L.120 LINEAR
FLY SO L.170
FLY SO L.170 LINEAR
FLY SO MULTIPLE

p.2

p.4

p.5

p.6

p.7

p.8

FRAME



Satin golden nickel finish



Brushed bronze-nickel



Anthracite

VELA ACCESSORY FLY SO



White cotton 800



White Calacatta marble printed fabric



LIGHT SOURCE

110V



Strip LED

SO L.120 / L.120 LINEAR
DOUBLE EMISSION

Upper:
1 x 23W
Strip LED
2.700 K; CRI: >90
IP20

Lower:
1 x 17W
Strip LED
2.700 K; CRI: >90
IP20

SO L.170 / L.170 LINEAR
DOUBLE EMISSION

Upper:
1 x 33W
Strip LED
2.700 K; CRI: >90
IP20

Lower:
1 x 24W
Strip LED
2.700 K; CRI: >90
IP20

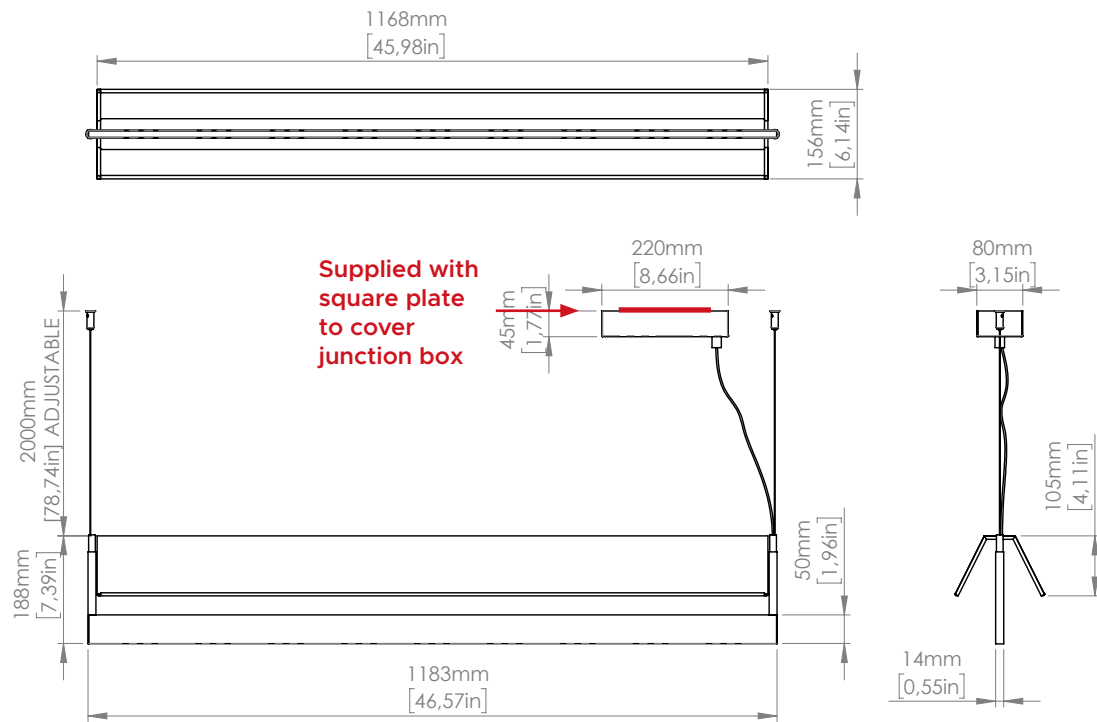
SO MULTIPLE

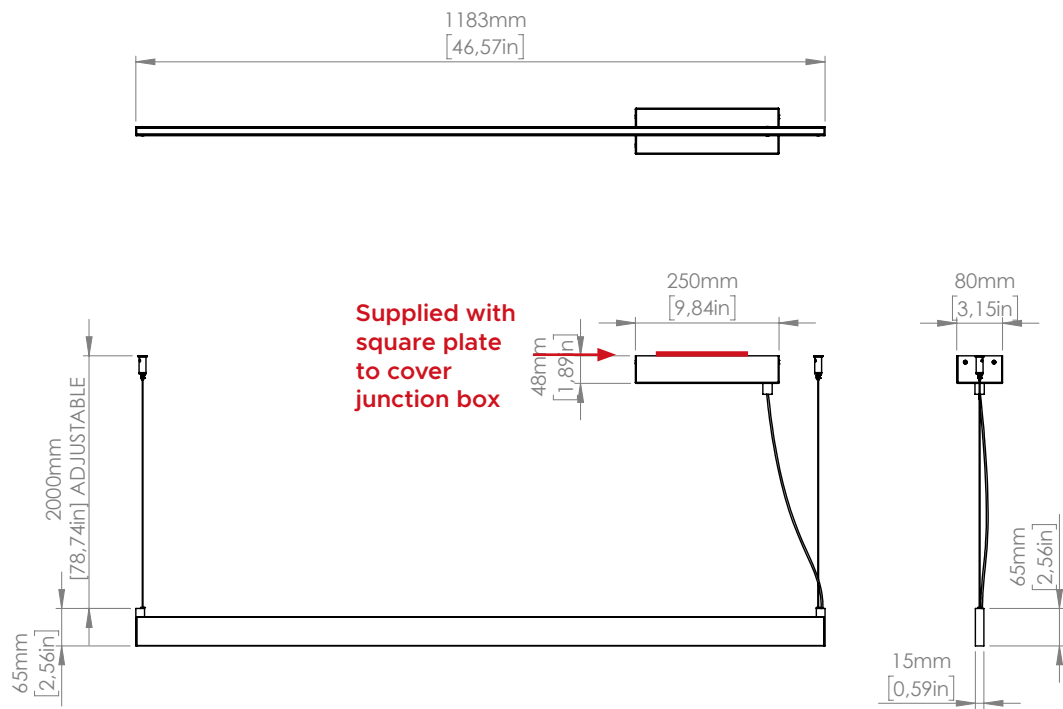
1 x 42W
Strip LED
2.700 K; CRI: >90
IP20

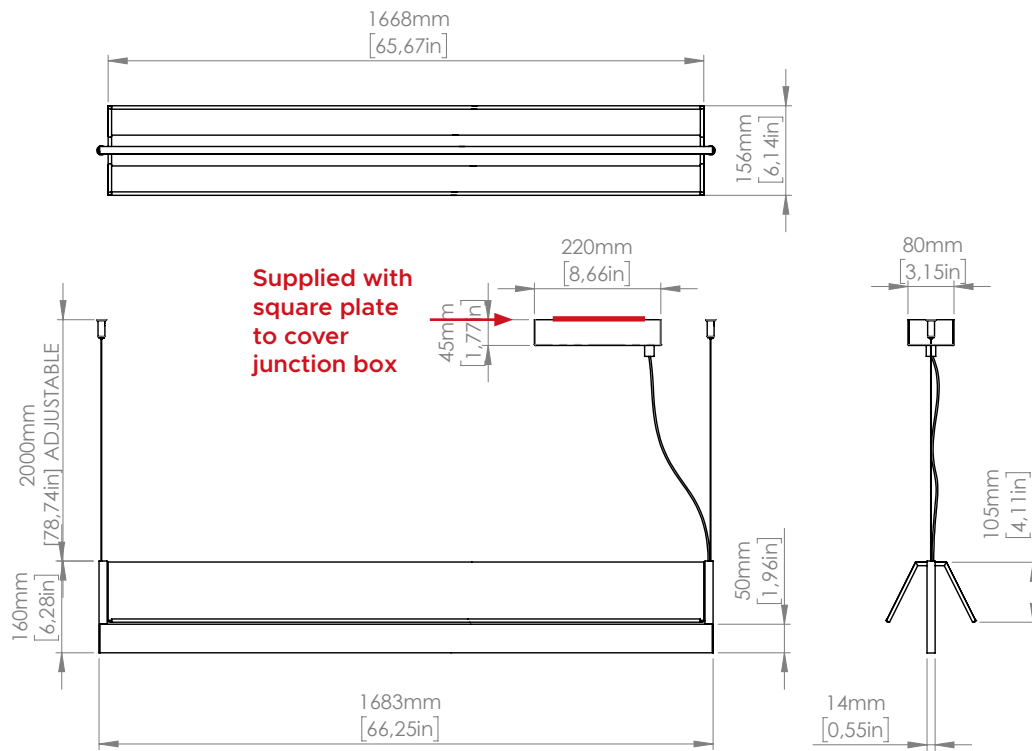
Lower:
1 x 90W
Strip LED
2.700 K; CRI: >90
IP20

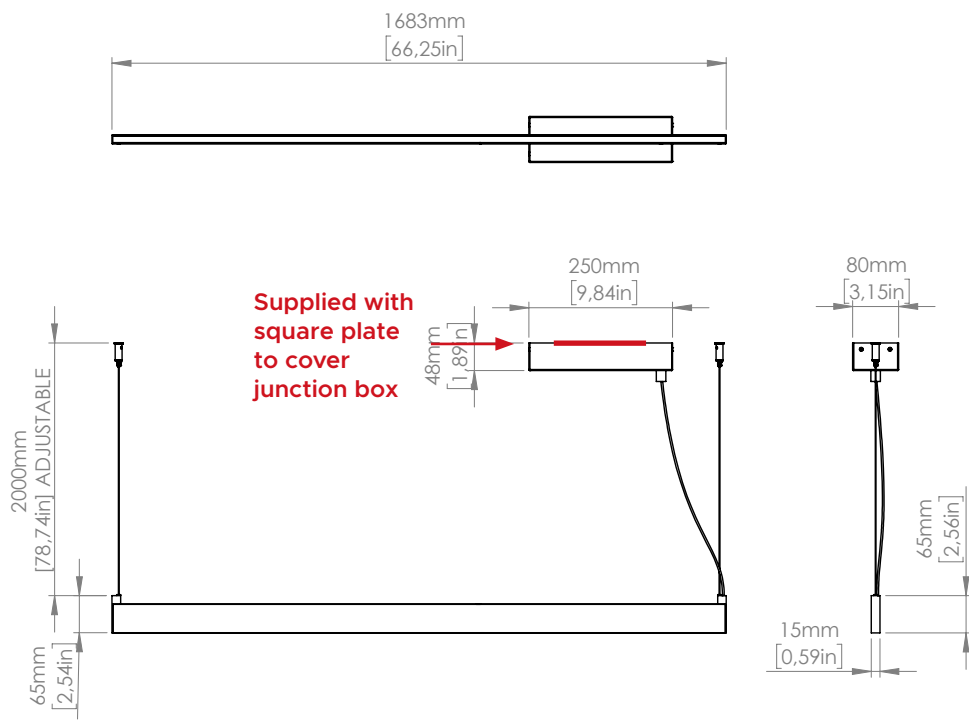
SO

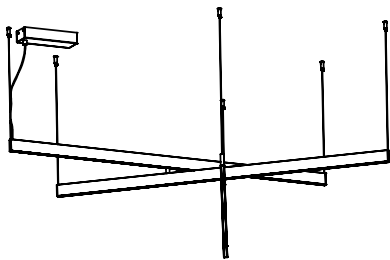
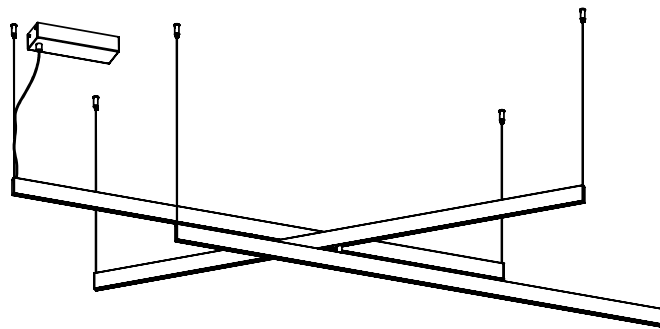
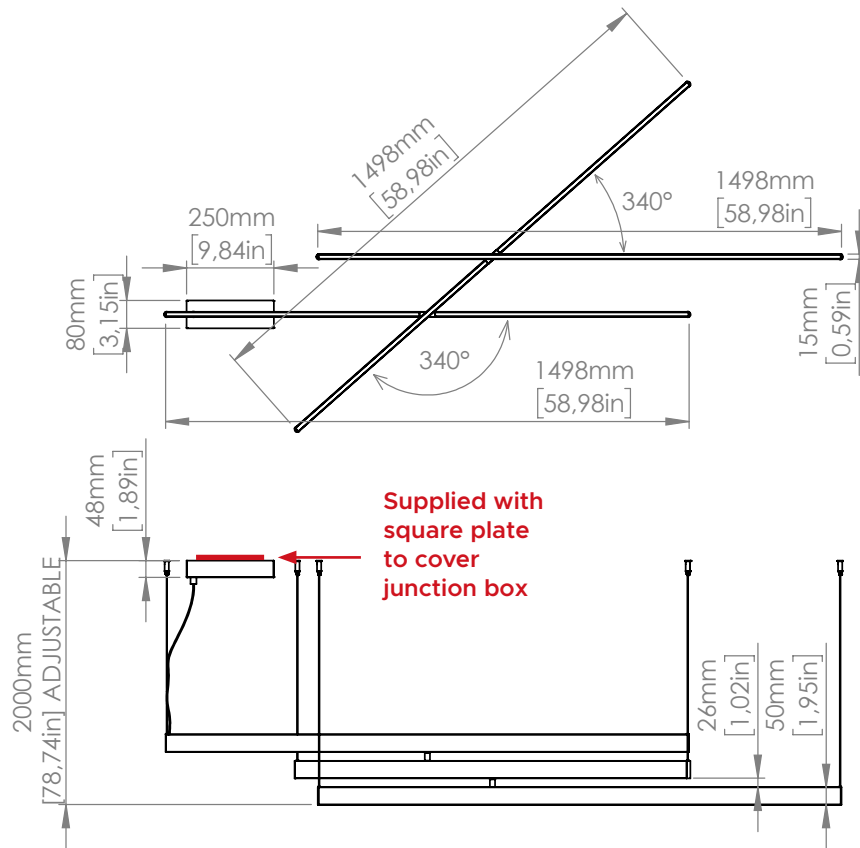
Phase cut/Triac dimming - 1-10V dimming
systems available on demand











Copyright and/or design rights subsist in this drawing. No part of this drawing may be reproduced in any material form (including photocopying or storing in any medium electronic means, whether or not intentionally and whether or not as part or a larger publication) without the express permission of the copyright owner, Contardi Lighting S.r.l.. Further and without prejudice to the above, this drawing and all information relating thereto is confidential, and shall not be communicated to a third party without the consent of Contardi lighting srl. Contardi lighting srl asserts all rights to be identified as the author of the work and otherwise.

WARNING: The doing of any unauthorised act in relation to a copyright work may result in both a civil claim for damages and criminal prosecution.

CONTARDI LIGHTING Srl

ITALY HEADQUARTERS

contardi-italia.com / sales@contardi-italia.it

CONTARDI USA Inc

USA BRANCH

contardi-usa.com / office@contardi-usa.com

