

# Calypso so xl

Servomoto



ANTIGUA



GUADALOUPE



MARTINIQUE



Calypso si allarga con le sospensioni in formato XL, dalle medesime caratteristiche delle versioni standard. Disponibile nelle tre famose combinazioni Antigua Mint, Guadeloupe Sale e Pepe e Martinique Yellow, su richiesta è possibile avere anche le altre colorazioni della collezione Calypso SO.

*Calypso family grows with the suspensions in XL format, with the same characteristics as the standard versions. Available in the three famous combinations Antigua Mint, Guadeloupe Sale e Pepe and Martinique Yellow, on request it is also possible to order the other colours of Calypso SO collection.*

SPECIFICHE PRODOTTO / PRODUCT SPECIFICS

p.2

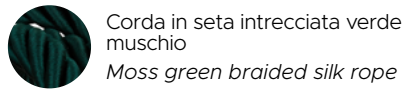
CALYPSO SO XL ANTIGUA  
CALYPSO SO XL GUADALOUPE  
CALYPSO SO XL MARTINIQUE

p.3

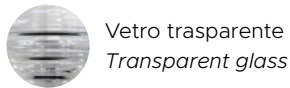
p.4

p.5

**STRUTTURA / FRAME**



**DIFFUSORE E PARALUME / DIFFUSER AND SHADE**



ANTIGUA



Mint

GUADALOUPE



Sale e pepe

MARTINIQUE



Yellow

**NOTE:**

1. Tessuti ignifughi: CLASSE UNO IM - BS EN 1021.1:2006 CIGARETTE TEST - BS EN 1021.2:2006 BUTANE FLAME TEST - NPFA 260:CLASS 1 IMO A0652(16) - CIGARETTE TEST AND BUTANE TEST  
2. Possibilità di regolare l'altezza del cordone. Consultare le istruzioni di montaggio per le informazioni dettagliate.

**NOTES:**

1. Fire-resistant fabrics: CLASSE UNO IM - BS EN 1021.1:2006 CIGARETTE TEST - BS EN 1021.2:2006 BUTANE FLAME TEST - NPFA 260:CLASS 1 IMO A0652(16) - CIGARETTE TEST AND BUTANE TEST  
2. Adjustable rope length. Refer to the installation instructions.

**CAVO / CABLE**

Seta intrecciata verde muschio  
*Moss green braided silk*

**SO**

H: 2000 mm  
H: 78.7"

**FONTE LUMINOSA / LIGHT SOURCE**

**220-240V**



E27 LED

1 x 14W E27  
Lampadina LED  
*LED light bulb*

Compatibile con sistemi di controllo remoto in caso di lampadine LED dimmerabili

*Compatible with remote control systems when dimmable LED bulbs are used*



**110V**

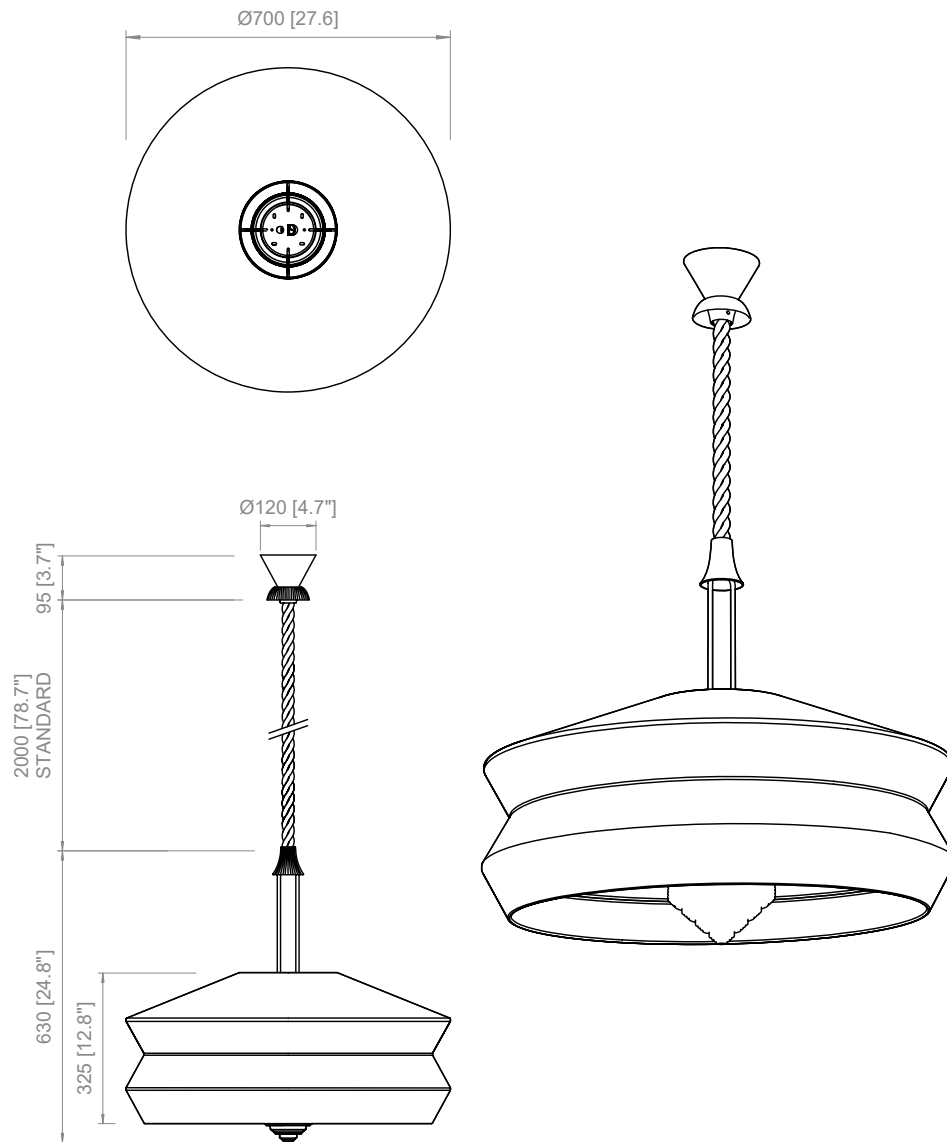


E26 LED

1 x 14W E26  
LED light bulb

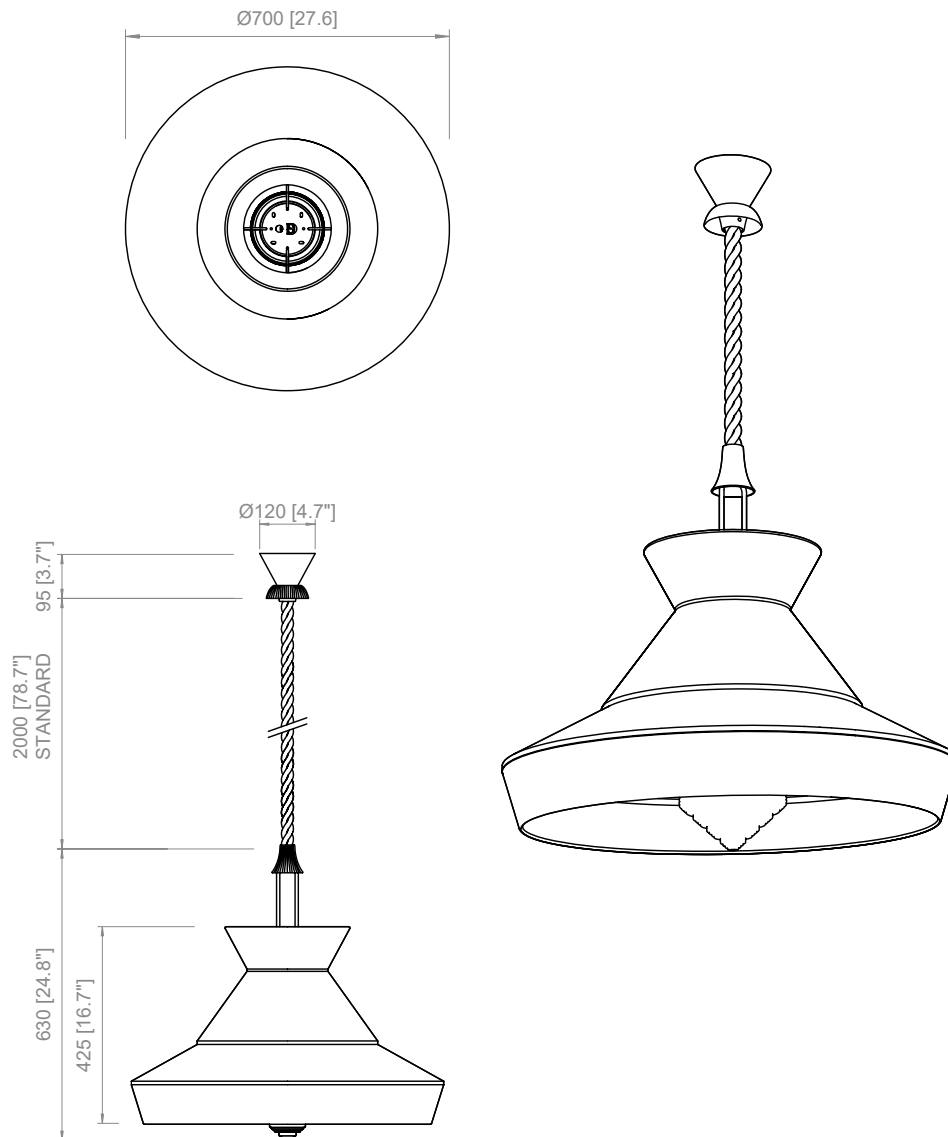
Compatible with remote control systems when dimmable LED bulbs are used





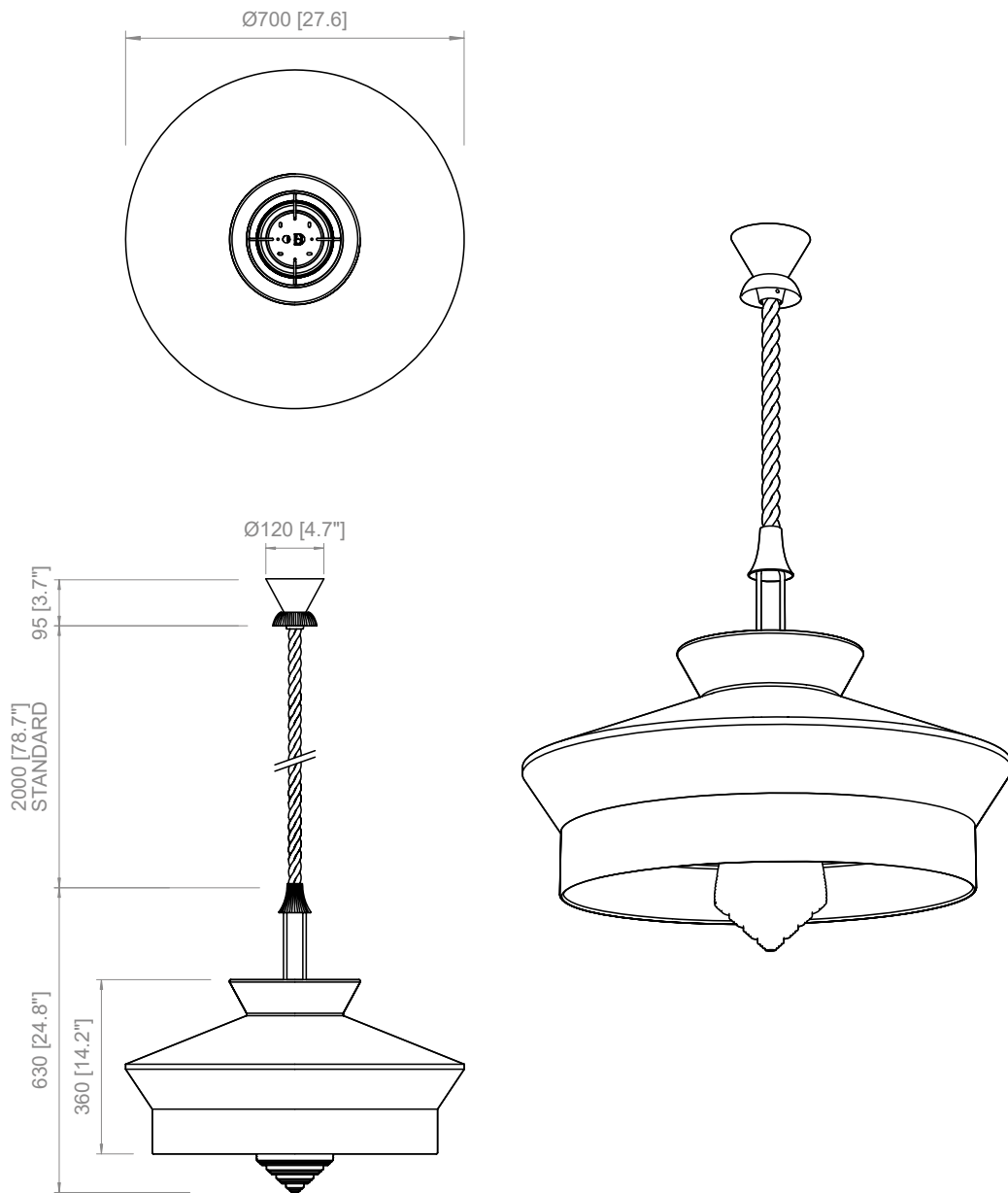
**IMBALLI / PACKAGING**

Box 1	Box 2
L: 550 mm / 21.6"	L: 760 mm / 29.9"
P: 240 mm / 9.4"	P: 760 mm / 29.9"
H: 300 mm / 11.8"	H: 450 mm / 17.7"
Peso: 3.5 kg / 7.7 lbs	Peso: 7 kg / 15.4 lbs



**IMBALLI / PACKAGING**

Box 1	Box 2
L: 550 mm / 21.6"	L: 760 mm / 29.9"
P: 240 mm / 9.4"	P: 760 mm / 29.9"
H: 300 mm / 11.8"	H: 450 mm / 17.7"
Peso: 3.5 kg / 7.7 lbs	Peso: 7 kg / 15.4 lbs



**IMBALLI / PACKAGING**

Box 1	Box 2
L: 550 mm / 21.6"	L: 760 mm / 29.9"
P: 240 mm / 9.4"	P: 760 mm / 29.9"
H: 300 mm / 11.8"	H: 450 mm / 17.7"
Peso: 3.5 kg / 7.7 lbs	Peso: 7 kg / 15.4 lbs

Copyright and/or design rights subsist in this drawing. No part of this drawing may be reproduced in any material form (including photocopying or storing in any medium electronic means, whether or not intentionally and whether or not as part or a larger publication) without the express permission of the copyright owner, Contardi Lighting S.r.l.. Further and without prejudice to the above, this drawing and all information relating thereto is confidential, and shall not be communicated to a third party without the consent of Contardi lighting srl. Contardi lighting srl asserts all rights to be identified as the author of the work and otherwise.

WARNING: The doing of any unauthorised act in relation to a copyright work may result in both a civil claim for damages and criminal prosecution.

---

**CONTARDI LIGHTING Srl**

ITALY HEADQUARTERS

[www.contardi-italia.com](http://www.contardi-italia.com) / [sales@contardi-italia.it](mailto:sales@contardi-italia.it)

**CONTARDI USA Inc**

USA BRANCH

[www.contardi-usa.com](http://www.contardi-usa.com) / [sales@contardi-usa.com](mailto:sales@contardi-usa.com)

