

Calypso so

Servomoto



ANTIGUA



GUADALOUPE



MARTINIQUE



Calypso è una collezione di sospensioni ispirate al periodo dell'art deco, con tessuti le cui trame e decori geometrici bianchi e neri si mischiano con colori vivaci della cultura sudamericana e tropicale, fornendo un risultato molto originale. La versione da interno è caratterizzata dal cordone in seta intrecciata di color verde muschio. Il supporto è un anello in ottone satinato. Il diffusore è in vetro trasparente.

Calypso is a collection of suspensions inspired by the art deco period, with fabrics whose textures and white and black geometric patterns mix with bright colours of South American and tropical culture, providing a very original result. The indoor version is characterised by a green braided silk rope. The metal support is a satin brass finished ring. The diffuser is in transparent glass.

SPECIFICHE PRODOTTO / PRODUCT SPECIFICS

CALYPSO SO ANTIGUA
CALYPSO SO GUADALOUPE
CALYPSO SO MARTINIQUE

p.2

p.4
p.5
p.6

STRUTTURA / FRAME



Ottone satinato
Satin brass



Corda in seta intrecciata verde muschio
Moss green braided silk rope

DIFFUSORE E PARALUME / *DIFFUSER AND SHADE*



Vetro trasparente
Transparent glass

ANTIGUA



Black



Sale e pepe



Mint

GUADALOUPE



Black



Sale e pepe



Mint

MARTINIQUE



Black



Building



Yellow

MANUTENZIONE E PULIZIA

TESSUTI

Contardi utilizza tessuti di alta qualità, che vengono accoppiati industrialmente a pvc che garantisce la conformità alle normative antifuoco, rendendo il paralume con cui è costruito il tessuto ignifugo.

Tessuti ignifughi: CLASSE UNO IM - BS EN 1021.1:2006 CIGARETTE TEST - BS EN 1021.2:2006 BUTANE FLAME TEST - NPFA 260:CLASS 1 IMO A0652(16) - CIGARETTE TEST AND BUTANE TEST.

MAINTENANCE AND CLEANING

FABRICS

Contardi uses high-quality fabrics, which are industrially coupled with PVC to guarantee compliance with fire-resistance regulations, making the lampshade material fireproof.

Flame retardant fabrics: CLASS UNO IM / BS EN 1021.1: 2006 CIGARETTE TEST / BS EN 1021.2: 2006 BUTANE FLAME TEST / NPFA 260: CLASS 1 IMO A0652 (16) / CIGARETTE TEST AND BUTANE TEST.

CAVO / CABLE

Seta intrecciata verde muschio
Moss green braided silk

SO

H: 2000 mm
H: 78.7"

Possibilità di regolare l'altezza del cordone.
Consultare le istruzioni di montaggio per
le informazioni dettagliate.

*Adjustable rope length.
Refer to the installation instructions.*

FONTE LUMINOSA / LIGHT SOURCE

220-240V



E27 LED

1 x 14W E27
Lampadina LED
LED light bulb
IP20

Compatibile con sistemi di controllo
remoto in caso di utilizzo di lampadine
LED dimmerabili

*Compatible with remote control systems
when dimmable LED bulbs are used*



110V

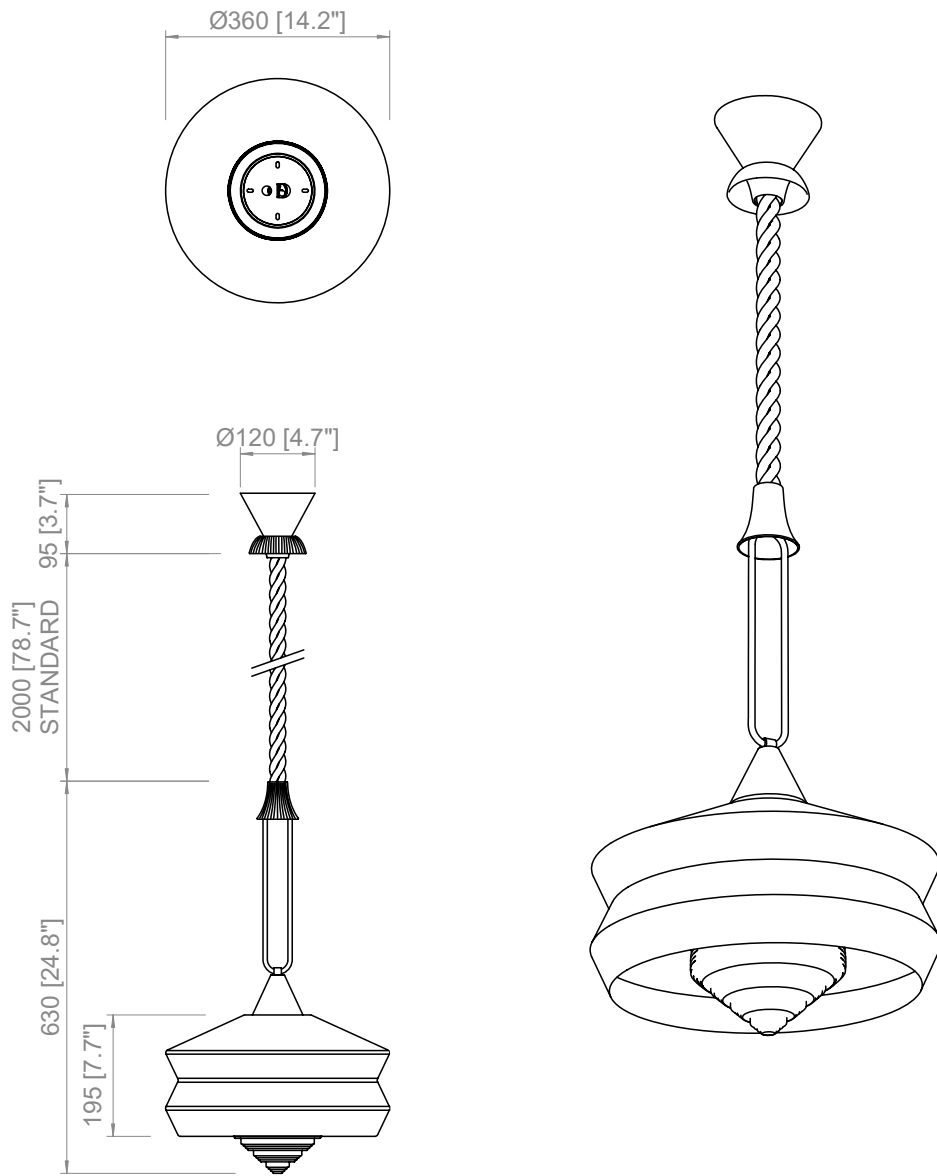


E26 LED

1 x 14W E26
LED light bulb
IP20

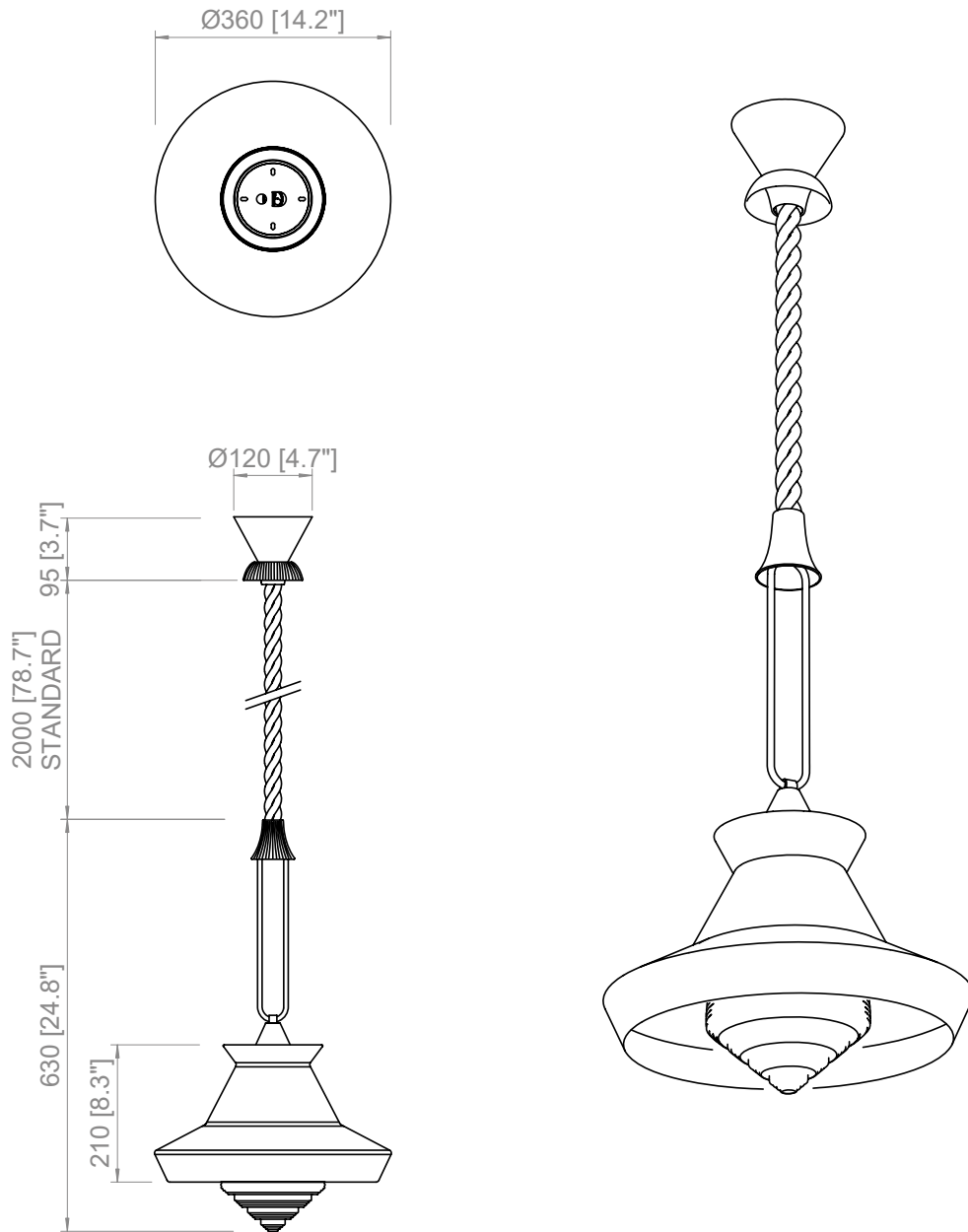
Compatible with remote control systems
when dimmable LED bulbs are used



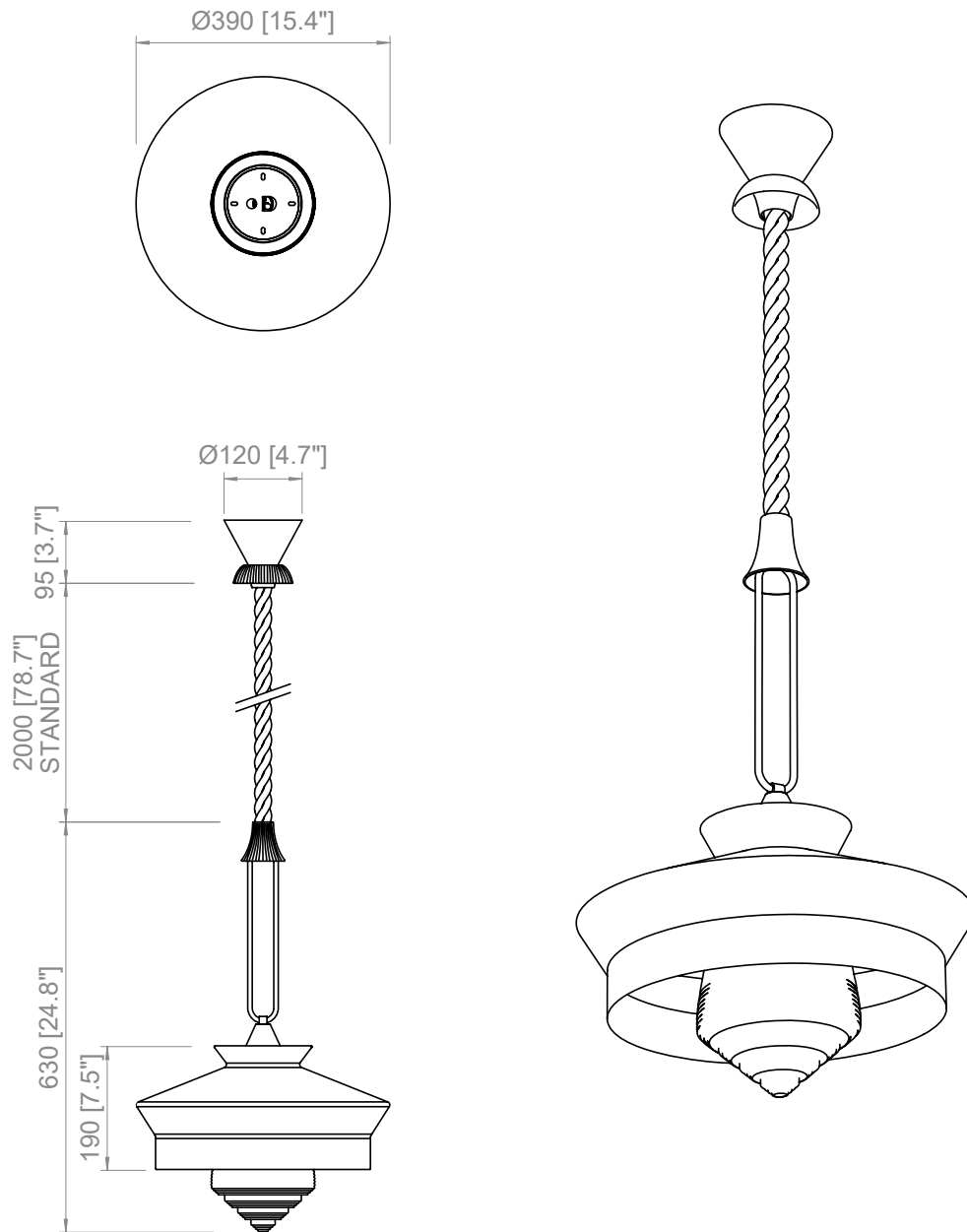


PRODOTTO / PRODUCT IMBALLI / PACKAGING

Peso-Weight	Box 1	Box 2
4 kg / 8.8 lbs	L: 550 mm / 21.6"	L: 440 mm / 17.3"
	P-W: 240 mm / 9.4"	P-W: 440 mm / 17.3"
	H: 300 mm / 11.8"	H: 240 mm / 9.4"
	Peso-Weight: 3.5 kg / 7.7 lbs	Peso-Weight: 2.5 kg / 5.5 lbs



PRODOTTO / PRODUCT	IMBALLI / PACKAGING	
Peso-Weight	Box 1	Box 2
4 kg / 8.8 lbs	L: 550 mm / 21.6"	L: 440 mm / 17.3"
	P-W: 240 mm / 9.4"	P-W: 440 mm / 17.3"
	H: 300 mm / 11.8"	H: 240 mm / 9.4"
	Peso-Weight: 3.5 kg / 7.7 lbs	Peso-Weight: 2.5 kg / 5.5 lbs



PRODOTTO / PRODUCT	IMBALLI / PACKAGING	
Peso-Weight	Box 1	Box 2
4 kg / 8.8 lbs	L: 550 mm / 21.6"	L: 440 mm / 17.3"
	P-W: 240 mm / 9.4"	P-W: 440 mm / 17.3"
	H: 300 mm / 11.8"	H: 240 mm / 9.4"
	Peso-Weight: 3.5 kg / 7.7 lbs	Peso-Weight: 2.5 kg / 5.5 lbs

Copyright and/or design rights subsist in this drawing. No part of this drawing may be reproduced in any material form (including photocopying or storing in any medium electronic means, whether or not intentionally and whether or not as part or a larger publication) without the express permission of the copyright owner, Contardi Lighting S.r.l.. Further and without prejudice to the above, this drawing and all information relating thereto is confidential, and shall not be communicated to a third party without the consent of Contardi lighting srl. Contardi lighting srl asserts all rights to be identified as the author of the work and otherwise.

WARNING: The doing of any unauthorised act in relation to a copyright work may result in both a civil claim for damages and criminal prosecution.

CONTARDI LIGHTING Srl

ITALY HEADQUARTERS

www.contardi-italia.com / sales@contardi-italia.it

CONTARDI USA Inc

USA BRANCH

www.contardi-usa.com / sales@contardi-usa.com

