

# Flexiled

King & Roselli



FL



AP L60



AP L90



Modello icona di Contardi, Flexiled è disponibile nella versione "STEEL" e nella versione "LEATHER": nella prima il braccio flessibile è ricoperto da una maglia in acciaio intrecciato poi avvolta da una guaina trasparente, nella seconda è invece inserito in un rivestimento in pelle con doppia cucitura ai lati. Flexiled è caratterizzata da alti standard qualitativi, a cominciare dall'uso di un braccio flessibile in ottone (diam. 12 mm) che garantisce solidità e assenza di cigolamento anche dopo un uso molto prolungato; un elevato livello di ingegnerizzazione e dissipazione del Led, garantiscono che la temperatura sulla testa rimanga entro i corretti limiti anche dopo 24 ore di utilizzo ininterrotto. Modello facilmente "personalizzabile" nei colori della pelle, nella lunghezza del braccio e forma e finitura della basetta a parete.

*An iconic Contardi model, Flexiled is available in "STEEL" version and in "LEATHER" version: in the first one the flexible arm is covered with a braided steel mesh, then wrapped in a transparent sheath. In the second one it is covered by leather with double stitching on the sides. Flexiled is characterised by high quality standards, starting with the use of a flexible brass arm (12 mm diameter), which guarantees solidity and absence of squeaking even after prolonged use. A high level of engineering and dissipation of the LED make sure that the temperature on the lamp head remains within the correct limits even after 24 hours of uninterrupted use. Easily "customizable" in leather colours, arm length and shape and the wall plate finish.*

## SPECIFICHE PRODOTTO / PRODUCT SPECIFICS

p.2

FLEXILED AP L60 / 90 PELLE / LEATHER

p.5

FLEXILED AP L60 / 90 PELLE / LEATHER - USA

p.6

FLEXILED AP L60 / 90 ACCIAIO - STEEL

p.7

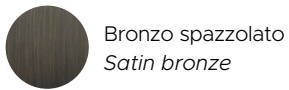
FLEXILED AP L60 / 90 ACCIAIO - STEEL - USA

p.8

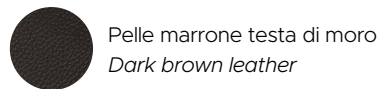
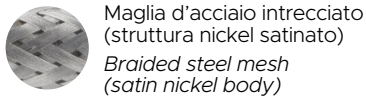
FLEXILED FL

p.9

**BASE**



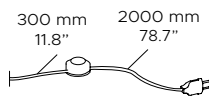
**STRUTTURA / FRAME**



**CAVO - INTERRUTTORE / CABLE - SWITCH**

**AP**  
Tessuto nero  
*Black fabric*

**FL**  
Trasparente  
Dimmerabile a piede  
*Transparent  
Dimmable with  
foot control*



L: 300 + 2000 mm  
L: 11.8" + 78.7"

**FONTE LUMINOSA / LIGHT SOURCE**

**220-240V**

 LED module

**AP**  
1 x 3W  
LED module  
Emissione / Light emission: 400 Lm  
2.700 K; CRI: >90  
IP20

**FL**  
1 x 7W  
LED module  
Emissione / Light emission: 800 Lm  
2.700 K; CRI: >90  
IP20

Spessore lente standard  
H: 5 mm (effetto diffuso)  
*Standard lens thickness  
H: 5 mm / 0.2" (flood effect)*



Disponibile lente piatta  
H: 1 mm (effetto spot)  
*Flat lens available on demand  
H: 1 mm / 0.04" (spot effect)*



 Flexiled FL

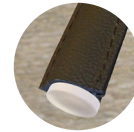
**110V**

 LED module

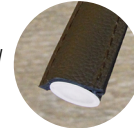
**AP**  
1 x 3W  
LED module  
Light emission: 400 Lm  
2.700 K; CRI: >90  
IP20

**FL**  
1 x 7W  
LED module  
Light emission: 800 Lm  
2.700 K; CRI: >90  
IP20

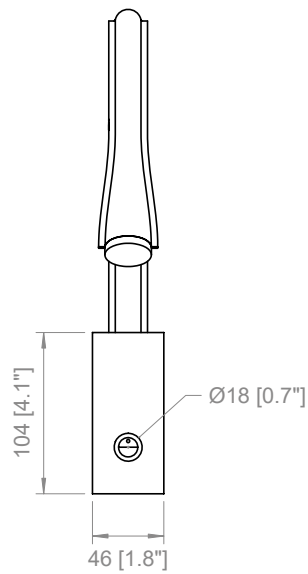
*Standard lens thickness  
H: 0.2" (flood effect)*



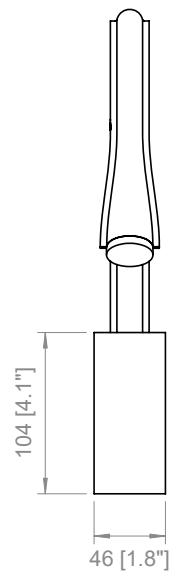
*Flat lens available on demand  
H: 0.04" (spot effect)*



**FLEXILED AP - CON O SENZA INTERRUOTTORE / WITH OR WITHOUT SWITCH**

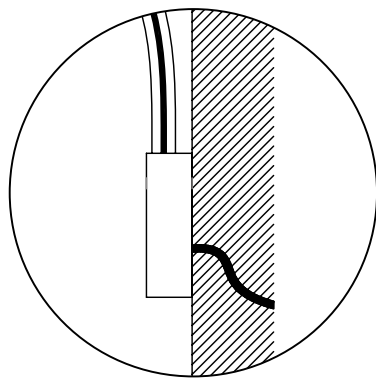


Con interruttore  
*With switch*

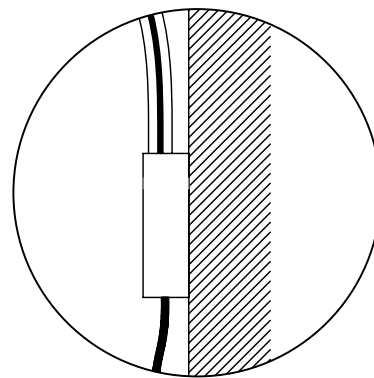


Senza interruttore  
*Without switch*

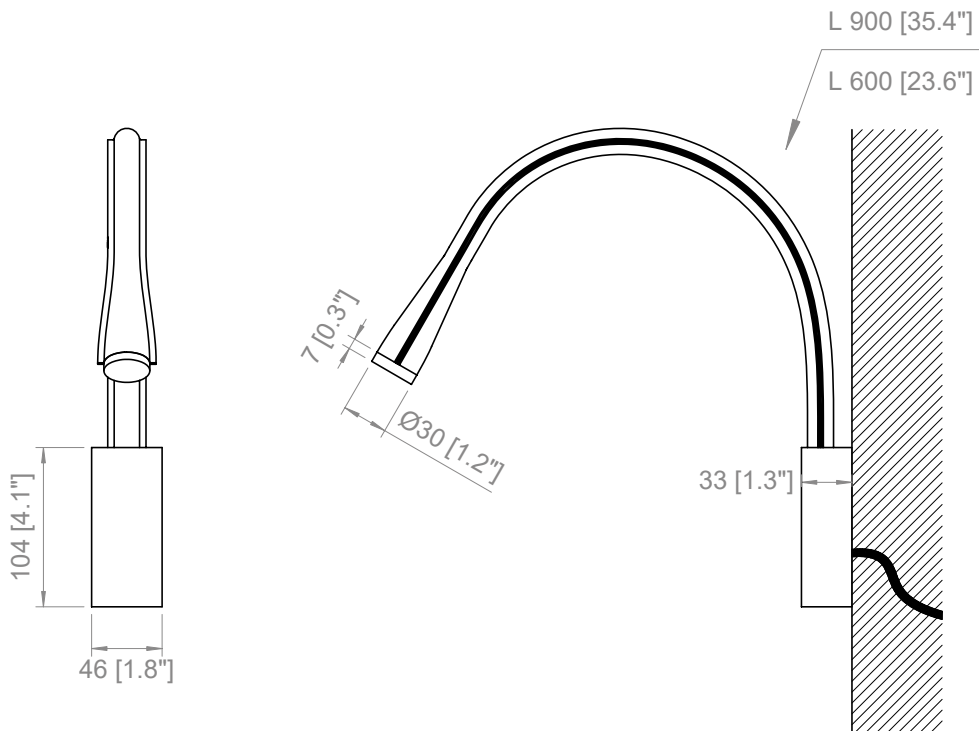
**FLEXILED AP - USCITA DEL CAVO / *CABLE OUTPUT***



Cavo nero in uscita dal retro  
*Black cable without plug*



Cavo in tessuto nero con spina  
in uscita dalla base  
*Cable (black fabric) with plug*

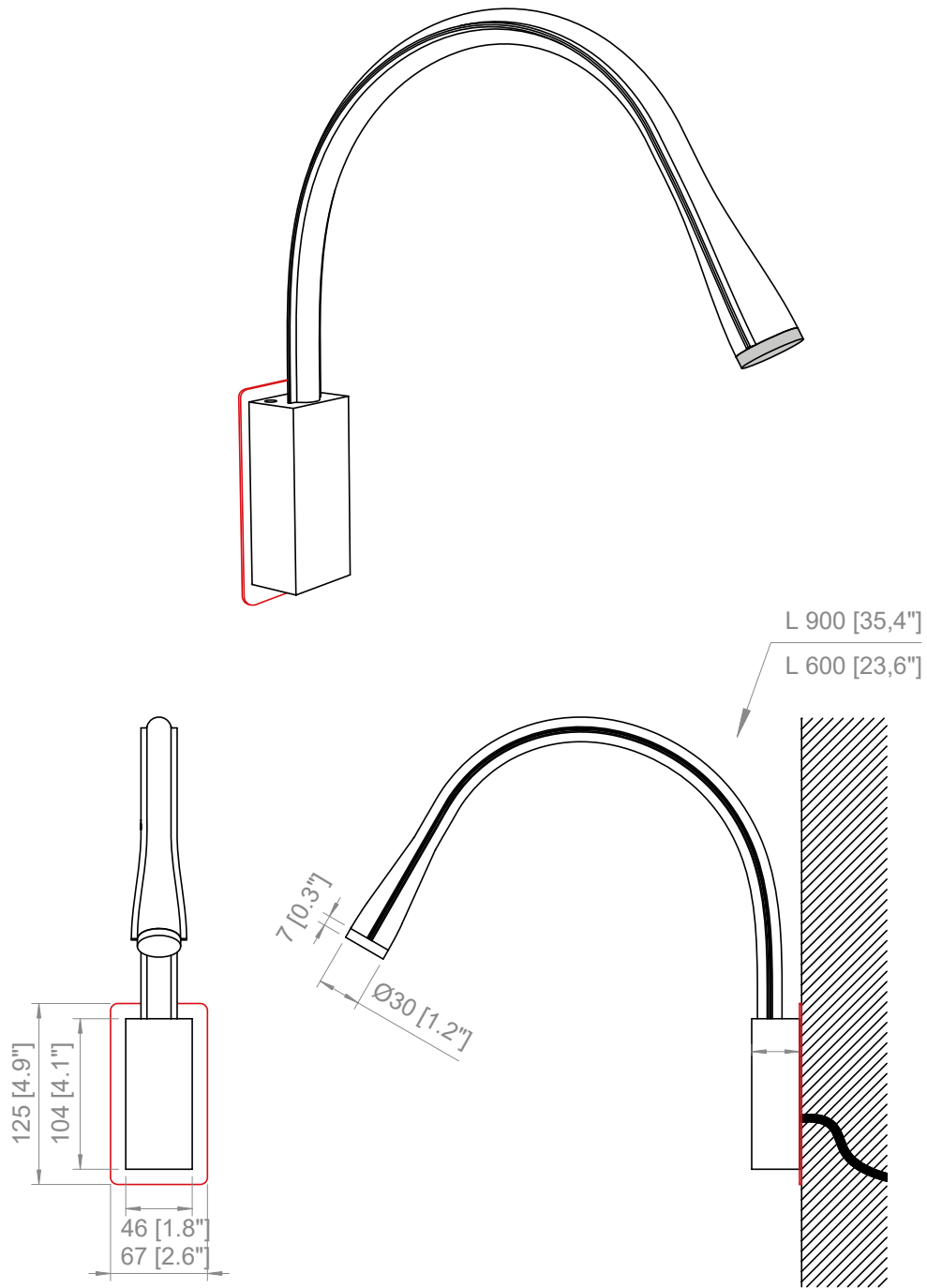


**FLEXILED AP L.60**  
**PRODOTTO / PRODUCT**    **IMBALLI / PACKAGING**

<b>Peso-Weight</b> 0.5 kg / 1.1 lbs	<b>Box 1</b> L: 780 mm / 30.7" P-W: 140 mm / 5.5" H: 80 mm / 3.1" Peso-Weight: 1 kg / 2.2 lbs
--	---

**FLEXILED AP L.90**  
**PRODOTTO / PRODUCT**    **IMBALLI / PACKAGING**

<b>Peso-Weight</b> 0.5 kg / 1.1 lbs	<b>Box 1</b> L: 1080 mm / 42.5" P: 140 mm / 5.5" H: 80 mm / 3.1" Peso-Weight: 1 kg / 2.2 lbs
--	--

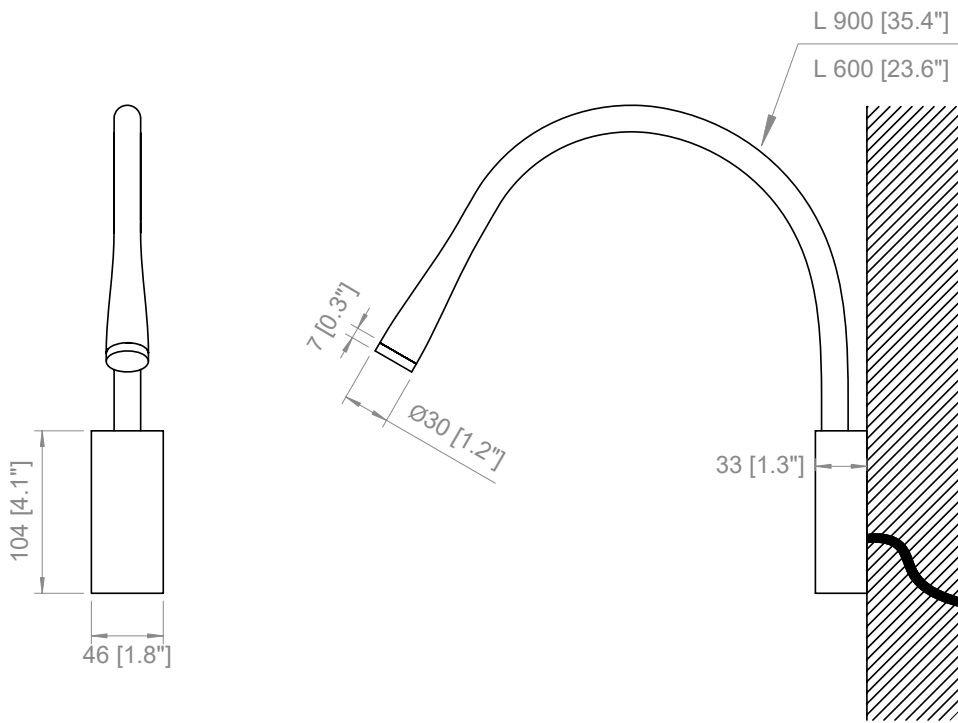
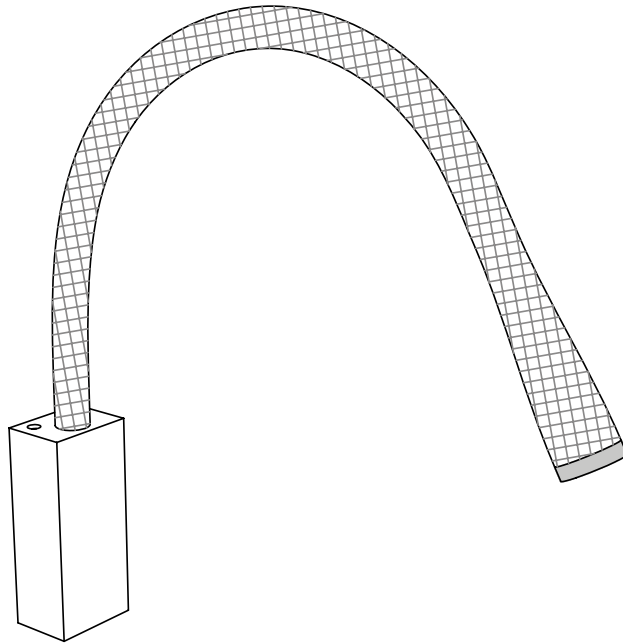


**FLEXILED AP L.60**  
**PRODOTTO / PRODUCT**    **IMBALLI / PACKAGING**

<b>Peso-Weight</b>	<b>Box 1</b>
0.5 kg / 1.1 lbs	L: 780 mm / 30.7"
	P-W: 140 mm / 5.5"
	H: 80 mm / 3.1"
	Peso-Weight: 1 kg / 2.2 lbs

**FLEXILED AP L.90**  
**PRODOTTO / PRODUCT**    **IMBALLI / PACKAGING**

<b>Peso-Weight</b>	<b>Box 1</b>
0.5 kg / 1.1 lbs	L: 1080 mm / 42.5"
	P: 140 mm / 5.5"
	H: 80 mm / 3.1"
	Peso-Weight: 1 kg / 2.2 lbs

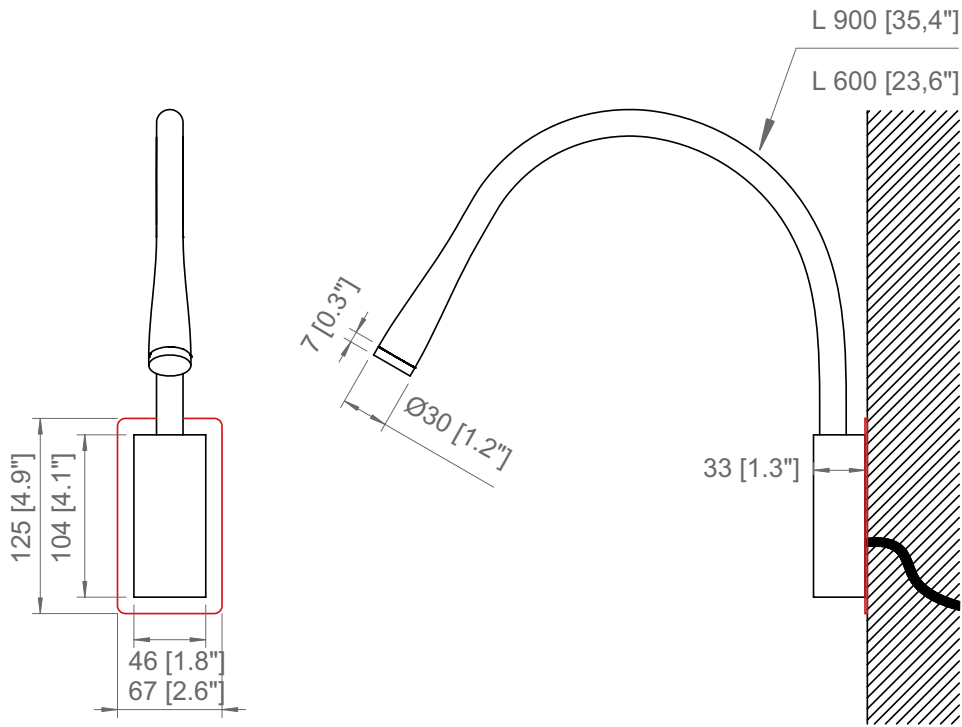
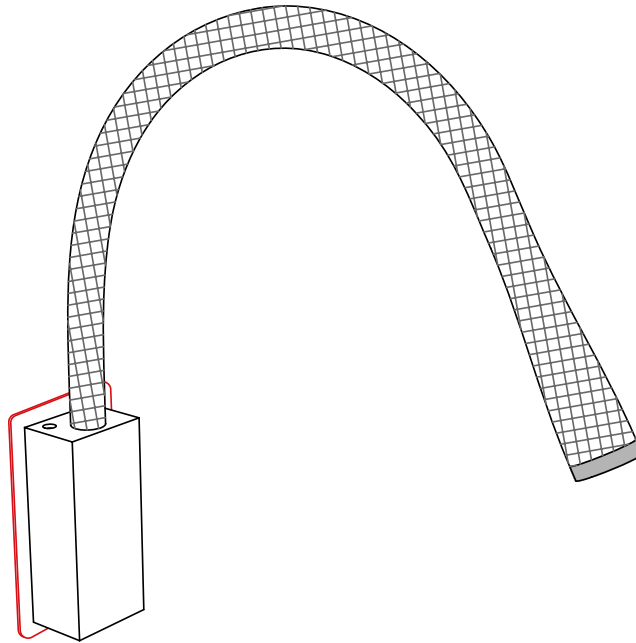


**FLEXILED AP L.60**  
**PRODOTTO / PRODUCT**    **IMBALLI / PACKAGING**

<b>Peso-Weight</b>	<b>Box 1</b>
0.5 kg / 1.1 lbs	L: 780 mm / 30.7"
	P-W: 140 mm / 5.5"
	H: 80 mm / 3.1"
	Peso-Weight: 1 kg / 2.2 lbs

**FLEXILED AP L.90**  
**PRODOTTO / PRODUCT**    **IMBALLI / PACKAGING**

<b>Peso-Weight</b>	<b>Box 1</b>
0.5 kg / 1.1 lbs	L: 1080 mm / 42.5"
	P: 140 mm / 5.5"
	H: 80 mm / 3.1"
	Peso-Weight: 1 kg / 2.2 lbs



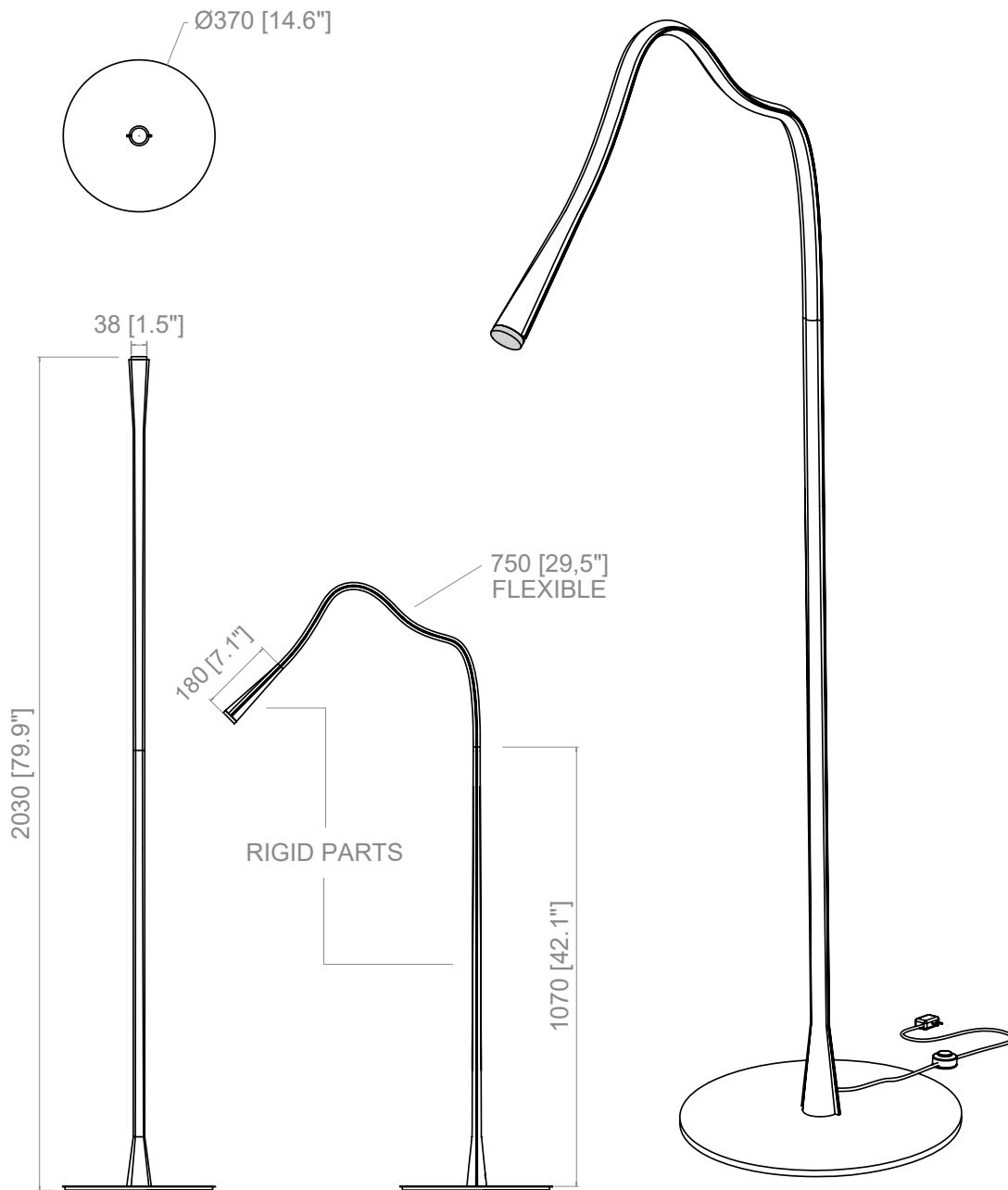
**FLEXILED AP L.60**  
**PRODOTTO / PRODUCT**    **IMBALLI / PACKAGING**

<b>Peso-Weight</b>	<b>Box 1</b>
0.5 kg / 1.1 lbs	L: 780 mm / 30.7"
	P-W: 140 mm / 5.5"
	H: 80 mm / 3.1"
	Peso-Weight: 1 kg / 2.2 lbs

**FLEXILED AP L.90**  
**PRODOTTO / PRODUCT**    **IMBALLI / PACKAGING**

<b>Peso-Weight</b>	<b>Box 1</b>
0.5 kg / 1.1 lbs	L: 1080 mm / 42.5"
	P: 140 mm / 5.5"
	H: 80 mm / 3.1"
	Peso-Weight: 1 kg / 2.2 lbs





**PRODOTTO / PRODUCT**   **IMBALLI / PACKAGING**

<b>Peso-Weight</b> 8.5 kg / 18.7 lbs	<b>Box 1</b> L: 100 mm / 3.9" P-W: 100 mm / 3.9" H: 2100 mm / 82.6" Peso-Weight: 3 kg / 6.6 lbs	<b>Box 2</b> L: 430 mm / 16.9" P-W: 430 mm / 16.9" H: 160 mm / 6.3" Peso-Weight: 7.5 kg / 16.5 lbs
---	---	--

Copyright and/or design rights subsist in this drawing. No part of this drawing may be reproduced in any material form (including photocopying or storing in any medium electronic means, whether or not intentionally and whether or not as part or a larger publication) without the express permission of the copyright owner, Contardi Lighting S.r.l.. Further and without prejudice to the above, this drawing and all information relating thereto is confidential, and shall not be communicated to a third party without the consent of Contardi lighting srl. Contardi lighting srl asserts all rights to be identified as the author of the work and otherwise.

WARNING: The doing of any unauthorised act in relation to a copyright work may result in both a civil claim for damages and criminal prosecution.

---

**CONTARDI LIGHTING Srl**

ITALY HEADQUARTERS

[www.contardi-italia.com](http://www.contardi-italia.com) / [sales@contardi-italia.it](mailto:sales@contardi-italia.it)

**CONTARDI USA Inc**

USA BRANCH

[www.contardi-usa.com](http://www.contardi-usa.com) / [sales@contardi-usa.com](mailto:sales@contardi-usa.com)

