

G+T

Jeffrey Glass



BATTERY

AP



Innovativa lampada da lettura, nasce dall'idea di un prodotto trasportabile e lussuoso per rispondere a specifiche esigenze di spazio ed installazione, rendendola adatta ad ambienti con caratteristiche particolari, quali yachts e superyachts, edifici storici, boutiques di lusso. La testa riprende il design del dosatore per i cocktails (G+T sta per Gin & Tonic), il braccio flessibile è in ottone ricoperto da cuoio intrecciato. Disponibile nella versione a batteria, con attacco magnetico ed in quella cablata a parete. La versione a batteria è ricaricabile attraverso la porta USB tipo C (che nella versione cablata viene utilizzata per la ricarica dello smartphone o dei tablets). Il comando (a tre livelli di intensità) è comodamente posizionato sulla testa. La versione a batteria è corredata dai seguenti accessori: staffa a fissaggio a parete, staffa per fissaggio al tavolo e tasca in pelle con contrappeso per bracciolo poltrona/divano.

Innovative reading lamp, born from the idea of a portable luxury product to meet specific space and installation needs, making it suitable for environments with particular characteristics, such as yachts and superyachts, historic buildings, luxury boutiques. The head recalls the design of the dispenser for cocktails (G + T stands for Gin & Tonic), the arm is in brass covered with braided leather. Available in the battery version, with magnetic connection and in the wall-mounted version. The battery-powered version is rechargeable via the USB Type-C port (which in the wired version is used for charging smartphones or tablets). The control (with three intensity levels) is conveniently positioned on the head. The battery-powered version comes with the following accessories: wall-mounted bracket, bracket for table fixing and leather pocket with counterweight for armchair/sofa armrest.

SPECIFICHE PRODOTTO / PRODUCT SPECIFICS

p2

G+T AP

p4

G+T AP - USA

p5

G+T BATTERY

p6

FISSAGGIO DA TAVOLO / TABLE FIXING ACCESSORY

p7

FISSAGGIO A PARETE / METAL PLATE FOR WALL

p8

FISSAGGIO IN PELLE PER SEDUTE E IMBOTITI / LEATHER COVERED SOFA HANGING ACCESSORY

p9



BASE / BASE



Bronzo rame lucido
Polished copper bronze



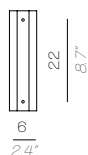
Nickel lucido
Polished nickel

STRUTTURA / FRAME

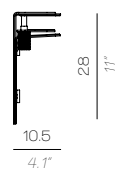


Cuoio intrecciato marrone
testa di moro
Dark brown braided leather

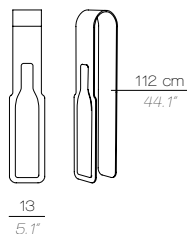
FISSAGGI PER VERSIONE BATTERIA / FIXINGS FOR BATTERY VERSION



Fissaggio a parete
Metal plate for wall



Fissaggio da tavolo - PVD nero
Table fixing accessory - PVD black



Fissaggio in pelle per sedute e imbottiti -
dettaglio PVD nero
*Leather covered sofa hanging accessory -
PVD black detail*

**FRONTE LUMINOSA / LIGHT SOURCE**

Versione CABLATA
HARD WIRED version
 Custom LED



Versione BATTERIA
 BATTERY version
 Custom LED



Autonomia: 8 ore
 Cicli di vita: 600
 Tempi di ricarica: circa 4 ore
 Cavetto USB tipo C fornito,
 alimentatore non fornito

*Autonomy: 8 hours
 Lifestyle cycles: 600
 Charging time: about 4 hours
 Type C USB cable supplied,
 charger adapter not supplied*



AP / BATTERY
 1 X 2W
 Custom LED
 Lumen: 500
 3.000 K; CRI: >90

DIMMERABILE / DIMMABLE

AP / BATTERY
 Tre livelli di intensità (100 - 70 - 30%)
Three intensity levels (100 - 70 - 30%)

**USA / LIGHT SOURCE**

HARD WIRED version
 Custom LED



BATTERY version
 Custom LED



Autonomy: 8 hours
 Lifestyle cycles: 600
 Charging time: about 4 hours
 Type C USB cable supplied,
 charger adapter not supplied

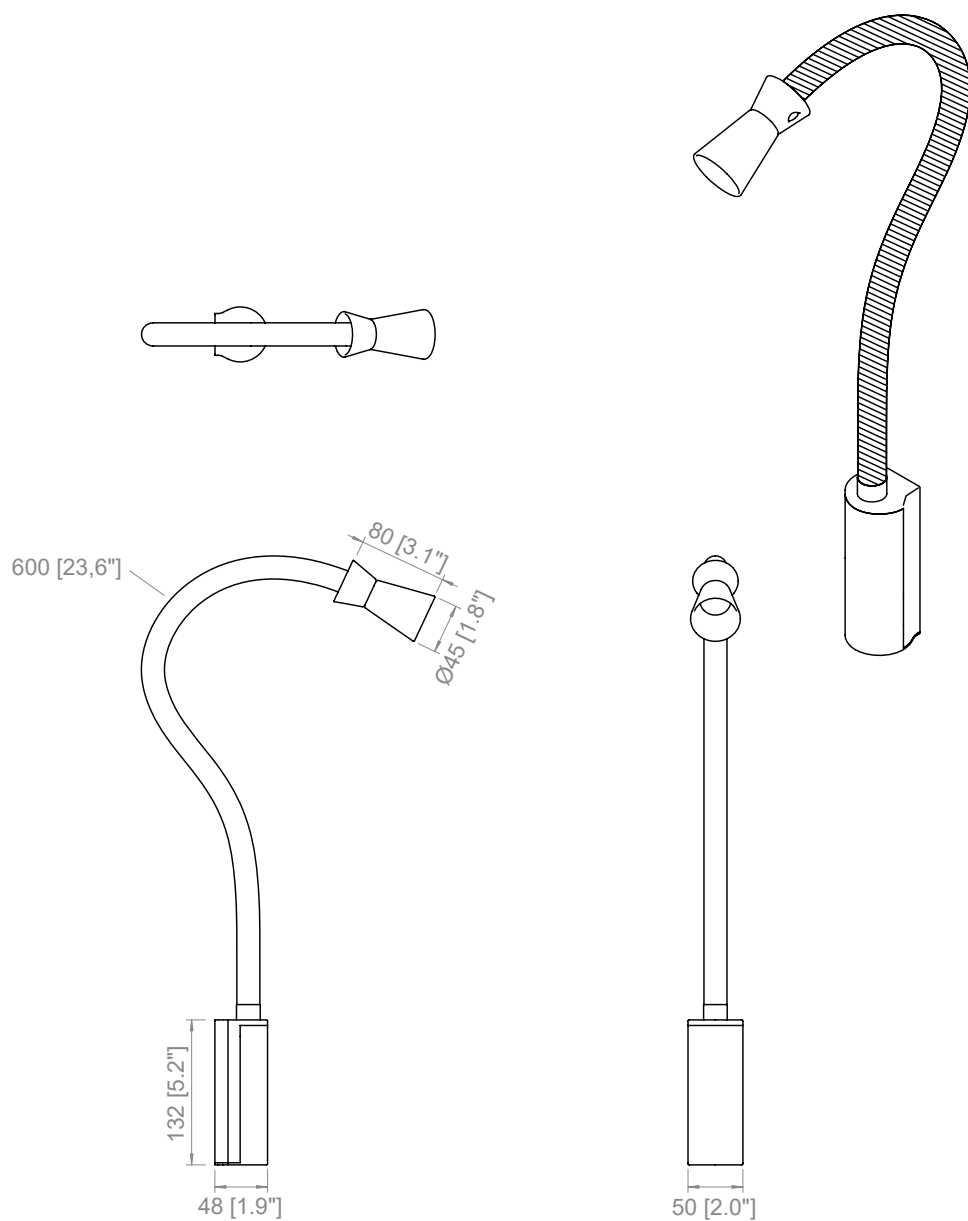


AP / BATTERY
 1 X 2W
 Custom LED
 Lumen: 500
 3.000 K; CRI: >90

DIMMABLE

AP / BATTERY
 Three intensity levels (100 - 70 - 30%)





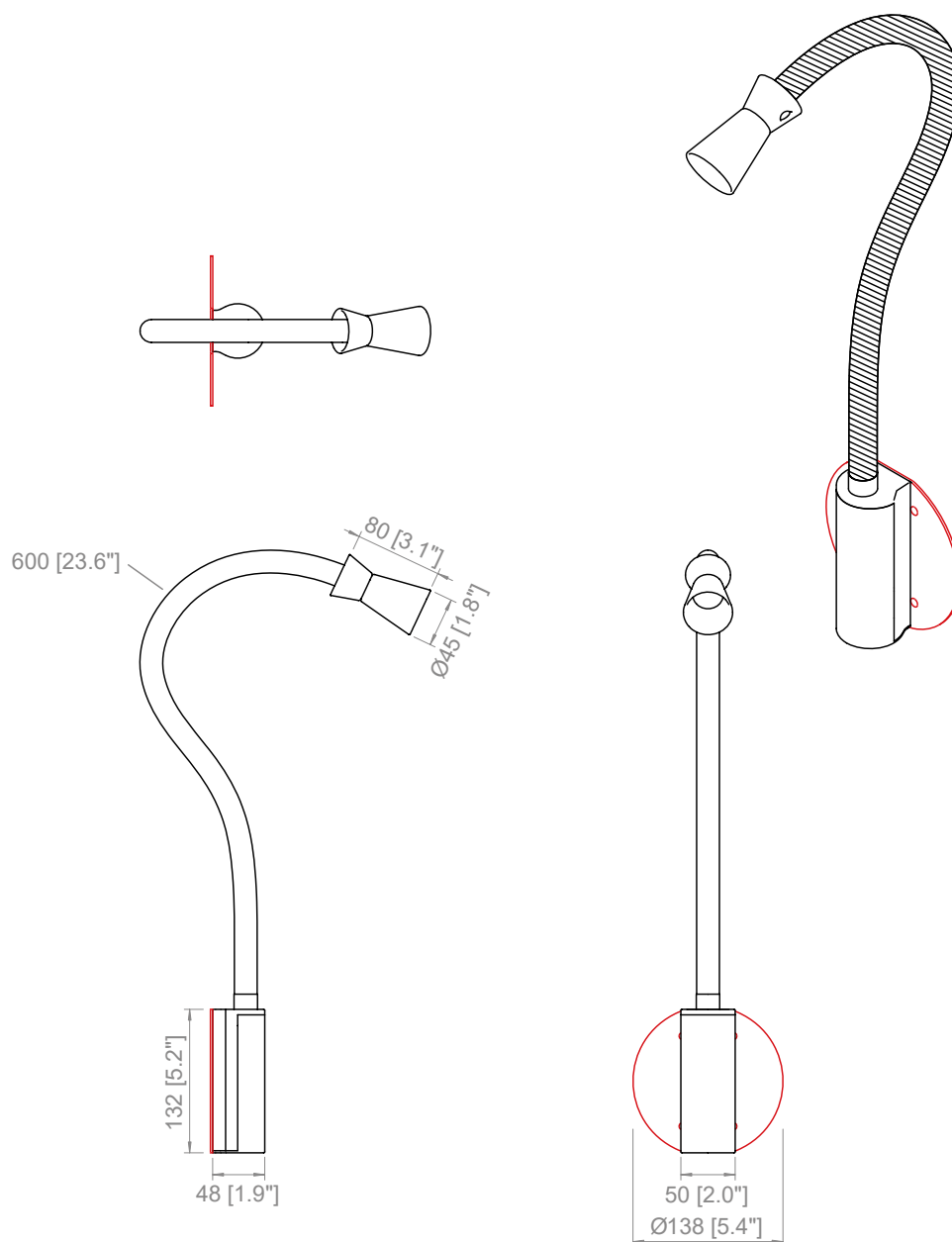
PRODOTTO / PRODUCT

PESO / WEIGHT
1 kg / 2.2 lbs

BOX 1

L: 78 cm / 30.7"
W: 14 cm / 5.5"
H: 8 cm / 3.1"

PESO / WEIGHT
1 kg / 2.2 lbs



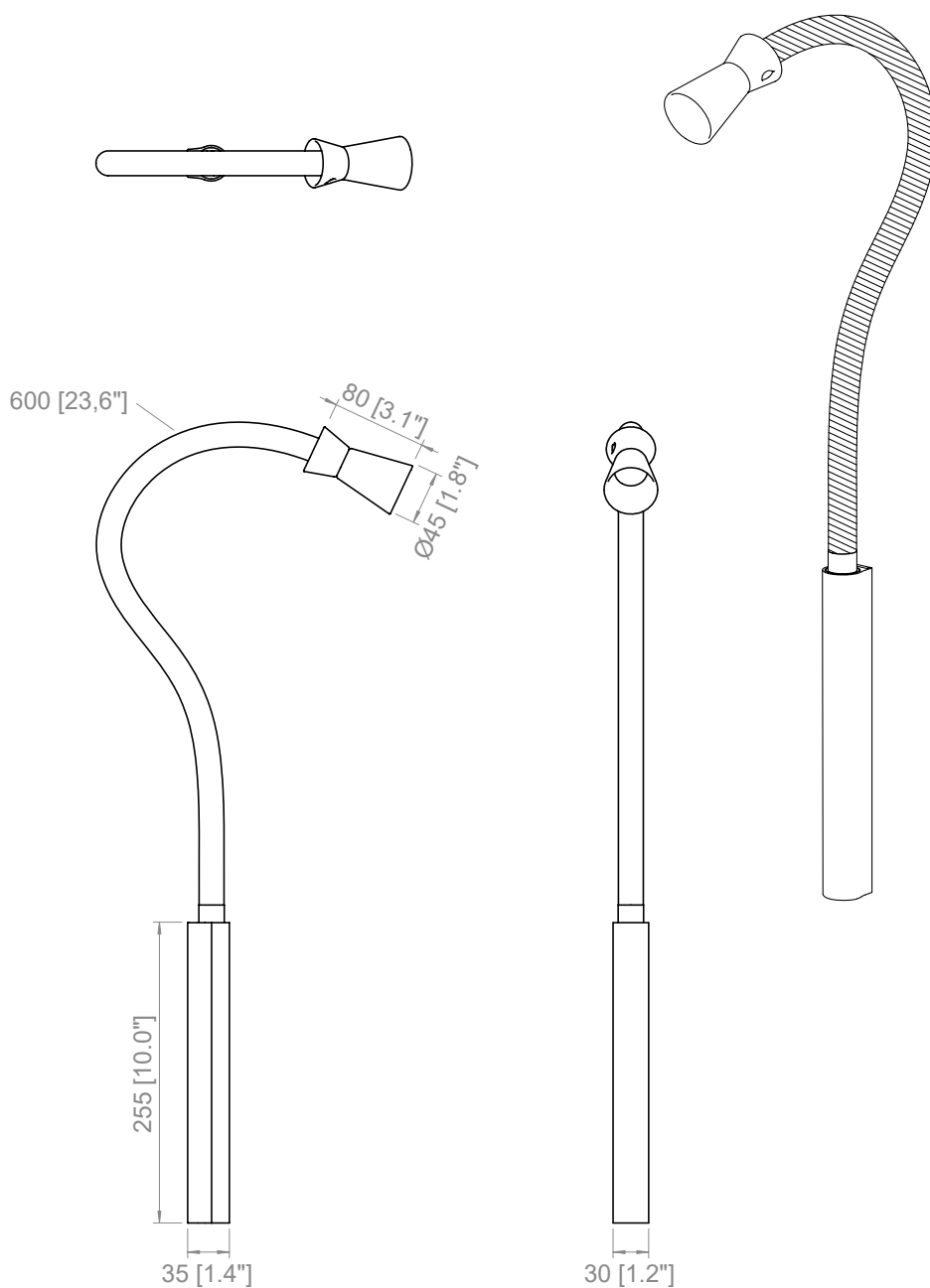
PRODOTTO / PRODUCT

BOX 1

PESO / WEIGHT
1 kg / 2.2 lbs

L: 78 cm / 30.7"
W: 14 cm / 5.5"
H: 8 cm / 3.1"

PESO / WEIGHT
1 kg / 2.2 lbs



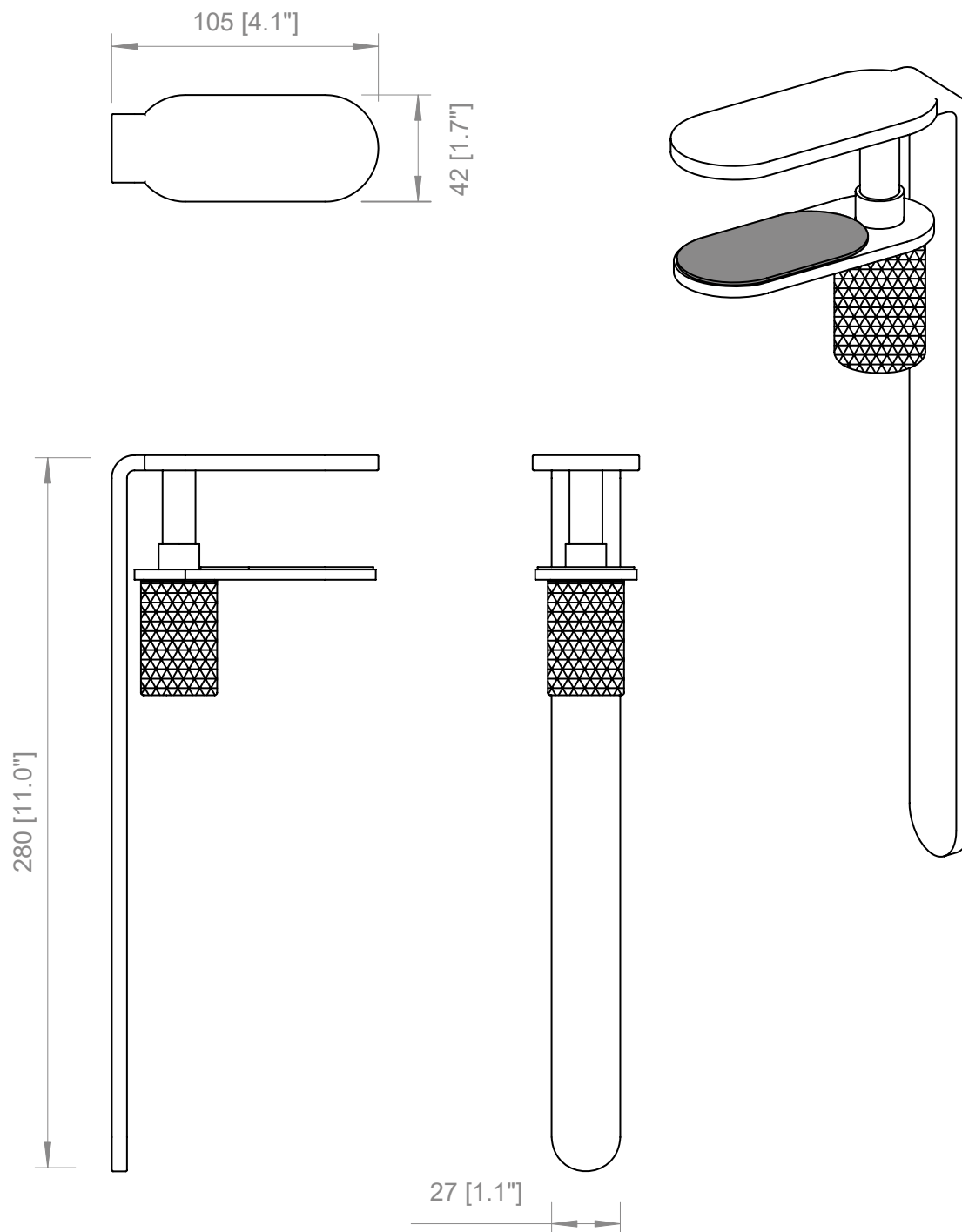
PRODOTTO / PRODUCT

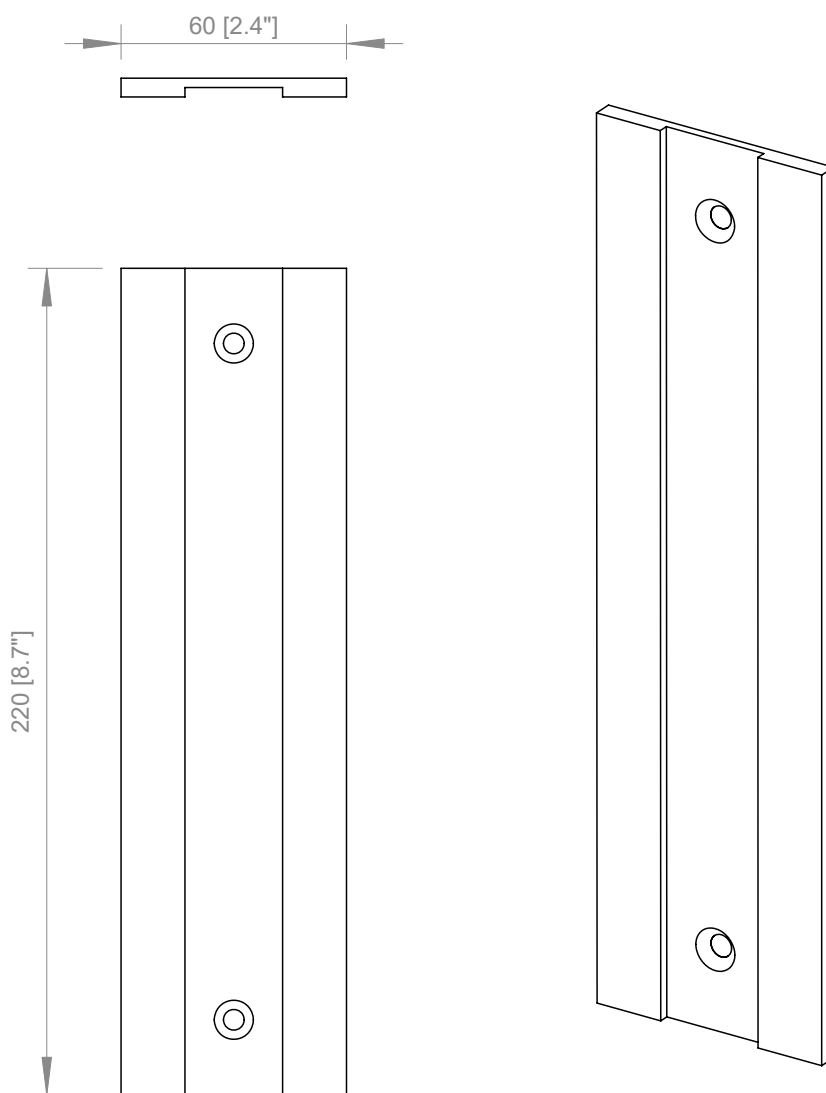
PESO / WEIGHT
1 kg / 2.2 lbs

BOX 1

L: 108 cm / 42.5"
W: 14 cm / 5.5"
H: 8 cm / 3.1"

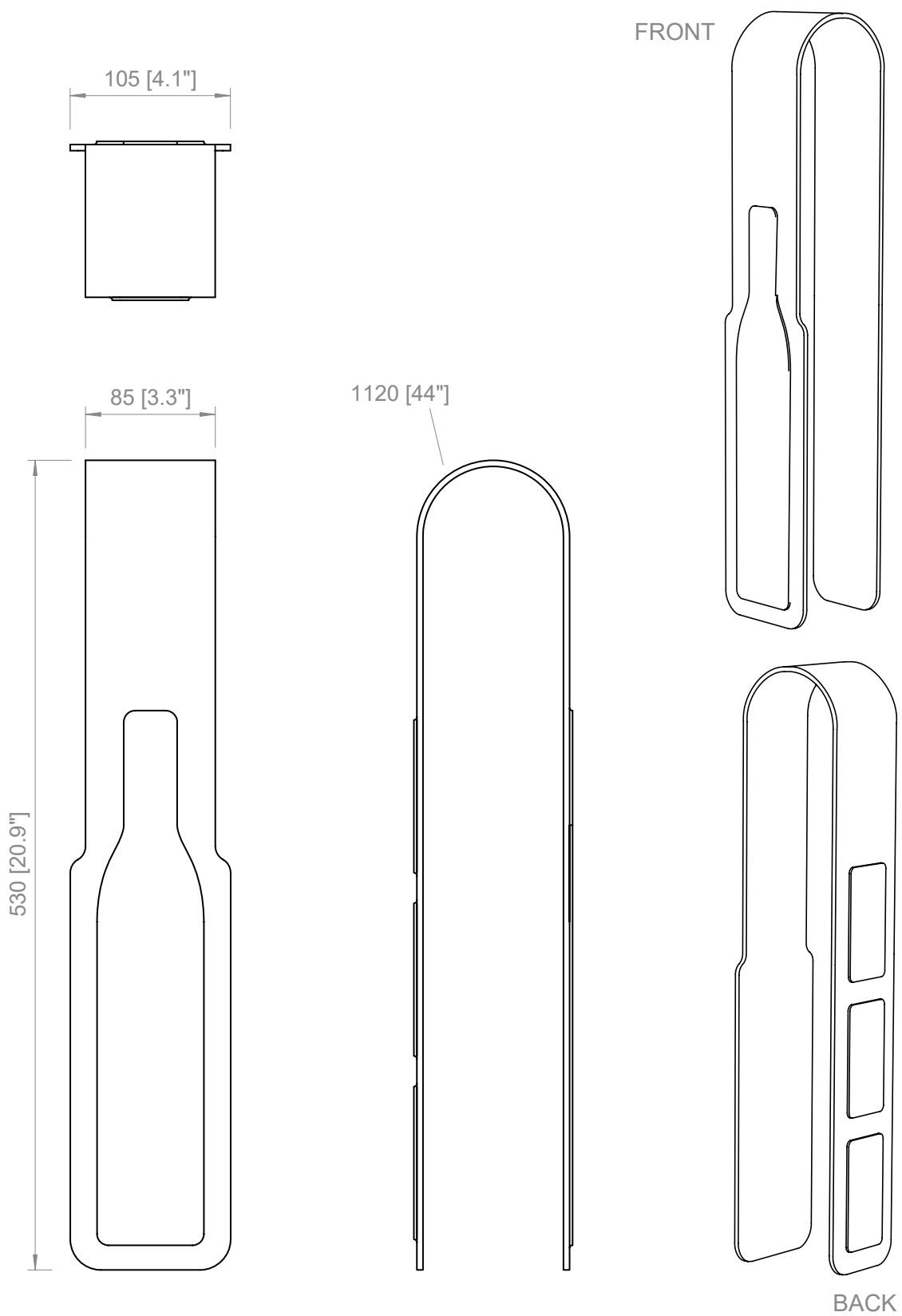
PESO / WEIGHT
1 kg / 2.2 lbs







G+T BATTERY / FISSAGGIO IN PELLE PER SEDUTE E IMBOTTITI
LEATHER COVERED SOFA HANGING ACCESSORY





Copyright and/or design rights subsist in this drawing. No part of this drawing may be reproduced in any material form (including photocopying or storing in any medium electronic means, whether or not intentionally and whether or not as part or a larger publication) without the express permission of the copyright owner, Contardi Lighting S.r.l.. Further and without prejudice to the above, this drawing and all information relating thereto is confidential, and shall not be communicated to a third party without the consent of Contardi lighting srl. Contardi lighting srl asserts all rights to be identified as the author of the work and otherwise.

WARNING: The doing of any unauthorised act in relation to a copyright work may result in both a civil claim for damages and criminal prosecution.

CONTARDI LIGHTING Srl

ITALY HEADQUARTERS

www.contardi-italia.com / sales@contardi-italia.it

CONTARDI USA Inc

USA BRANCH

www.contardi-usa.com / sales@contardi-usa.com

