

# MUSE LANTERN

*Tristan Auer*



SMALL



MEDIUM



LARGE



Prodotto iconico di Contardi, Muse Lantern è una lanterna dal design originale e prezioso grazie a dettagli sofisticati come la maniglia in seta intrecciata color miele, la finitura in bronzo spazzolato e la struttura dal look vintage. La versione da terra è disponibile in tre diverse dimensioni (small, medium e large) per adattarsi a qualsiasi ambiente.

*An iconic Contardi product, Muse Lantern is a lantern with an original and precious design thanks to sophisticated details such as the honey-coloured braided silk handle, the satin bronze finish and the vintage-look structure. The free standing version is available in three different sizes (small, medium and large) to adapt to any environment.*

## SPECIFICHE PRODOTTO / PRODUCT SPECIFICS

MUSE LANTERN SMALL  
MUSE LANTERN MEDIUM  
MUSE LANTERN LARGE

p2

p3

p4

p5

**STRUTTURA / FRAME**

Bronzo spazzolato  
*Bronze satin*



Maniglia in seta intrecciata color  
miele  
*Honey-coloured braided silk  
handle*

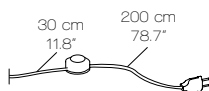
**DIFFUSORE / DIFFUSER**

Acrilico color ambra  
*Amber finish acrylic*

**CAVO - INTERRUTTORE / CABLE - SWITCH**

**TA**  
Tessuto nero  
Interruttore On-Off  
*Black fabric  
On-Off switch*

L: 30 + 200 cm  
L: 11.8 + 78.7"

**FONTE LUMINOSA / LIGHT SOURCE**

E27 Classic Deco LED  
Utilizzabili lampadine LED fino  
alla massima potenza disponibile  
sul mercato

*You can use LED light bulbs of  
the highest available wattage*

1 X E27  
Lampadine LED  
*LED light bulb*

**DIMMERABILE / DIMMABLE**

**TA**  
Disponibile versione con dimmer  
per LED su cavo compatibile  
solo con lampadine LED  
dimmerabili

*Available, on demand, dimmer  
switch on the cable (to use  
dimmable LED light bulbs only)*



 Muse Lantern

**USA / CABLE - SWITCH**

**TA**  
Black fabric  
On-Off switch

L: 11.8 + 78.7"

**USA / LIGHT SOURCE**

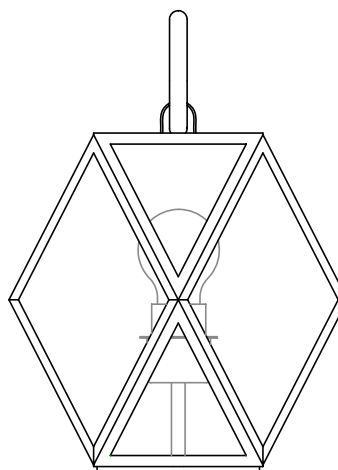
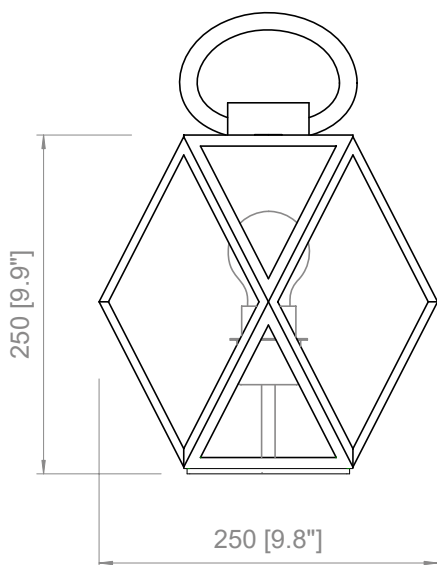
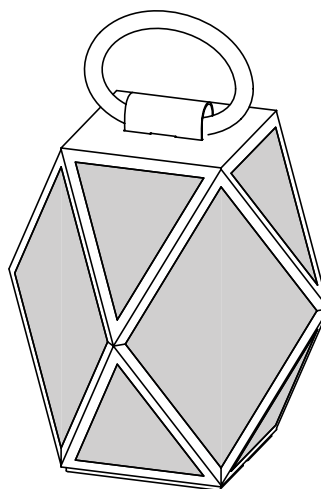
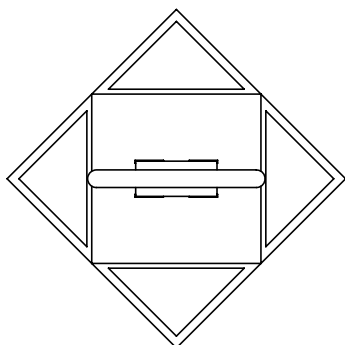
E26 Classic Deco LED  
You can use LED light bulbs of  
the highest available wattage

1 X E26 Classic Deco LED  
LED light bulb

**DIMMABLE**

**TA**  
Available, on demand, dimmer  
switch on the cable (to use  
dimmable LED light bulbs only)





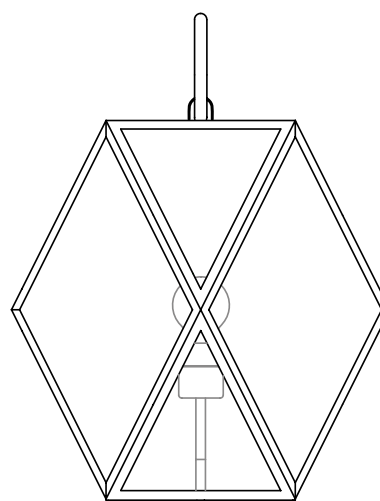
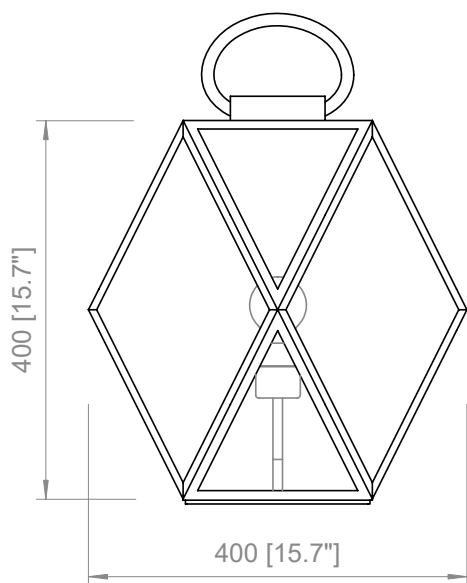
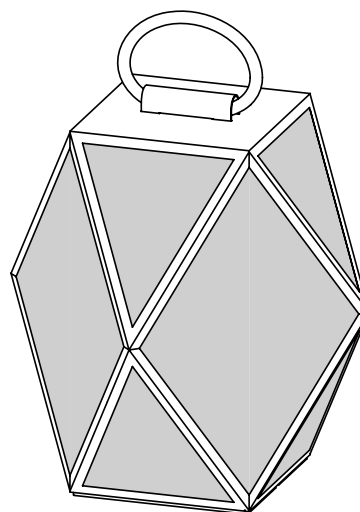
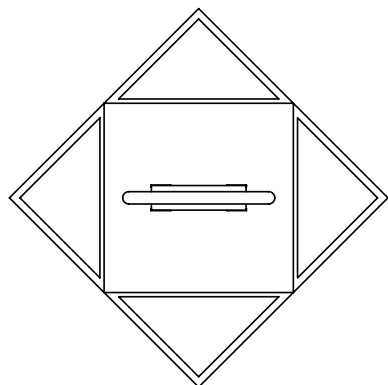
PRODOTTO / PRODUCT

PESO / WEIGHT  
3 kg / 6.6 lbs

BOX 1

L: 32 cm / 12.6"  
W: 32 cm / 12.6"  
H: 33 cm / 13"

PESO / WEIGHT  
4 kg / 8.8 lbs



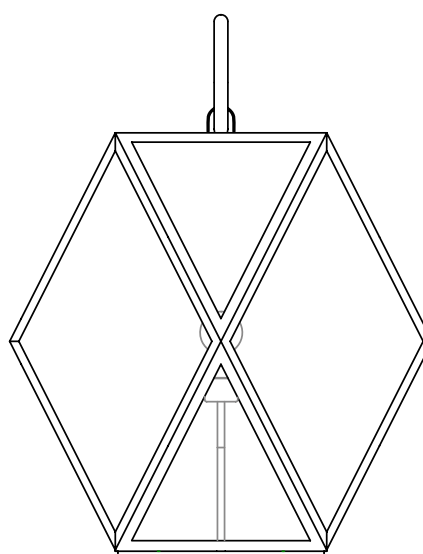
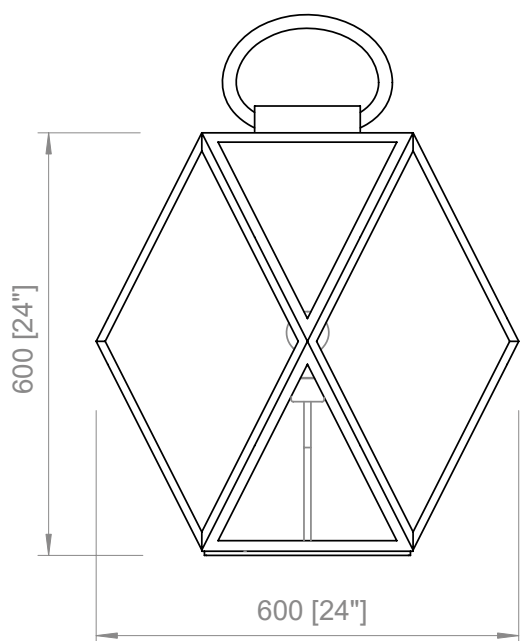
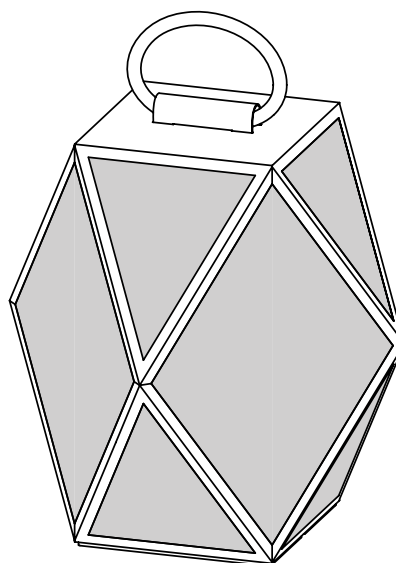
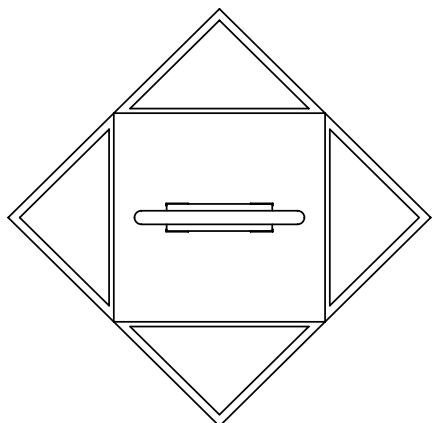
**PRODOTTO / PRODUCT**

PESO / WEIGHT  
6 kg / 13.2 lbs

**BOX 1**

L: 52 cm / 20.4"  
W: 52 cm / 20.4"  
H: 55 cm / 21.6"

PESO / WEIGHT  
7 kg / 15.4 lbs



PRODOTTO / PRODUCT

PESO / WEIGHT  
11 kg / 24.2 lbs

BOX 1

L: 64 cm / 25.2"  
W: 64 cm / 25.2"  
H: 73 cm / 28.7"

PESO / WEIGHT  
12,5 kg / 27.5 lbs



Copyright and/or design rights subsist in this drawing. No part of this drawing may be reproduced in any material form (including photocopying or storing in any medium electronic means, whether or not intentionally and whether or not as part or a larger publication) without the express permission of the copyright owner, Contardi Lighting S.r.l.. Further and without prejudice to the above, this drawing and all information relating thereto is confidential, and shall not be communicated to a third party without the consent of Contardi lighting srl. Contardi lighting srl asserts all rights to be identified as the author of the work and otherwise.

**WARNING:** The doing of any unauthorised act in relation to a copyright work may result in both a civil claim for damages and criminal prosecution.

---

**CONTARDI LIGHTING Srl**

ITALY HEADQUARTERS

[www.contardi-italia.com](http://www.contardi-italia.com) / [sales@contardi-italia.it](mailto:sales@contardi-italia.it)

**CONTARDI USA Inc**

USA BRANCH

[www.contardi-usa.com](http://www.contardi-usa.com) / [sales@contardi-usa.com](mailto:sales@contardi-usa.com)

