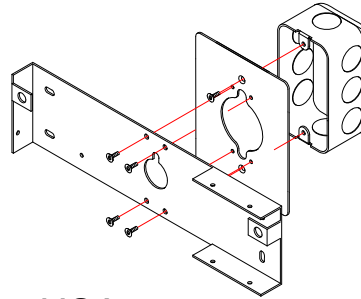


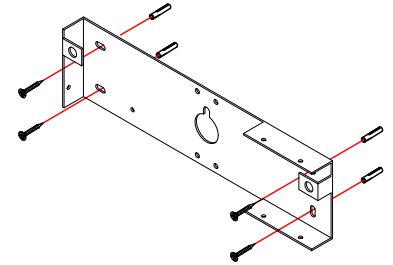
ALL OPERATIONS MUST BE CARRIED OUT BY QUALIFIED PERSON

- ① Fix the bracket on the wall.
(use appropriate anchors depending on the type of wall)

Fissare la staffa alla parete
(utilizzare tasselli appropriati
in base al tipo di parete).



USA

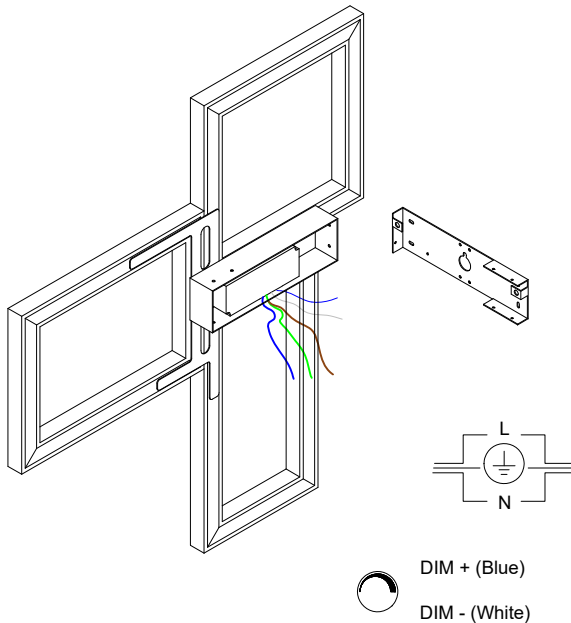


CE

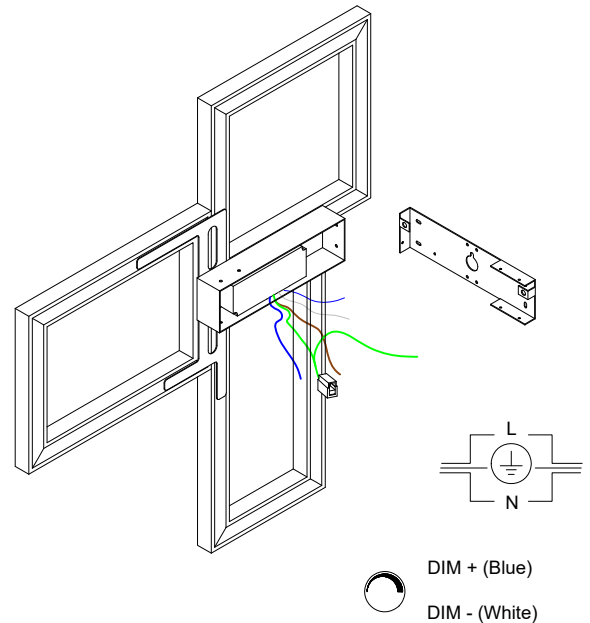
- ② Connect the lamp to the main power following the sketch below.

Collegare la lampada alla corrente seguendo lo schema sottostante.

USA

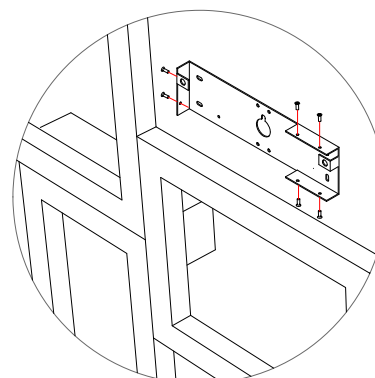


CE



- ③ Fix the lamp to the bracket using the screws provided.

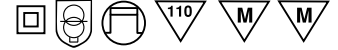
Fissare la lampada alla staffa a
parete utilizzando le viti fornite.





90W Constant Current Mode LED Driver

LPF-90D series

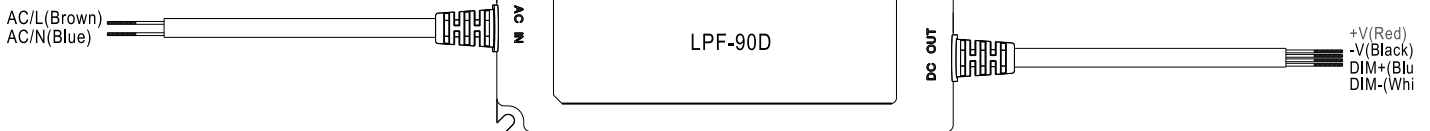


SELV IP67 (CCC optional)



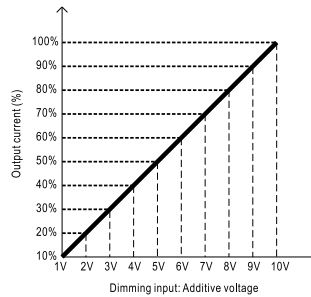
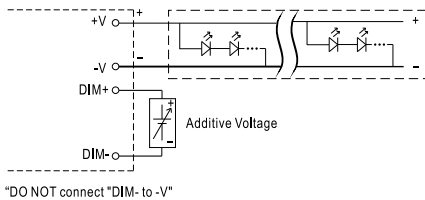
DIMMING OPERATION

※ 3 in 1 dimming function

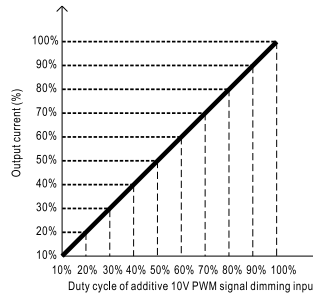
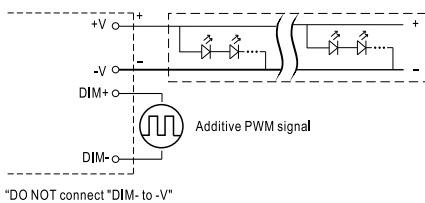


- Output constant current level can be adjusted by applying one of the three methodologies between DIM+ and DIM-: 1 ~ 10VDC, or 10V PWM signal or resistance.
- Direct connecting to LEDs is suggested. It is not suitable to be used with additional drivers.
- Dimming source current from power supply: 100 μ A (typ.)

◎ Applying additive 1 ~ 10VDC



◎ Applying additive 10V PWM signal (frequency range 100Hz ~ 3KHz):



◎ Applying additive resistance:

