

# JOSEPHINE

Massimiliano Raggi



TA SMALL



TA



LISEUSE



AP



Collezione di lampade da tavolo, parete e terra, Josephine guarda al mondo dell'hospitality e di un residenziale di classe, con il suo tocco vintage. La tradizione di Contardi nell'abbinamento di finiture eleganti come il bronzo spazzolato e il tessuto (i tessuti Amalfi sono stati disegnati appositamente per Josephine) si alterna alla proposta della struttura in nero seta che conferisce al prodotto un look più contemporaneo. Le versioni da terra e da tavolo sono caratterizzate dallo snodo sul braccio per muovere orizzontalmente il paralume. Tutti i modelli sono comandati attraverso l'interruttore a tirante.

Collection of table, wall and floor lamps. Josephine looks at the world of hospitality and a charme residential, with its vintage touch. Contardi's tradition of combining elegant finishes such as satin bronze and fabric (Amalfi fabrics have been specially designed for Josephine) alternates with the proposal of a black silk structure that gives the product a more contemporary look. The floor and table versions are characterised by the joint on the arm to move the lampshade horizontally. All models are controlled via the pull switch.

## SPECIFICHE PRODOTTO / PRODUCT SPECIFICS

JOSEPHINE AP

JOSEPHINE AP - USA

p2

p3

p4

JOSEPHINE TA SMALL

JOSEPHINE TA SMALL - USA

JOSEPHINE TA

JOSEPHINE TA - USA

p5

p6

p7

p8

JOSEPHINE LISEUSE

JOSEPHINE LISEUSE - USA

p9

p10



## STRUTTURA / FRAME



Bronzo spazzolato chiaro opaco  
*Matt light satin bronze*

## PARALUME / SHADE



Amalfi lino bianco  
*Amalfi white linen*



Amalfi giallo  
*Amalfi yellow*



Amalfi grigio  
*Amalfi grey*

## CAVO - INTERRUTTORE / CABLE - SWITCH

Tessuto nero  
Interruttore a tirante

*Black fabric  
Pull switch*

FL / TA / TA SMALL

L: 200 cm  
L: 78.7"

## USA / CABLE - SWITCH

*Black cable*

FL / TA / TA SMALL

L: 78.7"

## FRONTE LUMINOSA / LIGHT SOURCE



E27 LED  
Utilizzabili lampadine LED fino  
alla massima potenza disponibile  
sul mercato

*You can use LED light bulbs of  
the highest available wattage*

1 X E27  
Lampadina LED  
*LED light bulb*



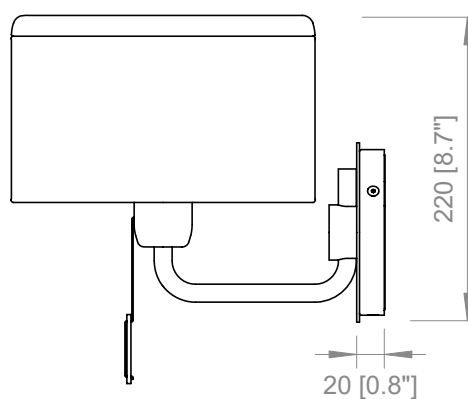
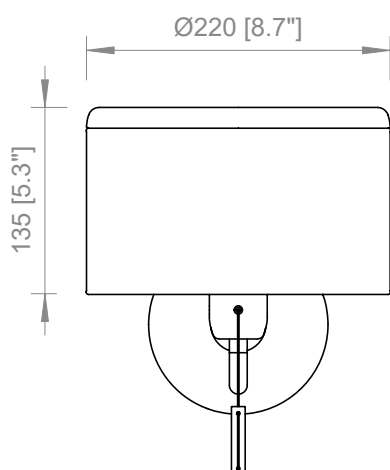
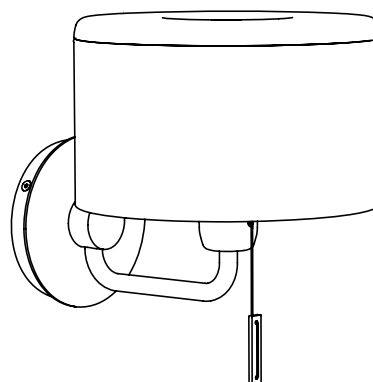
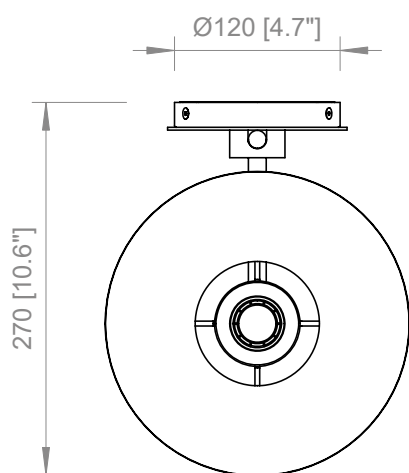
E26 LED  
You can use LED light bulbs of the  
highest available wattage

1 X E26  
LED light bulb



 Josephine TA, TA SMALL e LISEUSE





**PRODOTTO / PRODUCT**

PESO / WEIGHT  
1.5 kg / 3.3 lbs

**BOX 1**

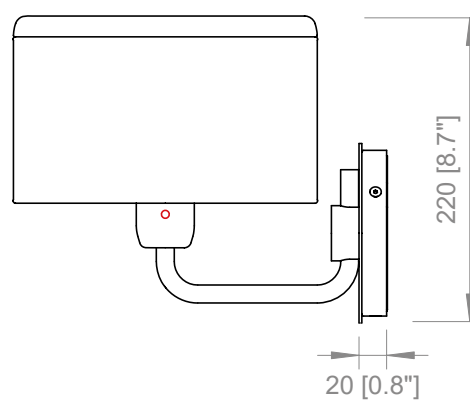
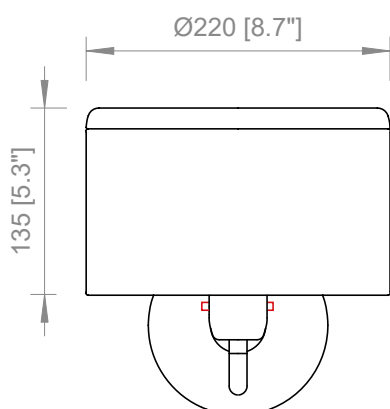
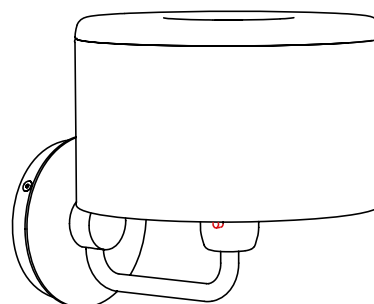
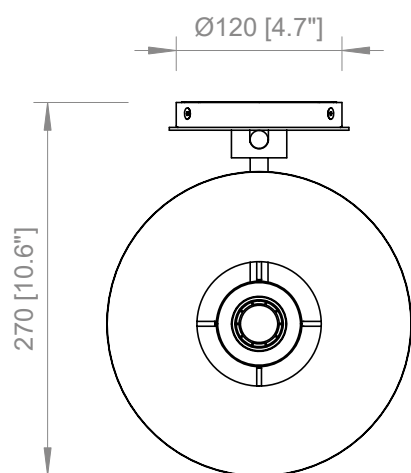
L: 25 cm / 9.8"  
W: 20 cm / 7.9"  
H: 22 cm / 8.6"

PESO / WEIGHT  
1 kg / 2.2 lbs

**BOX 2**

L: 26 cm / 10.2"  
W: 26 cm / 10.2"  
H: 20 cm / 7.9"

PESO / WEIGHT  
0.5 kg / 1.1 lbs

**PRODOTTO / PRODUCT**

PESO / WEIGHT  
1.5 kg / 3.3 lbs

**BOX 1**

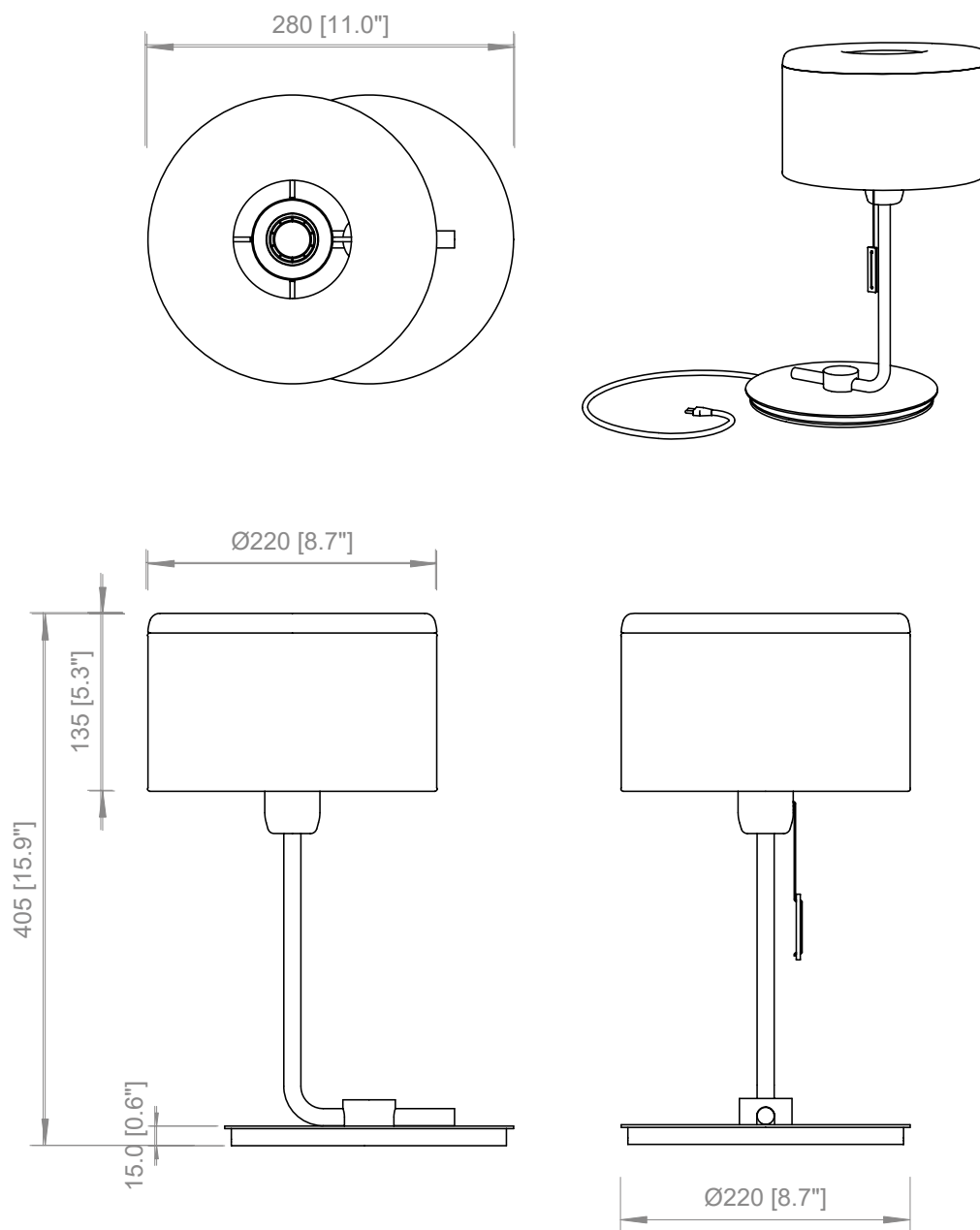
L: 25 cm / 9.8"  
W: 20 cm / 7.9"  
H: 22 cm / 8.6"

PESO / WEIGHT  
1 kg / 2.2 lbs

**BOX 2**

L: 26 cm / 10.2"  
W: 26 cm / 10.2"  
H: 20 cm / 7.9"

PESO / WEIGHT  
0.5 kg / 1.1 lbs



**PRODOTTO / PRODUCT**

PESO / WEIGHT  
5 kg / 11 lbs

**BOX 1**

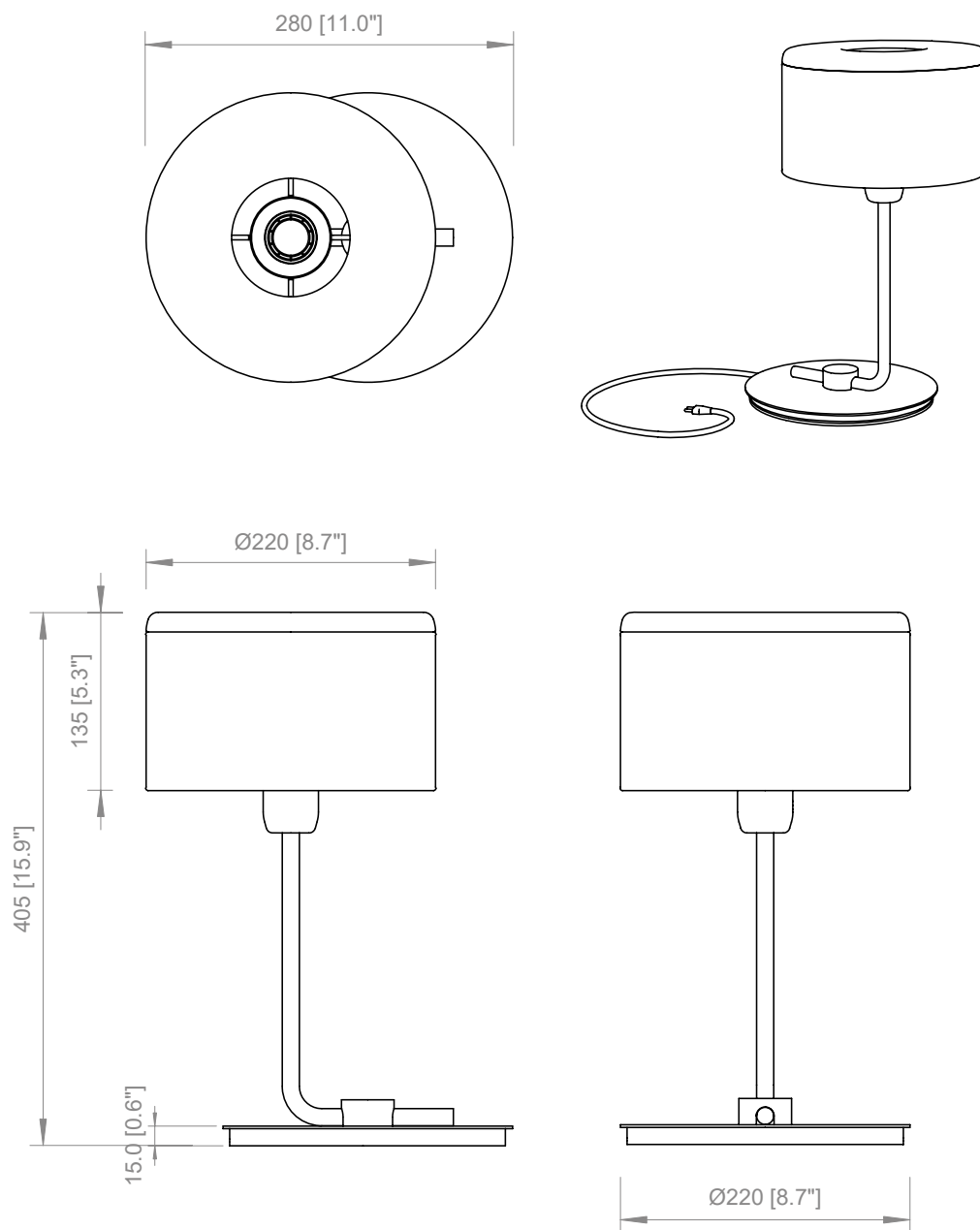
L: 28 cm / 11"  
W: 28 cm / 11"  
H: 43 cm / 16.9"

PESO / WEIGHT  
4,5 kg / 9.9 lbs

**BOX 2**

L: 26 cm / 10.2"  
W: 26 cm / 10.2"  
H: 20 cm / 7.9"

PESO / WEIGHT  
0,5 kg / 1.1 lbs



**PRODOTTO / PRODUCT**

PESO / WEIGHT  
5 kg / 11 lbs

**BOX 1**

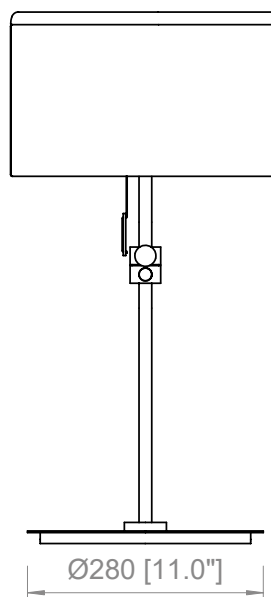
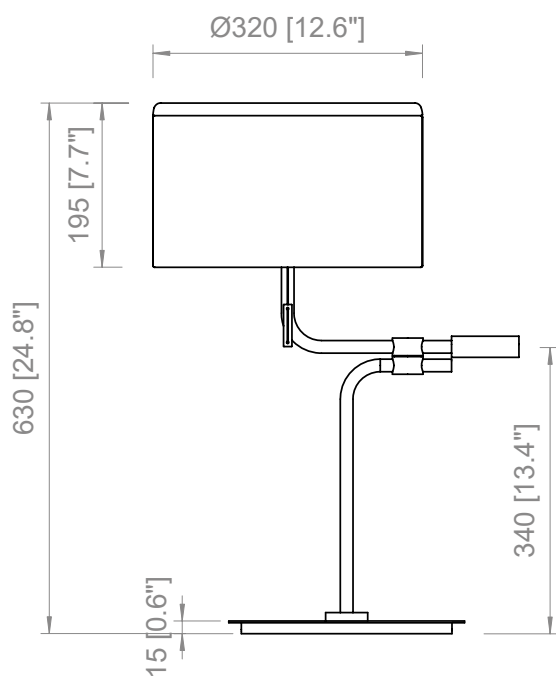
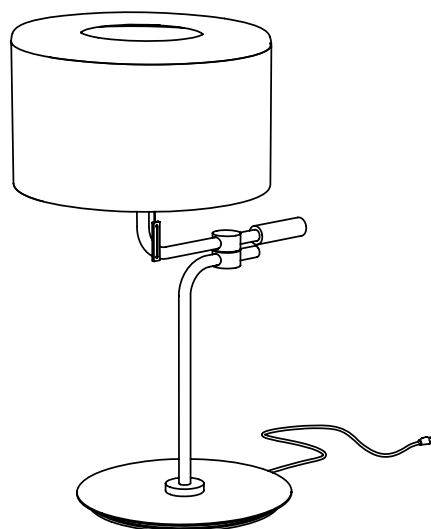
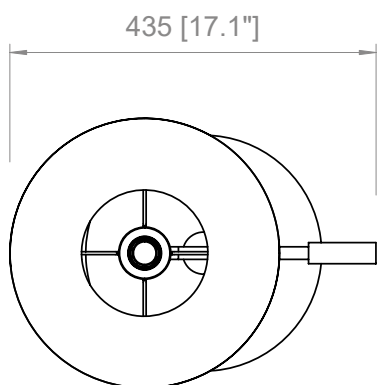
L: 28 cm / 11"  
W: 28 cm / 11"  
H: 43 cm / 16.9"

PESO / WEIGHT  
4,5 kg / 9.9 lbs

**BOX 2**

L: 26 cm / 10.2"  
W: 26 cm / 10.2"  
H: 20 cm / 7.9"

PESO / WEIGHT  
0,5 kg / 1.1 lbs



**PRODOTTO / PRODUCT**

PESO / WEIGHT  
9,5 kg / 20.9 lbs

**BOX 1**

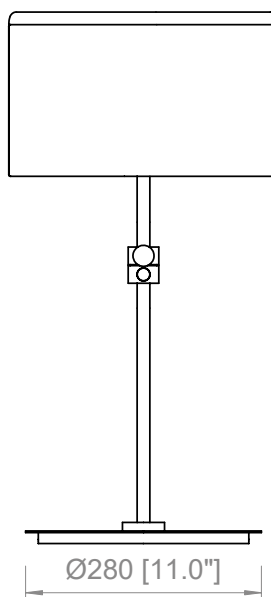
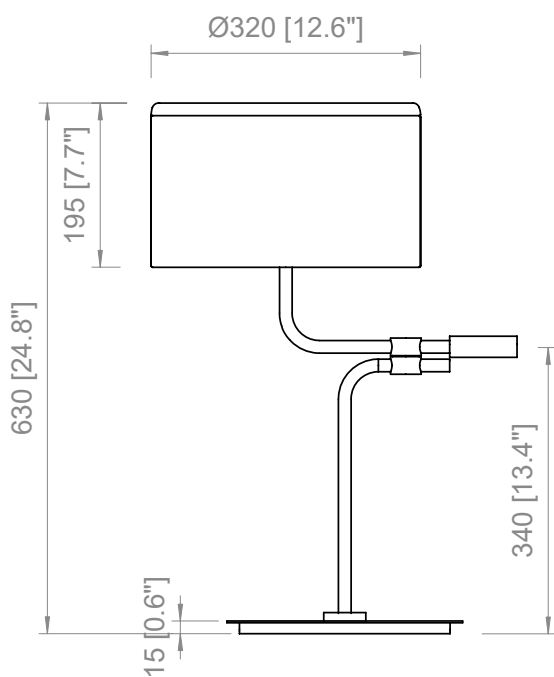
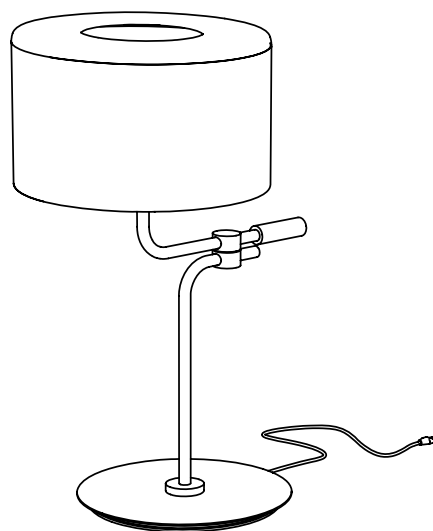
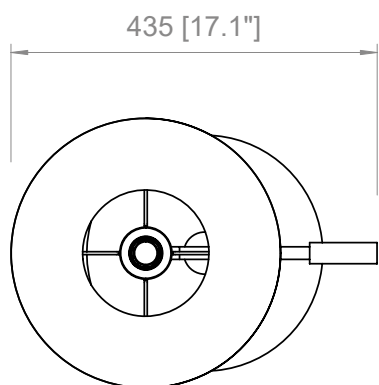
L: 40 cm / 15.7"  
W: 40 cm / 15.7"  
H: 60 cm / 23.6"

PESO / WEIGHT  
7,5 kg / 16.5 lbs

**BOX 2**

L: 43 cm / 16.9"  
W: 43 cm / 16.9"  
H: 32 cm / 12.6"

PESO / WEIGHT  
2 kg / 4.4 lbs



**PRODOTTO / PRODUCT**

PESO / WEIGHT  
9,5 kg / 20.9 lbs

**BOX 1**

L: 40 cm / 15.7"  
W: 40 cm / 15.7"  
H: 60 cm / 23.6"

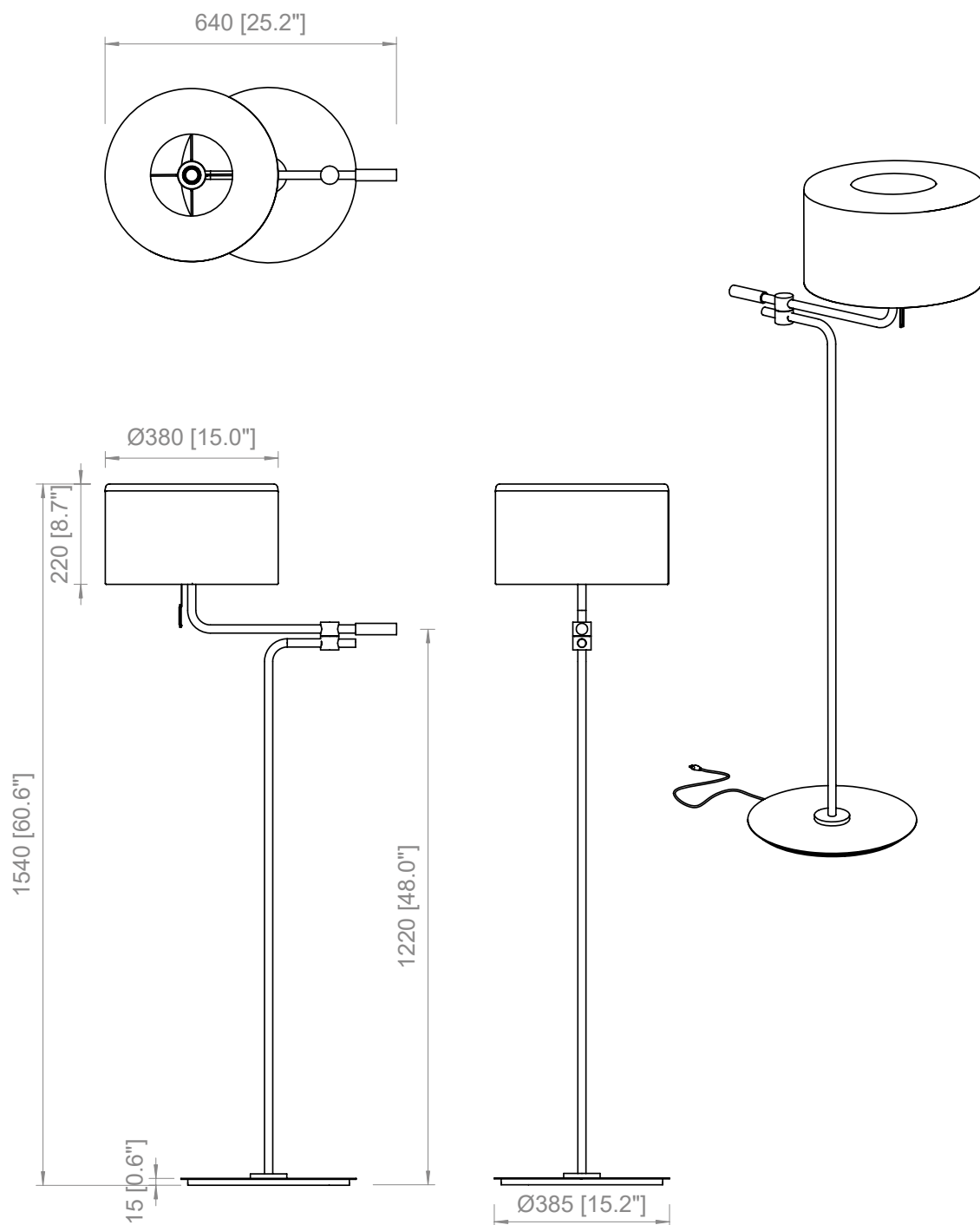
PESO / WEIGHT  
7,5 kg / 16.5 lbs

**BOX 2**

L: 43 cm / 16.9"  
W: 43 cm / 16.9"  
H: 32 cm / 12.6"

PESO / WEIGHT  
2 kg / 4.4 lbs





**PRODOTTO / PRODUCT**

PESO / WEIGHT  
18 kg / 39.7 lbs

**BOX 1**

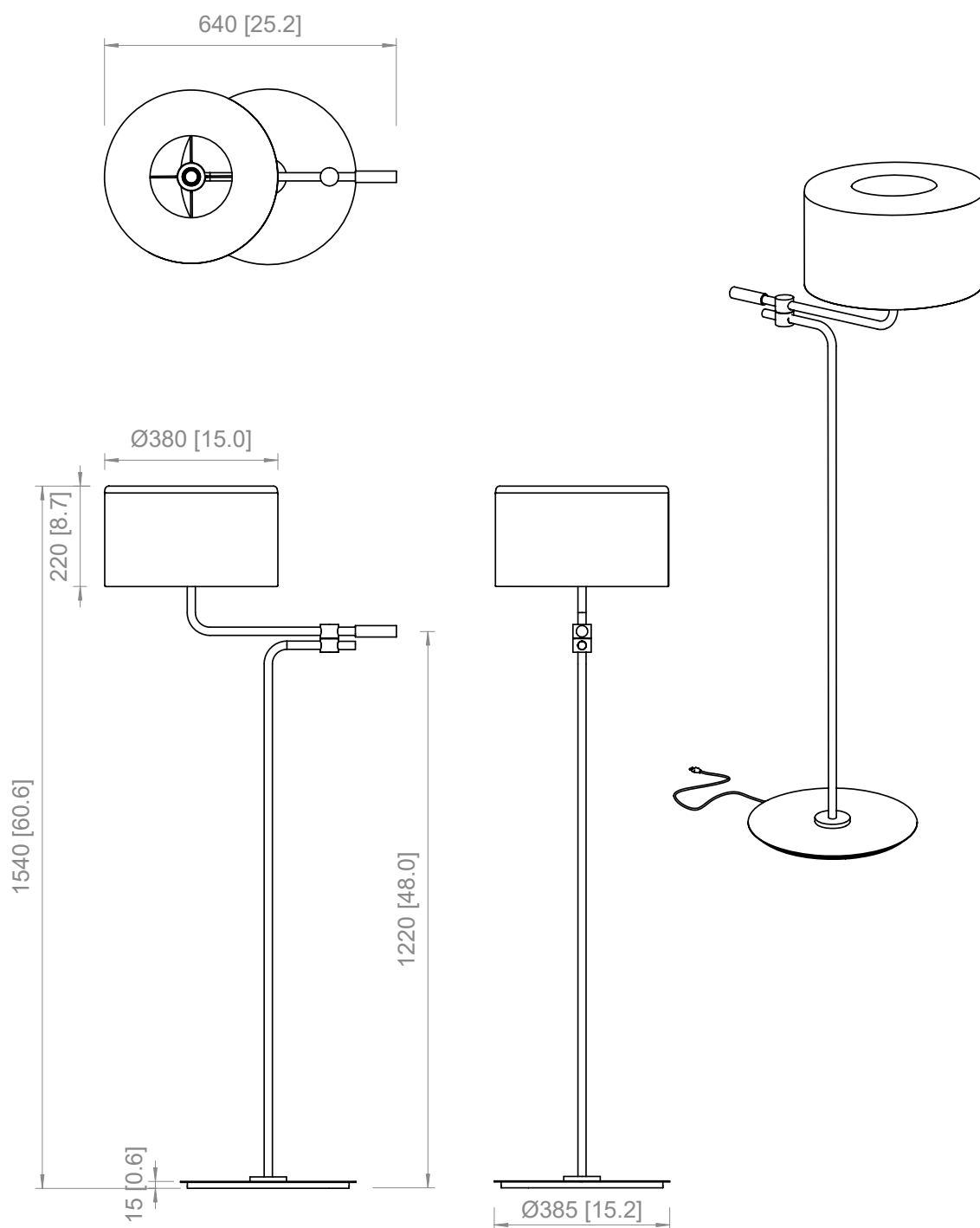
L: 50 cm / 19.7"  
W: 50 cm / 19.7"  
H: 143 cm / 56.3"

PESO / WEIGHT  
16 kg / 35.3 lbs

**BOX 2**

L: 43 cm / 16.9"  
W: 43 cm / 16.9"  
H: 32 cm / 12.6"

PESO / WEIGHT  
2 kg / 4.4 lbs

**PRODOTTO / PRODUCT**

PESO / WEIGHT  
18 kg / 39.7 lbs

**BOX 1**

L: 50 cm / 19.7"  
W: 50 cm / 19.7"  
H: 143 cm / 56.3"

PESO / WEIGHT  
16 kg / 35.3 lbs

**BOX 2**

L: 43 cm / 16.9"  
W: 43 cm / 16.9"  
H: 32 cm / 12.6"

PESO / WEIGHT  
2 kg / 4.4 lbs



Copyright and/or design rights subsist in this drawing. No part of this drawing may be reproduced in any material form (including photocopying or storing in any medium electronic means, whether or not intentionally and whether or not as part or a larger publication) without the express permission of the copyright owner, Contardi Lighting S.r.l.. Further and without prejudice to the above, this drawing and all information relating thereto is confidential, and shall not be communicated to a third party without the consent of Contardi lighting srl. Contardi lighting srl asserts all rights to be identified as the author of the work and otherwise.

**WARNING:** The doing of any unauthorised act in relation to a copyright work may result in both a civil claim for damages and criminal prosecution.

---

**CONTARDI LIGHTING Srl**

ITALY HEADQUARTERS

[www.contardi-italia.com](http://www.contardi-italia.com) / [sales@contardi-italia.it](mailto:sales@contardi-italia.it)

**CONTARDI USA Inc**

USA BRANCH

[www.contardi-usa.com](http://www.contardi-usa.com) / [sales@contardi-usa.com](mailto:sales@contardi-usa.com)

