

OOPS

Gianluigi Landoni



OOPS



Una taglia che sorprende, un nome quasi onomatopeico. Una lampada dal design moderno, con il braccio che proietta la luce in estensione, si adatta perfettamente ad ogni stile e ambiente.

A surprising size, an almost onomatopoeic name. A lamp with a modern design, with the arm that projects the light in extension, it perfectly adapts to any style and environment.

SPECIFICHE PRODOTTO / PRODUCT SPECIFICS

p2

OOPS

p3



STRUTTURA / FRAME



Noce Canaletto
Canaletto walnut

PARALUME / SHADE

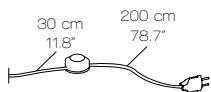


Cotone bianco
Cotton white

CAVO - INTERRUTTORE / CABLE - SWITCH

Tessuto nero
Interruttore On-Off
*Black fabric
On-Off switch*

L: 30 + 200 cm
L: 11.8" + 78.7"



FRONTE LUMINOSA / LIGHT SOURCE



E27 LED
Utilizzabili lampadine LED fino
alla massima potenza disponibile
sul mercato

*You can use LED light bulbs of
the highest available wattage*

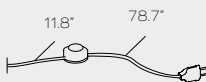
1 X E27
Lampadina LED
LED light bulb



USA / CABLE - SWITCH

Black cable
On-Off switch

L: 11.8" + 78.7"

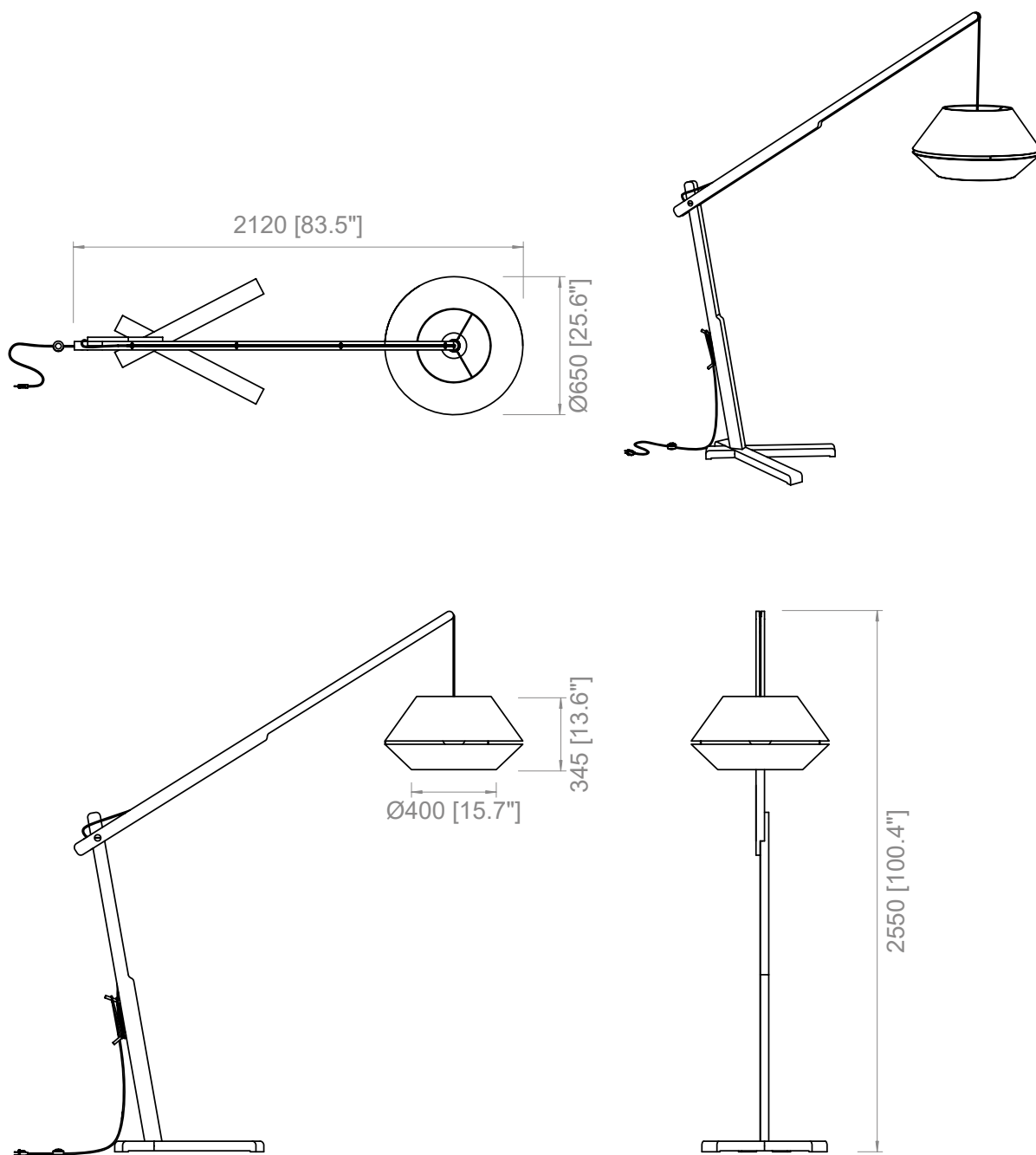


USA / LIGHT SOURCE



E26 LED
You can use LED light bulbs of
the highest available wattage

1 X E26
LED light bulb



PRODOTTO / PRODUCT

PESO / WEIGHT
19 kg / 41.8 lbs

BOX 1

L: 37 cm / 14.5"
W: 18 cm / 7"
H: 221 cm / 87"

PESO / WEIGHT
16 kg / 35.2 lbs

BOX 2

L: 76 cm / 29.9"
W: 76 cm / 29.9"
H: 45 cm / 17.7"

PESO / WEIGHT
7 kg / 15.4 lbs



Copyright and/or design rights subsist in this drawing. No part of this drawing may be reproduced in any material form (including photocopying or storing in any medium electronic means, whether or not intentionally and whether or not as part or a larger publication) without the express permission of the copyright owner, Contardi Lighting S.r.l.. Further and without prejudice to the above, this drawing and all information relating thereto is confidential, and shall not be communicated to a third party without the consent of Contardi lighting srl. Contardi lighting srl asserts all rights to be identified as the author of the work and otherwise.

WARNING: The doing of any unauthorised act in relation to a copyright work may result in both a civil claim for damages and criminal prosecution.

CONTARDI LIGHTING Srl

ITALY HEADQUARTERS

www.contardi-italia.com / sales@contardi-italia.it

CONTARDI USA Inc

USA BRANCH

www.contardi-usa.com / sales@contardi-usa.com

