

AP



SO



Precious simplicity.

Triangular elements with pure, essential lines, which emanate an atmospheric light while being functional. Light takes the leading role, thanks to the ribbed diffuser, chosen specifically to produce unique plays of illumination in various contexts. An aesthetically minimalist product, Stick is technically made to a very high standard, with no

screws or attachments, except on the back. Pure and architectural elements are combined within a lighting unit of great character. Stick lights its surroundings evenly when seen from the front; however, depending on the viewing angle, it creates different light effects. Currently, the Stick product range includes different versions, both wall-mounted and suspended.

PRODUCT SPECIFICS

STICK AP SMALL L.30

STICK AP MEDIUM L.60

STICK AP DOUBLE L.30/L.60

STICK AP TRIO

STICK SO L.90

STICK SO L.150

STICK SO TRIO

p.2

p.4

p.5

p.6

p.7

p.8

p.9

p.10

FRAME



Satin golden nickel finish



Satin copper finish

DIFFUSER



Ribbed plexiglass



LIGHT SOURCE

110V



Custom LED

AP SMALL L.30

1 x 13.5W
 Custom LED
 Light emission: 1.250 Lm
 2.700 K; CRI: >90
 IP20

AP MEDIUM L.60

1 x 27W
 Custom LED
 Light emission: 2.500 Lm
 2.700 K; CRI: >90
 IP20

AP DOUBLE L.30/L.60

1 x 13.5W + 1 x 27W
 Custom LED
 Light emission: 3.750 Lm
 2.700 K; CRI: >90
 IP20

AP TRIO

3 x 27W
 Custom LED
 Light emission: 7.500 Lm
 2.700 K; CRI: >90
 IP20

SO L.90

1 x 40W
 Custom LED
 Light emission: 3.750 Lm
 2.700 K; CRI: >90
 IP20

SO L.150

1 x 67.5W
 Custom LED
 Light emission: 6.250 Lm
 2.700 K; CRI: >90
 IP20

SO TRIO

6 x 40W
 Custom LED
 Light emission: 22.500 Lm
 2.700 K; CRI: >90
 IP20

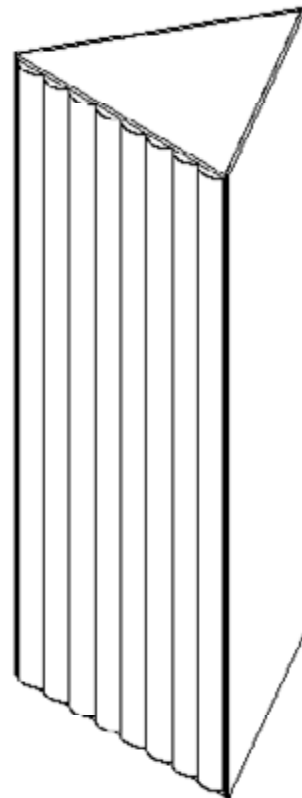
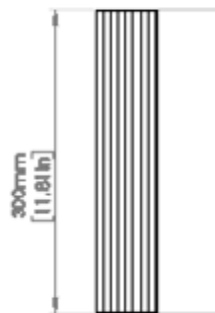
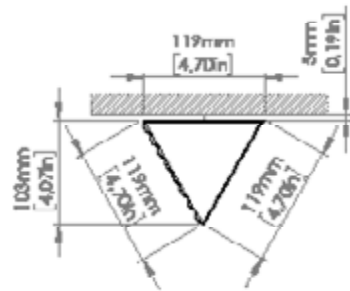
AP SMALL L.30 / MEDIUM L.60 / DOUBLE L.30-L.60

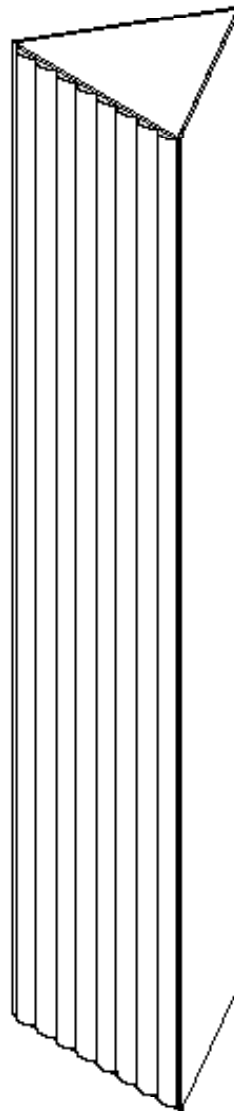
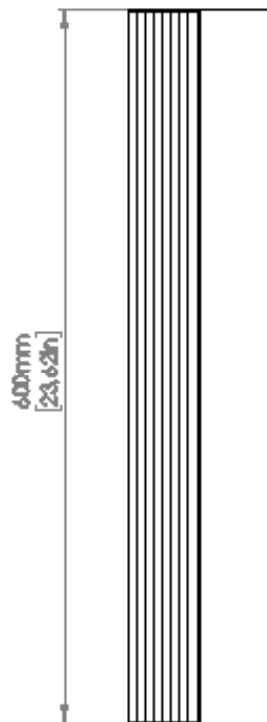
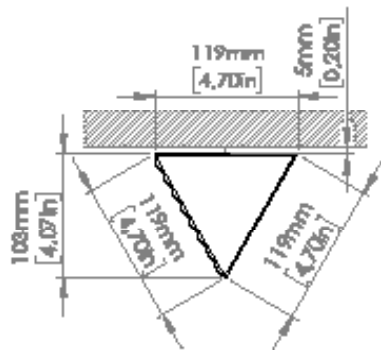
Phase cut dimming/Triac - 1 -10V dimming system
 available on demand

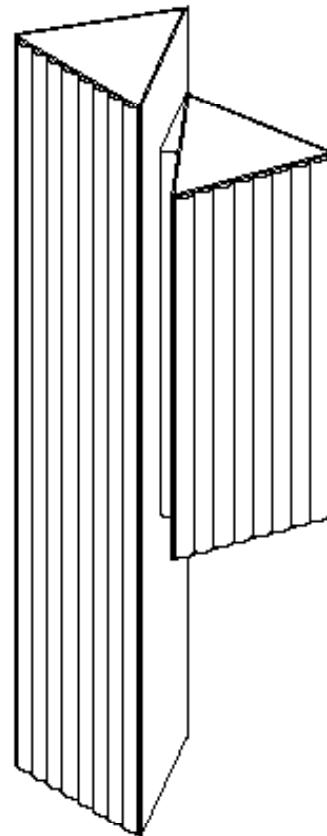
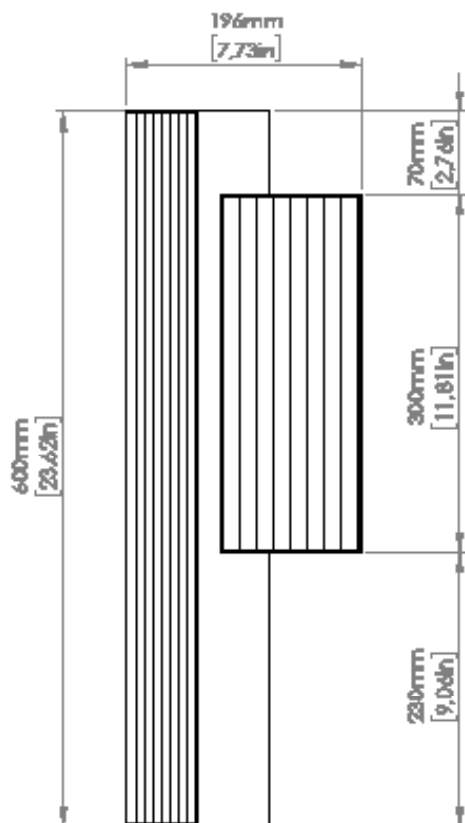
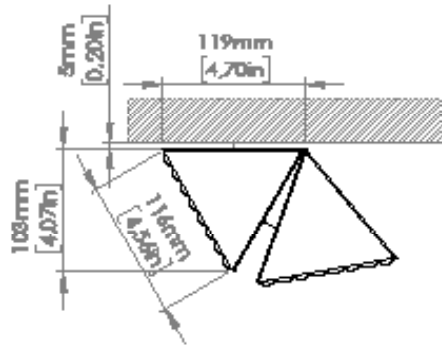
AP TRIO / SO

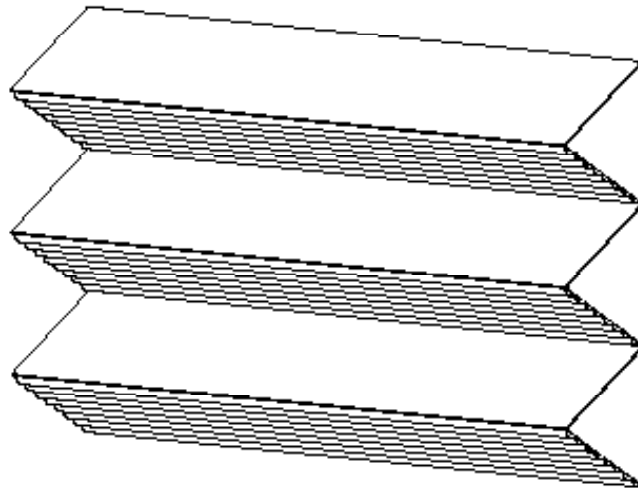
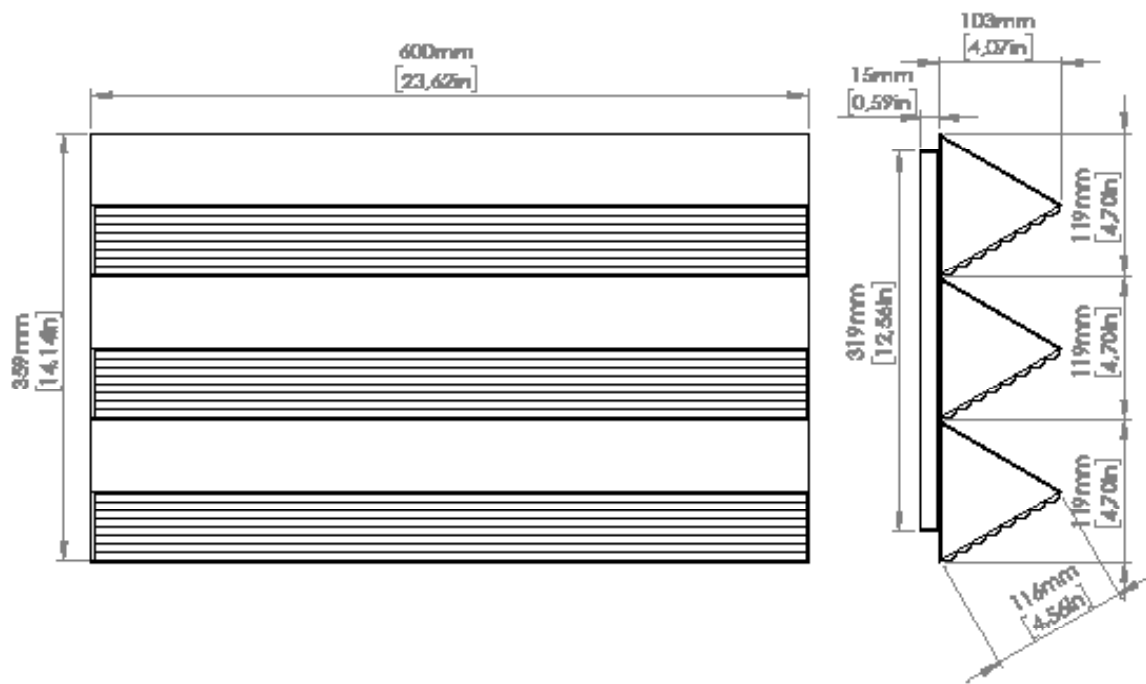
Phase cut dimming/Triac - 1 -10V dimming system
 available on demand

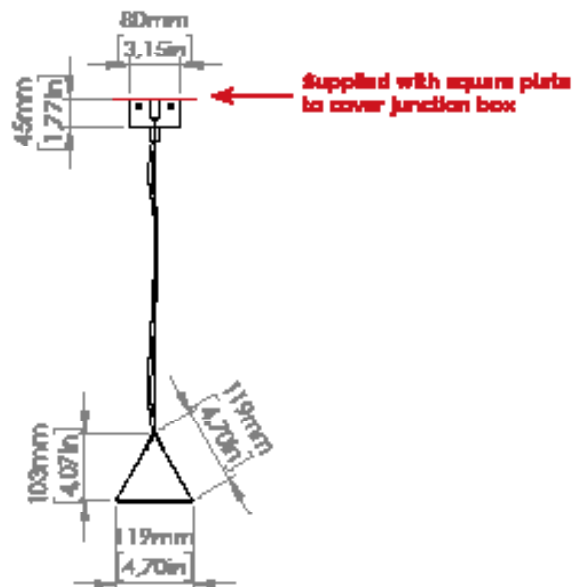
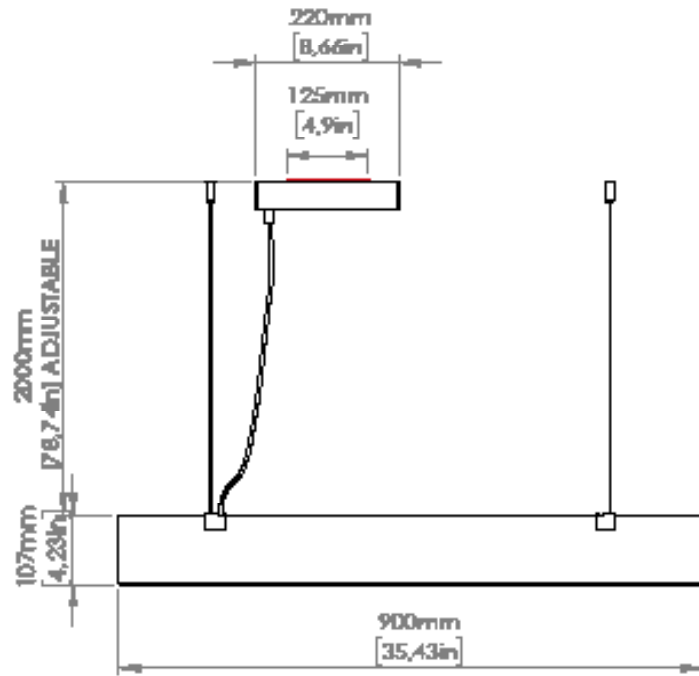


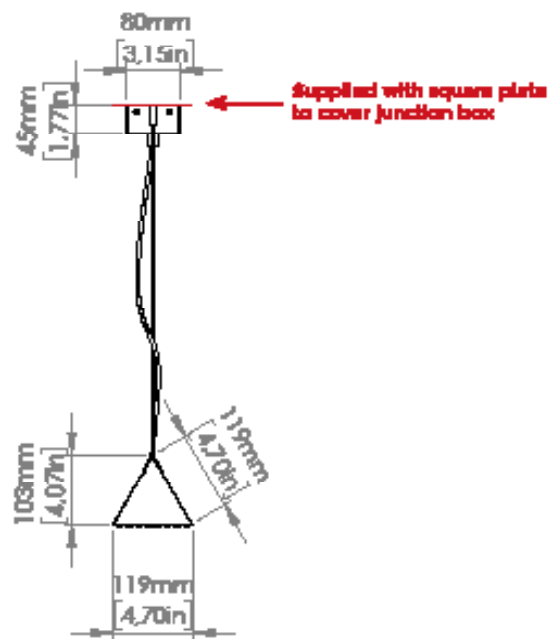
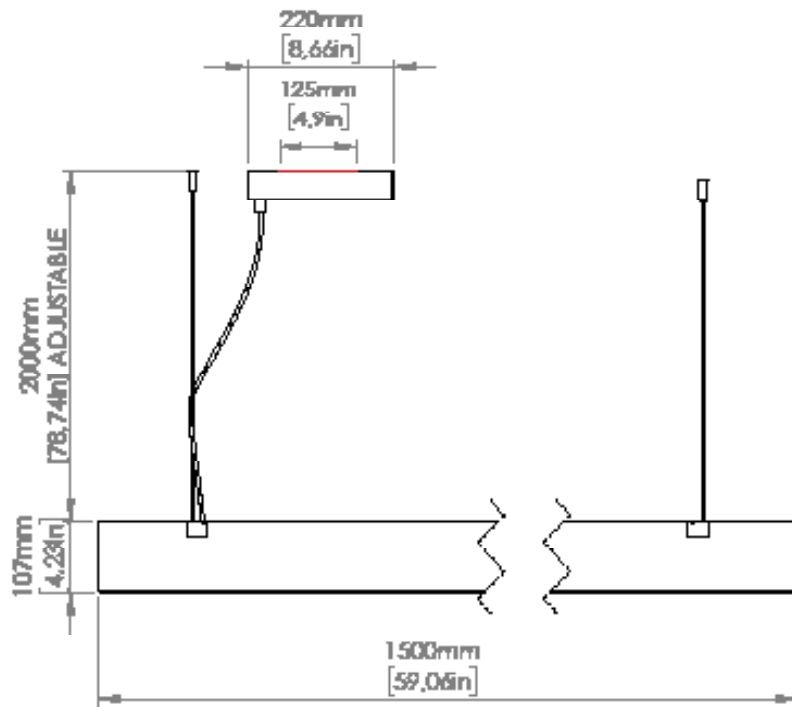


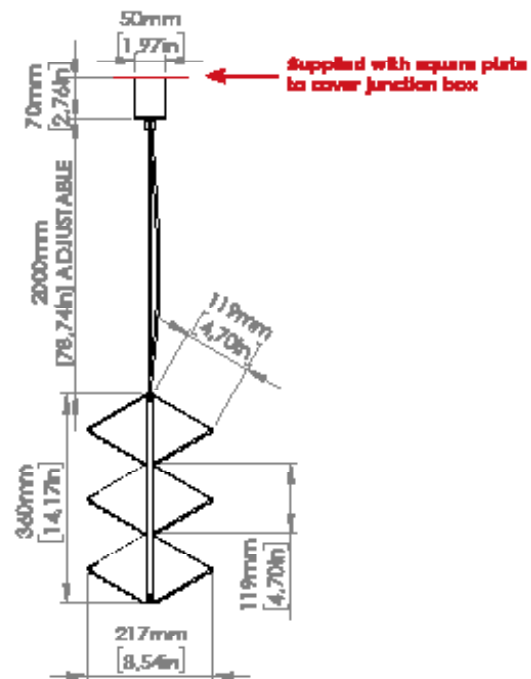
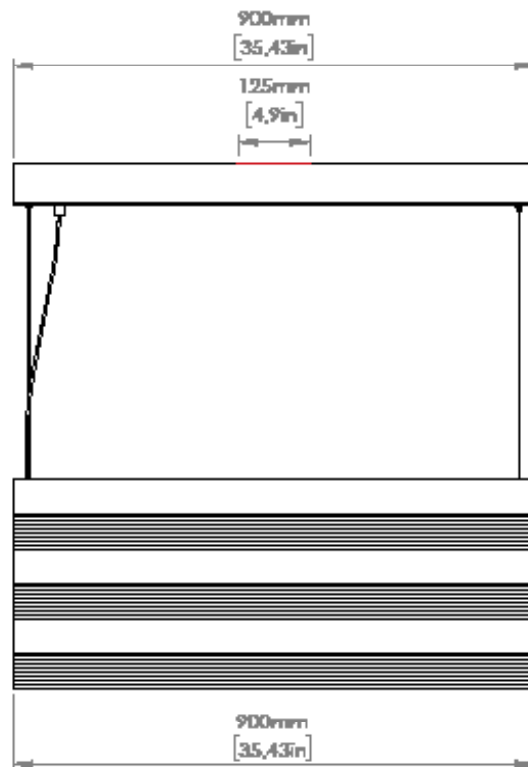












Copyright and/or design rights subsist in this drawing. No part of this drawing may be reproduced in any material form (including photocopying or storing in any medium electronic means, whether or not intentionally and whether or not as part or a larger publication) without the express permission of the copyright owner, Contardi Lighting S.r.l.. Further and without prejudice to the above, this drawing and all information relating thereto is confidential, and shall not be communicated to a third party without the consent of Contardi lighting srl. Contardi lighting srl asserts all rights to be identified as the author of the work and otherwise.

WARNING: The doing of any unauthorised act in relation to a copyright work may result in both a civil claim for damages and criminal prosecution.

CONTARDI LIGHTING Srl

ITALY HEADQUARTERS

contardi-italia.com / sales@contardi-italia.it

CONTARDI USA Inc

USA BRANCH

contardi-usa.com / office@contardi-usa.com

