

# Bogotá

Massimiliano Raggi



SMALL

LARGE



A light element that is fluid, like an object thrown upwards and which remains suspended. The idea of lightness is expressed, using a material that declares its contemporaneity, and which fits into our interiors with decisiveness and elegance. The luminous part, covered in Viennese straw set within a black lacquered oval, has a vintage yet very modern flavour – a style that reminds us

of Brazilian and South American modernist interiors of the 1960s and 70s. The version with the central section covered in marble-print fabric is more striking, but always distinctive and current. Also available in white cotton shade. Bogotá is a round, soft-sounding name that perfectly represents this lamp.

PRODUCT SPECIFICS

p.2

BOGOTÀ SMALL  
BOGOTÀ LARGE

p.3  
p.4

## FRAME



Black lacquered ring

## DIFFUSORE / DIFFUSER



Vienna straw



White Calacatta marble printed fabric



White cotton

## LIGHT SOURCE

### 110V

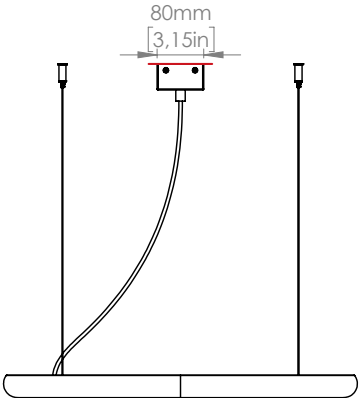
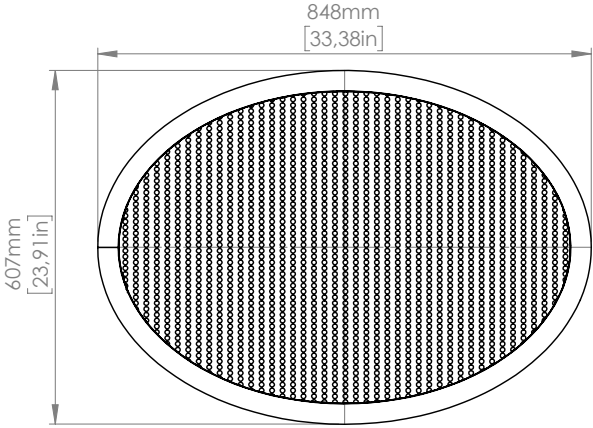
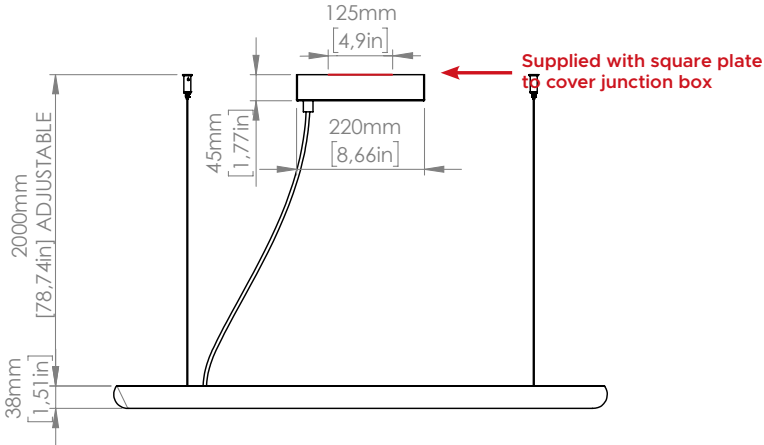
#### SMALL

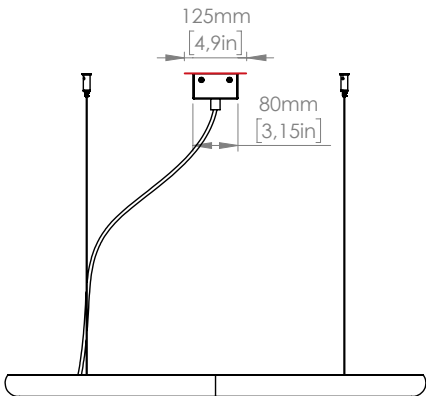
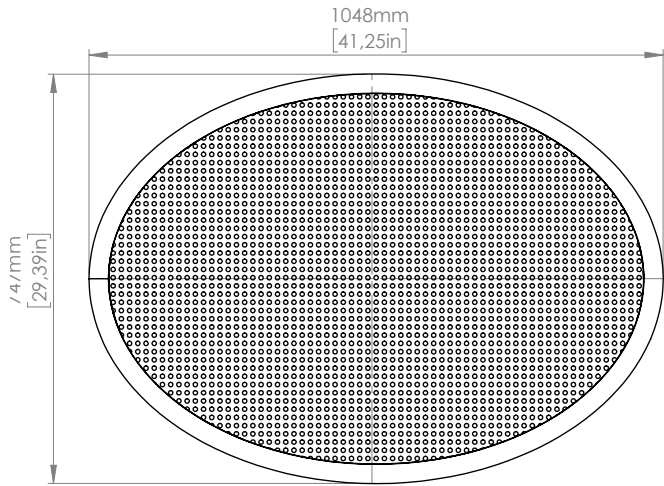
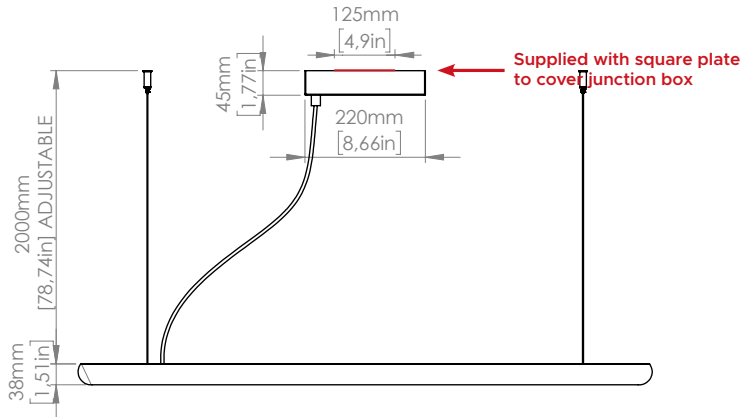
1 x 35W  
Panel LED  
Emission: 3,100 Lm  
3,000 K; CRI: >90  
IP20

#### LARGE

1 x 43W  
Panel LED  
Emission: 4,100 Lm  
3,000 K; CRI: >90  
IP20

1-10V dimmable.  
Other dimming systems available  
on demand





Copyright and/or design rights subsist in this drawing. No part of this drawing may be reproduced in any material form (including photocopying or storing in any medium electronic means, whether or not intentionally and whether or not as part or a larger publication) without the express permission of the copyright owner, Contardi Lighting S.r.l.. Further and without prejudice to the above, this drawing and all information relating thereto is confidential, and shall not be communicated to a third party without the consent of Contardi lighting srl. Contardi lighting srl asserts all rights to be identified as the author of the work and otherwise.

WARNING: The doing of any unauthorised act in relation to a copyright work may result in both a civil claim for damages and criminal prosecution.

---

**CONTARDI LIGHTING Srl**

ITALY HEADQUARTERS

[contardi-italia.com](http://contardi-italia.com) / [sales@contardi-italia.it](mailto:sales@contardi-italia.it)

**CONTARDI USA Inc**

USA BRANCH

[contardi-usa.com](http://contardi-usa.com) / [office@contardi-usa.com](mailto:office@contardi-usa.com)

