

G+T

Jan Van Lierde



SO



AP



BATTERY



READING



An innovative reading lamp, born from the idea of a portable and luxurious product to meet specific space and installation needs; this makes it suitable for contexts such as yachts and superyachts, historic buildings, or exclusive boutique stores. The head recalls a cocktail jigger (as the name G+T, or gin & tonic, suggests), and the arm is in brass covered with braided leather. Available in the battery version with a magnetic connection, or wall-mounted. The battery-

powered model is rechargeable via the USB Type-C port (which in the wired version is used for charging smartphones or tablets). The control (with three intensity levels) is conveniently positioned on the head. The battery-powered version comes with the following accessories: a wall-mounted bracket, a bracket for table fixing, and a leather pocket with counterweight for an armchair/sofa armrest. Now also available in the reading and so version.

PRODUCT SPECIFICS

p.2

G+T SO

p.4

G+T AP

p.5

G+T BATTERY

p.6

TABLE FIXING ACCESSORY

p.7

WALL FIXING ACCESSORY

p.8

SEATS & SOFA FIXING ACCESSORY

p.9

G+T READING

P.10

BASE



Polished copper bronze



Polished nickel



Matt black silk lacquered
(G+T so & reading)

FRAME



Dark brown braided leather

FIXINGS FOR BATTERY VERSION

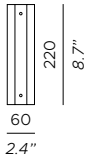


Table fixing accessory
- PVD polished copper bronze
- PVD polished nickel

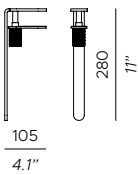
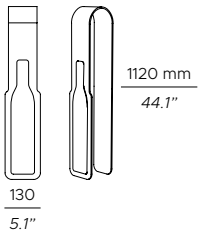


Table fixing accessory
- Dark brown leather



Seats & sofa fixing accessory
- Dark brown leather

LIGHT SOURCE

110V

○ Custom LED

AP / BATTERY

1 X 3W
 Custom LED
 Light emission: 500 Lm
 3.000 K; CRI: >90
 IP20

3-level control on the head
 (100% - 70% - 30%)

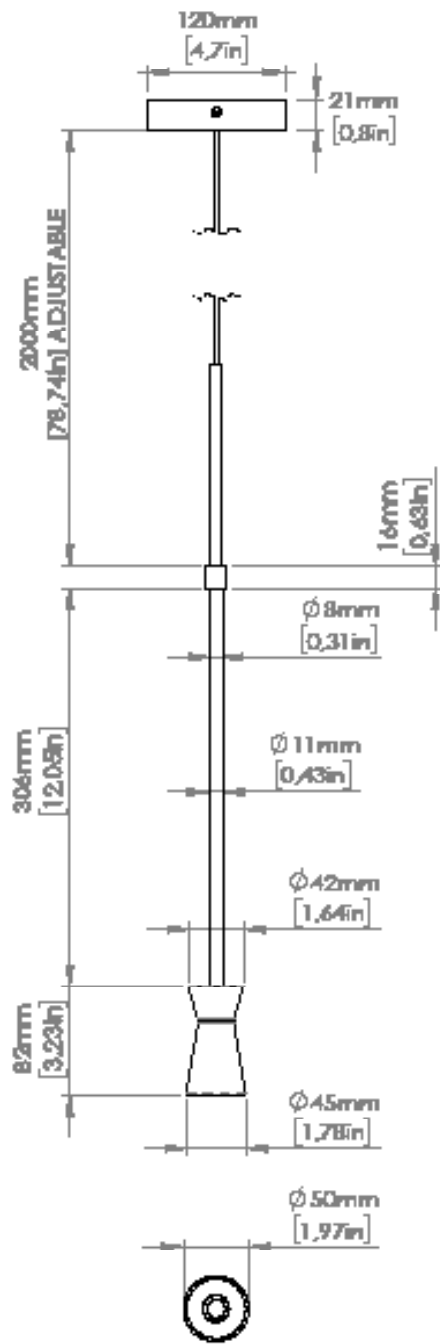
SO / READING

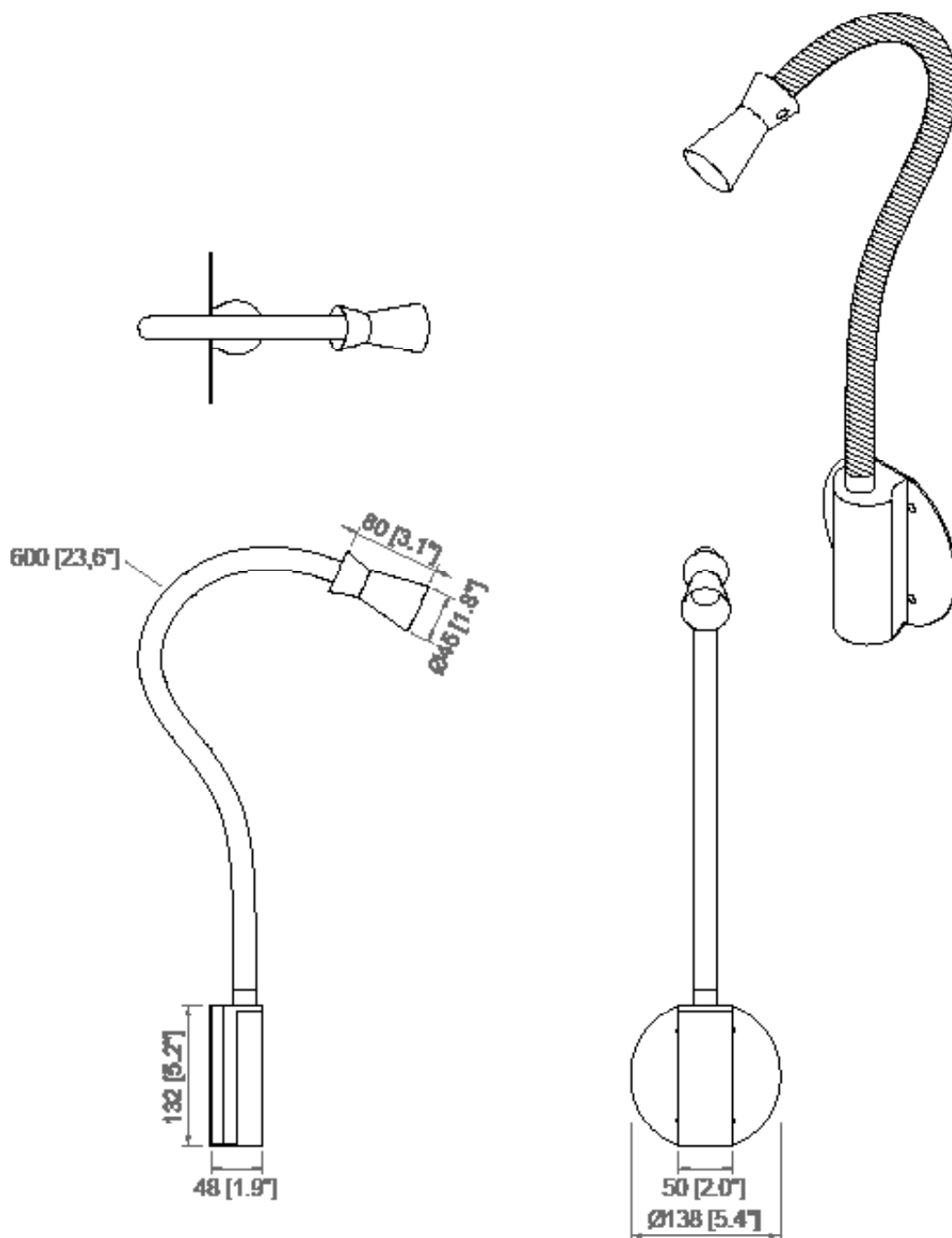
1 X 3W
 Custom LED
 Light emission: 500 Lm
 2.700 K; CRI: >90
 IP20

BATTERY VERSION

Autonomy: 8 hours
 Lifestyle cycles: 600
 Charging time: 5/6 hours
 USB cable type C supplied,
 charger adapter not supplied






PRODOTTO / PRODUCT **IMBALLI / PACKAGING**
Peso-Weight

1 kg / 2.2 lbs

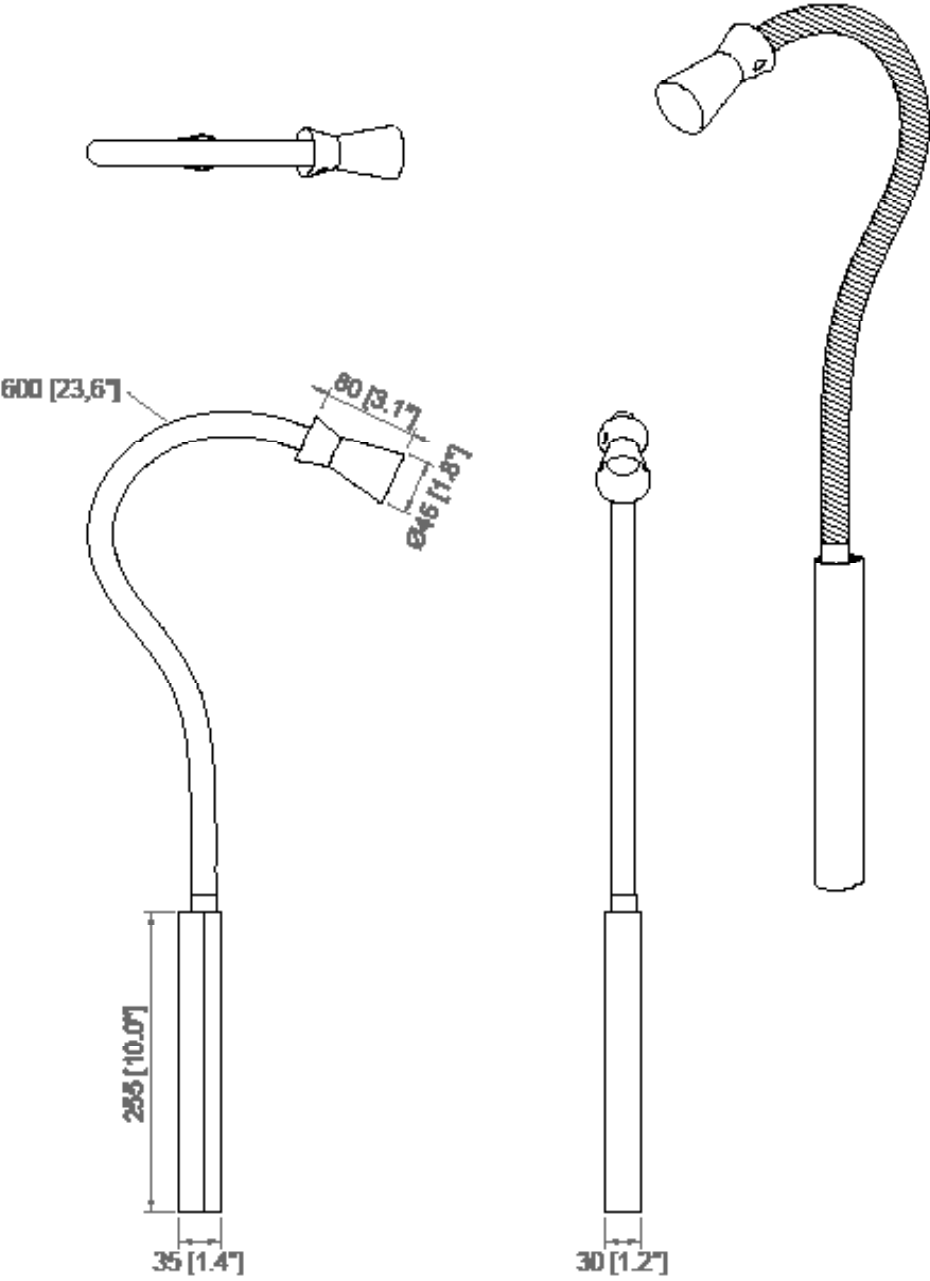
Box 1

L: 1005 mm / 39.6"

P-W: 185 mm / 7.3"

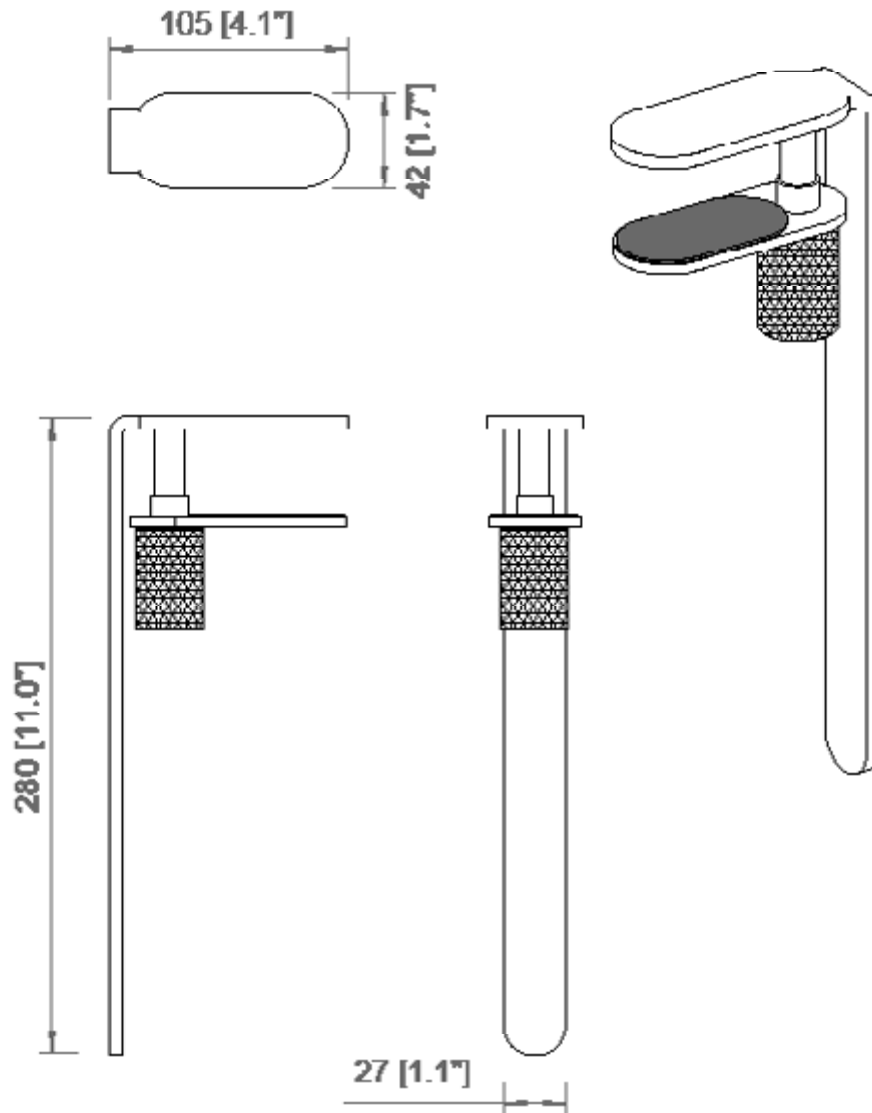
H: 80 mm / 3.1"

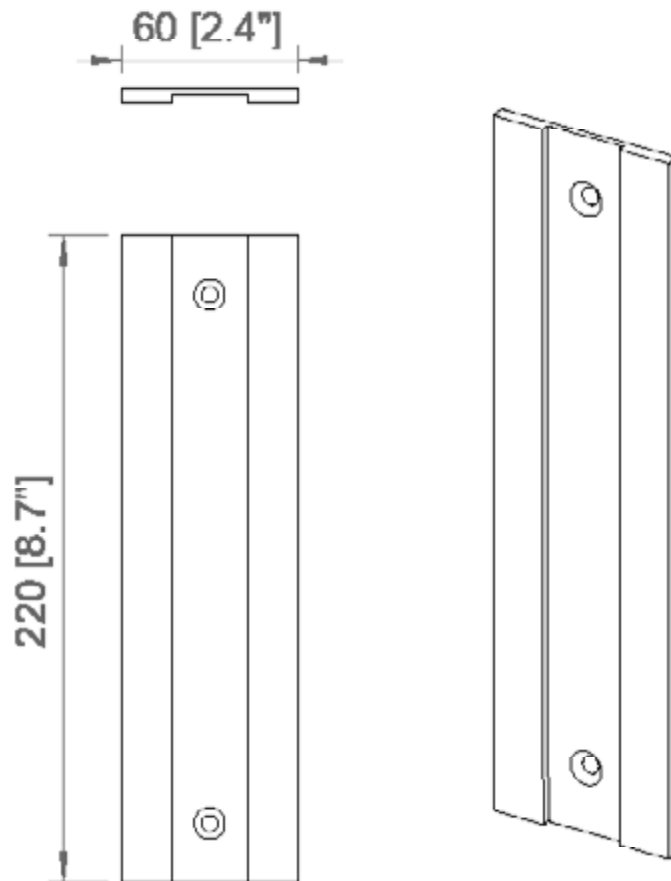
Peso-weight: 1.5 kg / 3.3 lbs

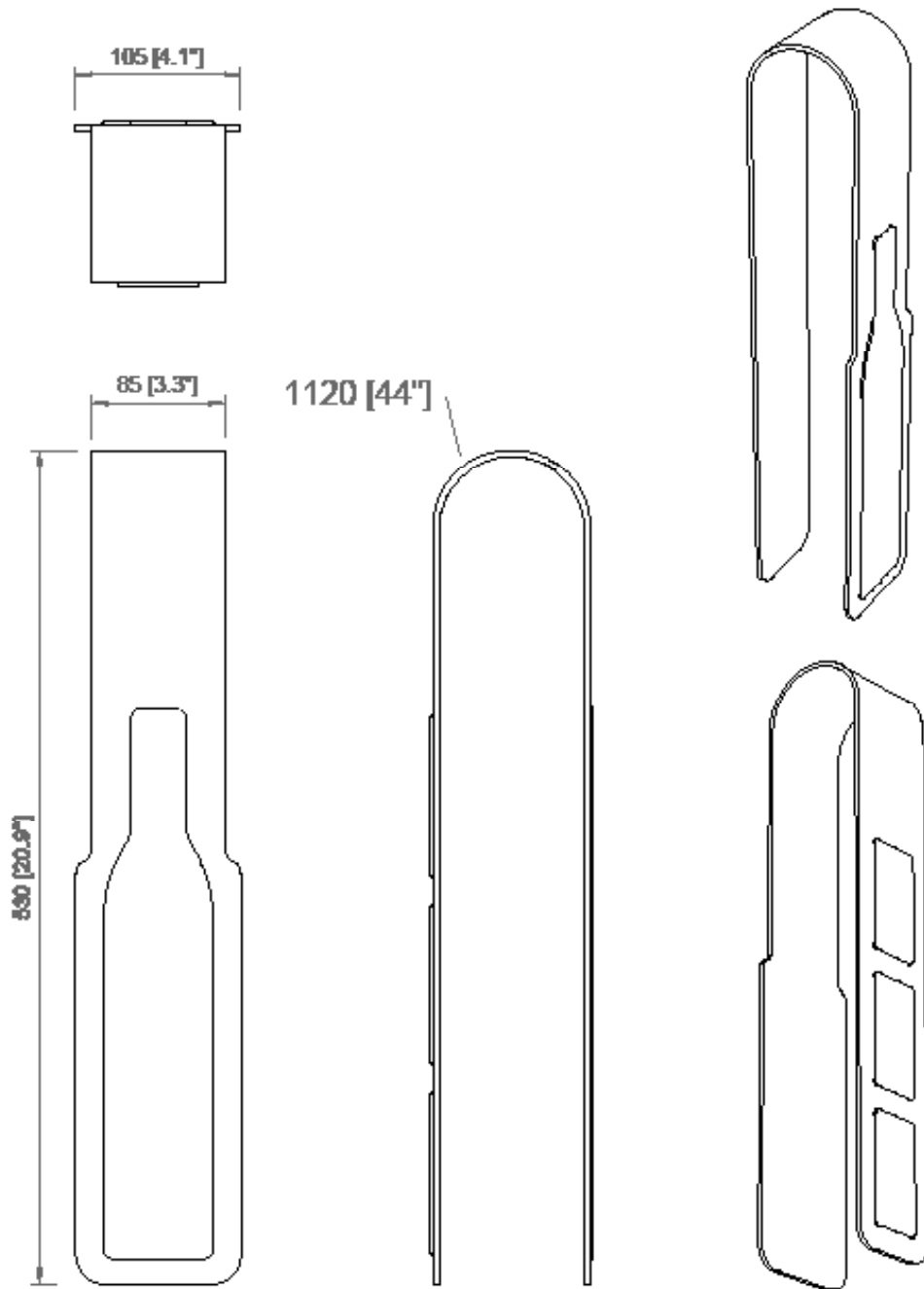


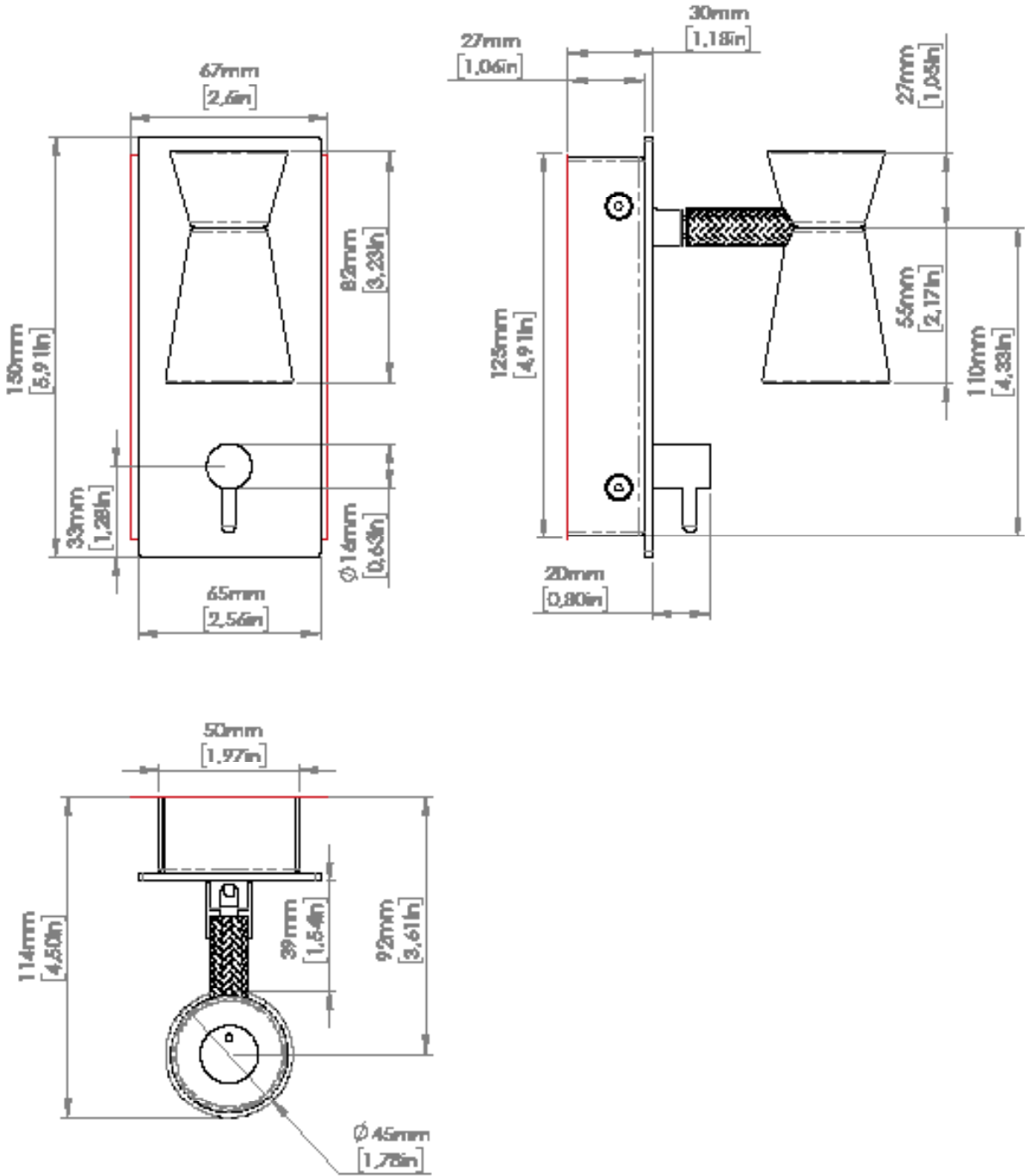
PRODOTTO / PRODUCT **IMBALLI / PACKAGING**

Peso-Weight 1 kg / 2.2 lbs	Box 1 L: 1005 mm / 39.6" P-W: 185 mm / 7.3" H: 80 mm / 3.1" Peso-weight: 1.5 kg / 3.3 lbs
--------------------------------------	--









Copyright and/or design rights subsist in this drawing. No part of this drawing may be reproduced in any material form (including photocopying or storing in any medium electronic means, whether or not intentionally and whether or not as part or a larger publication) without the express permission of the copyright owner, Contardi Lighting S.r.l.. Further and without prejudice to the above, this drawing and all information relating thereto is confidential, and shall not be communicated to a third party without the consent of Contardi lighting srl. Contardi lighting srl asserts all rights to be identified as the author of the work and otherwise.

WARNING: The doing of any unauthorised act in relation to a copyright work may result in both a civil claim for damages and criminal prosecution.

CONTARDI LIGHTING Srl

ITALY HEADQUARTERS

contardi-italia.com / sales@contardi-italia.it

CONTARDI USA Inc

USA BRANCH

contardi-usa.com / office@contardi-usa.com

