

Manhattan

Contardi Studio



Reading lamp, for use on the bed side or directly on the headboard, it is characterised by a double jointed arm that moves both on the axis of the base and on the joint between the two arms.

The head is adjustable.
Available in two finishes and with or without switch.

SPECIFICHE PRODOTTO / PRODUCT SPECIFICS

p.2

MANHATTAN AP

p.4

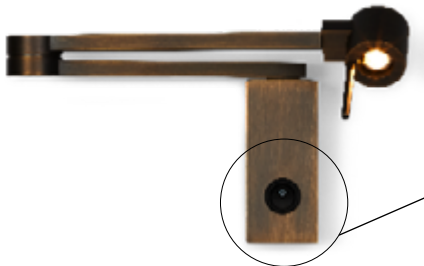
FRAME



Satin bronze



Satin nickel



Available with or without switch



110V

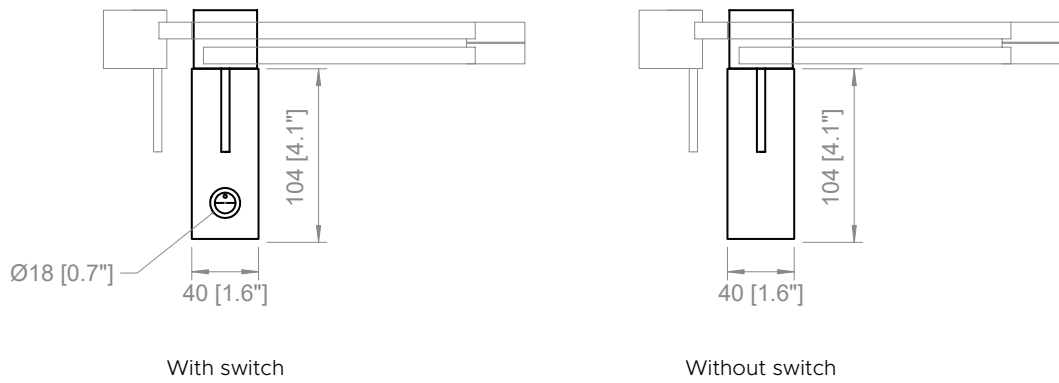


LED module

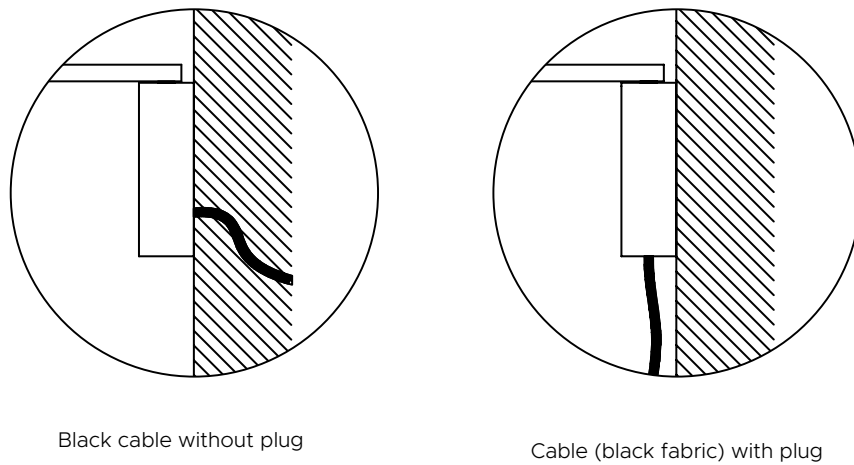
1 x 3W
LED module
Light emission: 500 Lm
2.700 K; CRI: >90
IP20

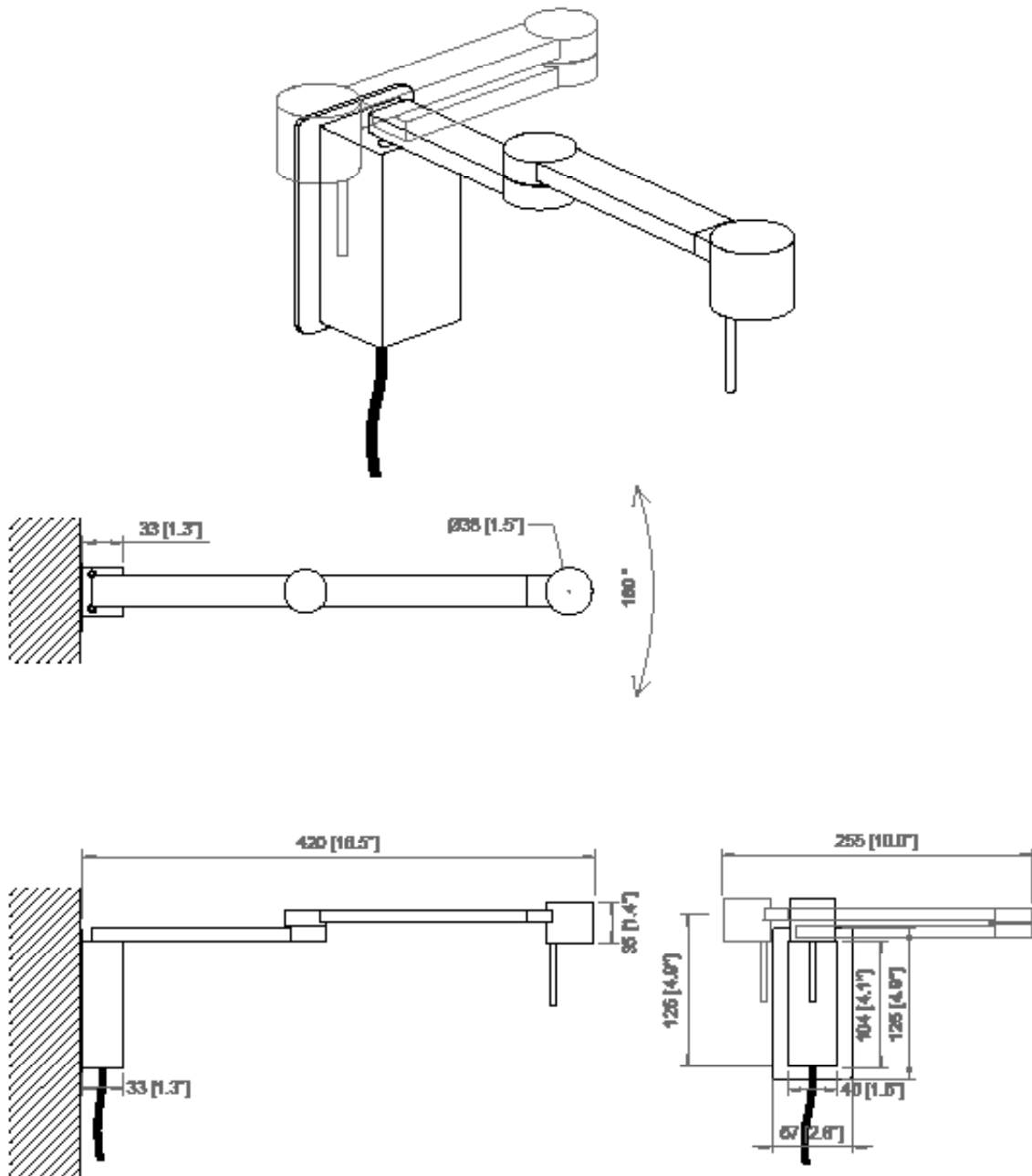


MANHATTAN AP - WITH OR WITHOUT SWITCH



MANHATTAN AP - CABLE OUTPUT





PRODOTTO / PRODUCT IMBALLI / PACKAGING

Peso-Weight
0.5 kg / 1.1 lbs

Box 1
L: 210 mm / 8.2"
P-W: 330 mm / 13"
H: 48 mm / 1.9"
Peso-Weight: 1.5 kg / 3.3 lbs

Copyright and/or design rights subsist in this drawing. No part of this drawing may be reproduced in any material form (including photocopying or storing in any medium electronic means, whether or not intentionally and whether or not as part or a larger publication) without the express permission of the copyright owner, Contardi Lighting S.r.l.. Further and without prejudice to the above, this drawing and all information relating thereto is confidential, and shall not be communicated to a third party without the consent of Contardi lighting srl. Contardi lighting srl asserts all rights to be identified as the author of the work and otherwise.

WARNING: The doing of any unauthorised act in relation to a copyright work may result in both a civil claim for damages and criminal prosecution.

CONTARDI LIGHTING Srl

ITALY HEADQUARTERS

contardi-italia.com / sales@contardi-italia.it

CONTARDI USA Inc

USA BRANCH

contardi-usa.com / office@contardi-usa.com

