

Stick so

Studiopepe



SO



SO TRIO



Precious simplicity.

Triangular elements with pure, essential lines, which emanate an atmospheric light while being functional. Light takes the leading role, thanks to the ribbed diffuser, chosen specifically to produce unique plays of illumination in various contexts. An aesthetically minimalist product, Stick is technically made to a very high

standard, with no screws or attachments, except on the back. Pure and architectural elements are combined within a lighting unit of great character. Stick lights its surroundings evenly when seen from the front; however, depending on the viewing angle, it creates different light effects. The The Stick product range consists of wall, pendant and floor lamps.

PRODUCT SPECIFICS

STICK SO SMALL L.90
STICK SO LARGE L.150
STICK SO TRIO

p.2

p.3

p.4

p.5

FRAME



Satin golden nickel



Satin copper

DIFFUSER



Striped plexiglass

LIGHT SOURCE

110V



Custom LED

SO L.90

1 x 40W

Custom LED

Light emission: 3.750 Lm

2.700 K; CRI: >90

IP20

SO L.150

1 x 65W

Custom LED

Light emission: 6.250 Lm

2.700 K; CRI: >90

IP20

SO TRIO

6 x 40W

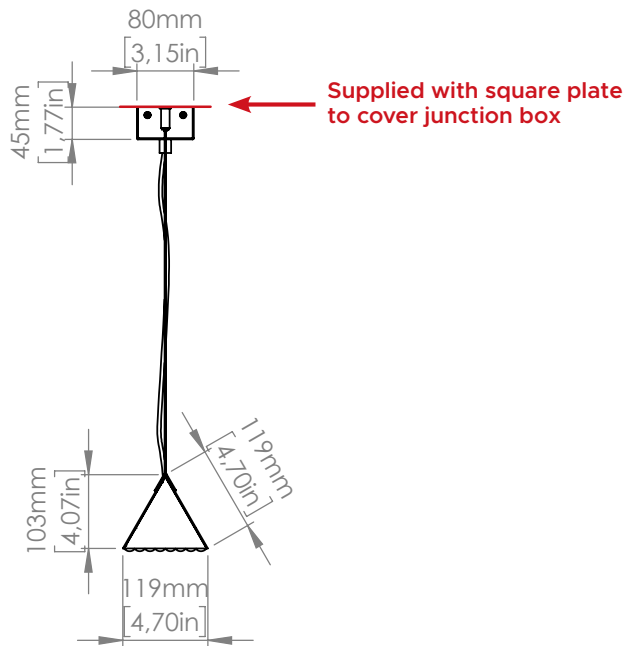
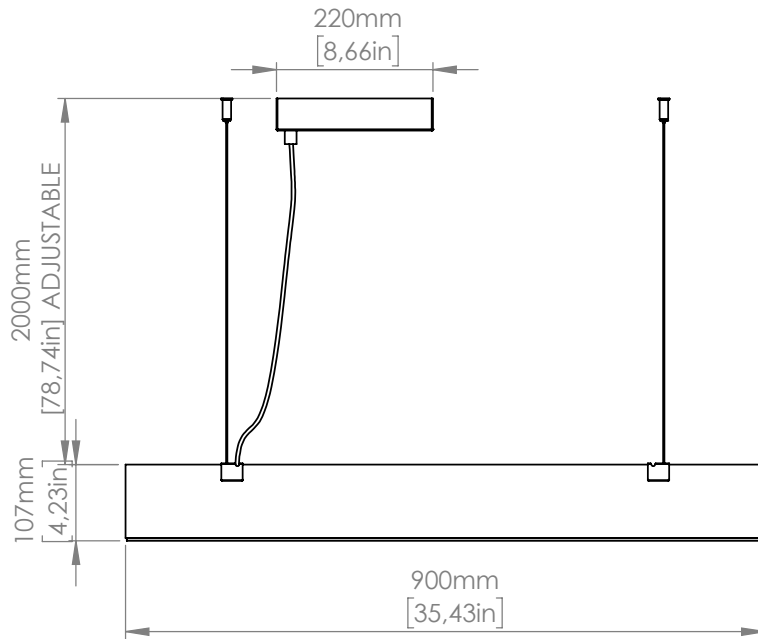
Custom LED

Light emission: 22.500 Lm

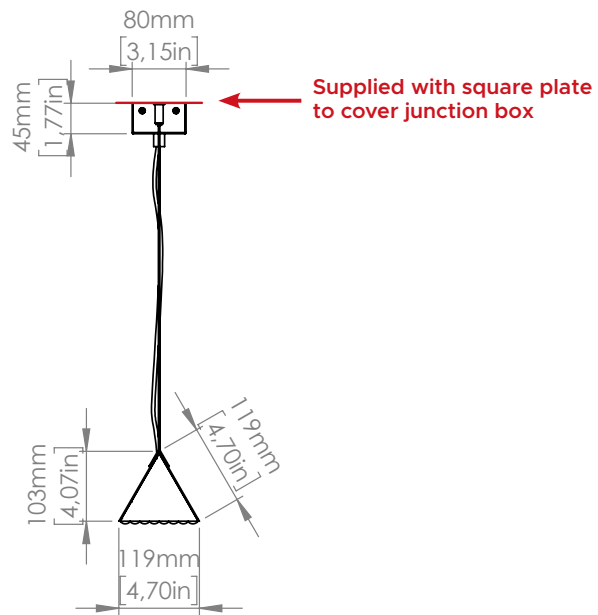
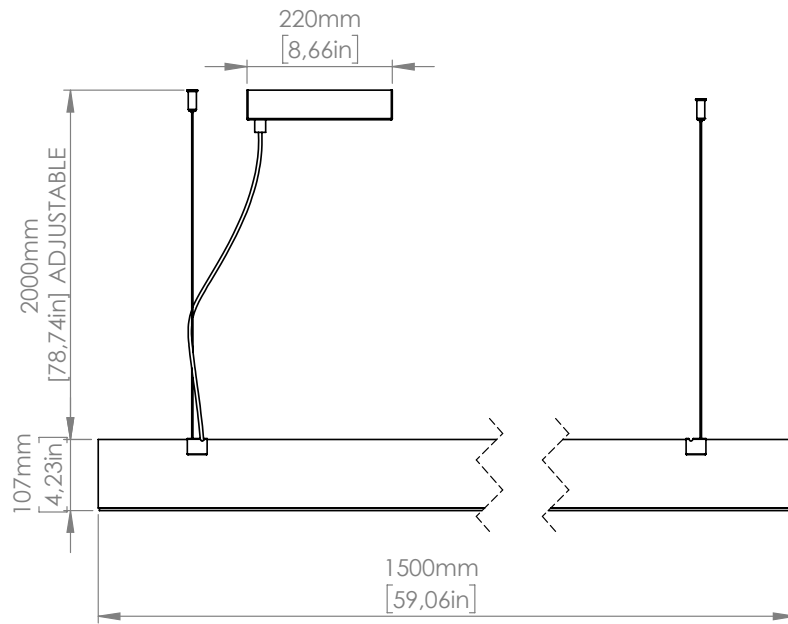
2.700 K; CRI: >90

IP20

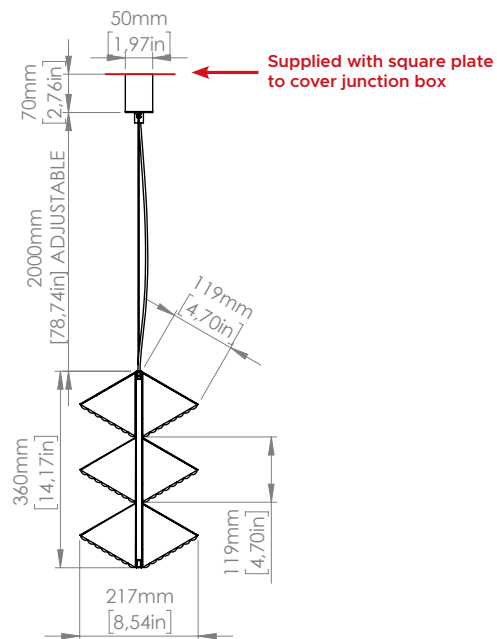
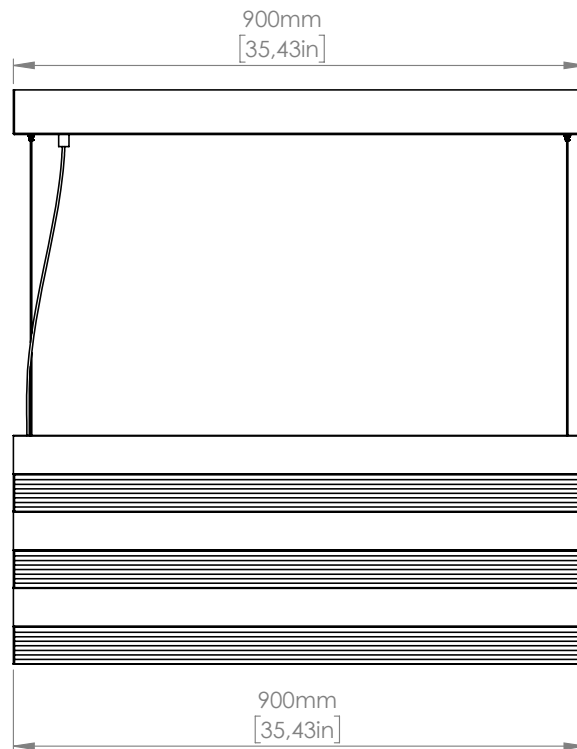
Phase cut/Triac dimming - alternative 1-10V dimming system available on demand



PRODUCT	PACKAGING
Weight 9.9 lbs	Box 1 L: 38.5" W: 6.7" H: 7.1" Weight: 11 lbs



PRODUCT	PACKAGING
Weight 15.4 lbs	Box 1 L: 62.6" W: 7.1" H: 7.1" Weight: 16.5 lbs



PRODUCT	PACKAGING
Weight 55.1 lbs	Box 1 L: 47.2" W: 47.2" H: 35.4" Weight: 61.7 lbs

Copyright and/or design rights subsist in this drawing. No part of this drawing may be reproduced in any material form (including photocopying or storing in any medium electronic means, whether or not intentionally and whether or not as part or a larger publication) without the express permission of the copyright owner, Contardi Lighting S.r.l.. Further and without prejudice to the above, this drawing and all information relating thereto is confidential, and shall not be communicated to a third party without the consent of Contardi lighting srl. Contardi lighting srl asserts all rights to be identified as the author of the work and otherwise.

WARNING: The doing of any unauthorised act in relation to a copyright work may result in both a civil claim for damages and criminal prosecution.

CONTARDI LIGHTING Srl

ITALY HEADQUARTERS

contardi-italia.com / sales@contardi-italia.it

CONTARDI USA Inc

USA BRANCH

contardi-usa.com / office@contardi-usa.com

