

Bianca

Dainelli Studio



WALL

WALL LINEAR

TABLE

LISEUSE

SUSPENSION

DOUBLE
SUSPENSION



Traendo ispirazione dall'intricata struttura di un fiocco di neve, Bianca è composta da moduli che sono stati disposti in una sequenza precisa per garantire la dinamicità della lampada.

Bianca è disponibile nelle finiture ottone e laccato nero seta opaco. Le sorgenti luminose, in finitura vetro bianco opale, sono incluse.

Montata a parete o come lampada a sospensione, utilizzata come lampada da lettura o da terra, questa lampada è sia un pezzo funzionale sia di grande impatto decorativo, che aggiunge eleganza e raffinatezza all'ambiente circostante.

Drawing inspiration from the intricate structure of a snowflake, Bianca is made of irregular modules that have been arranged in a precise sequence to ensure the lamp's stability.

The Bianca collection is available in brass and matt black silk lacquered finishes. The light sources, in opal white glass finish, are included. Whether mounted on a wall or a pendant light, used as a reading or floor lamp, this is both a functional and a striking decorative piece that adds elegance and sophistication to its surroundings.

SPECIFICHE PRODOTTO / PRODUCT SPECIFICS

p.2

BIANCA PARETE SENZA BASETTA / WALL WITHOUT BASE

p.4

BIANCA PARETE CON BASETTA / WALL WITH BASE

p.5

BIANCA PARETE LINEAR SENZA BASETTA / WALL WITHOUT BASE

p.6

BIANCA PARETE LINEAR CON BASETTA / WALL WITH BASE

p.7

BIANCA SOSPENSIONE / SUSPENSION

p.8

BIANCA SOSPENSIONE DOPPIA / DOUBLE SUSPENSION

p.9

BIANCA TAVOLO / TABLE

p.10

BIANCA LISEUSE

p.11

STRUTTURA / FRAME

Laccato nero seta opaco
Matt black silk lacquered



Ottone
Brass

DIFFUSORE / DIFFUSER

Vetro bianco latte
Milky white glass

FONTE LUMINOSA / LIGHT SOURCE**220-240V**

Lampadina LED Custom
Custom light bulbs

**PARETE CON BASETTA / SENZA BASETTA
WALL WITH BASE / WITHOUT BASE**

2 x 4.4W Custom light bulbs
Emissione / Light emission: 700 Lm
+ 2 x 5.6W Custom light bulbs
Emissione / Light emission: 980 Lm
3.000 K; CRI: >90
IP20

**PARETE LINEAR
WALL LINEAR**

1 x 5.6W Custom light bulbs
Emissione / Light emission: 490 Lm
+ 1 x 9.1W Custom light bulbs
Emissione / Light emission: 900 Lm
3.000 K; CRI: >90
IP20

**TAVOLO / LISEUSE
TABLE / LISEUSE**

1 x 9.1W Custom light bulbs
Emissione / Light emission: 900 Lm
3.000 K; CRI: >90
IP20

SOSPENSIONE / SUSPENSION

3 x 5.6W Custom light bulbs
Emissione / Light emission: 1.470 Lm
+ 3 x 9.1W Custom light bulbs
Emissione / Light emission: 2.700 Lm
3.000 K; CRI: >90
IP20

**SOSPENSIONE DOPPIA
DOUBLE SUSPENSION**

6 x 5.6W Custom light bulbs
Emissione / Light emission: 2.940 Lm
+ 6 x 9.1W Custom light bulbs
Emissione / Light emission: 5.400 Lm
3.000 K; CRI: >90
IP20

Dimmerazione a taglio di fase/Triac - altri sistemi di dimmerazione (DALI e 1-10V) disponibili su richiesta

Phase cut/Triac dimming - alternative dimming systems (DALI and 1-10V) available on demand

  Bianca

110V

Lampadina LED Custom
Custom light bulbs

WALL WITH BASE / WITHOUT BASE

2 x 4.4W Custom light bulbs
Light emission: 700 Lm
+ 2 x 5.6W Custom light bulbs
Light emission: 980 Lm
3.000 K; CRI: >90
IP20

WALL LINEAR

1 x 5.6W Custom light bulbs
Light emission: 490 Lm
+ 1 x 9.1W Custom light bulbs
Light emission: 900 Lm
3.000 K; CRI: >90
IP20

TABLE / LISEUSE

1 x 9.1W Custom light bulbs
Light emission: 900 Lm
3.000 K; CRI: >90
IP20

SUSPENSION

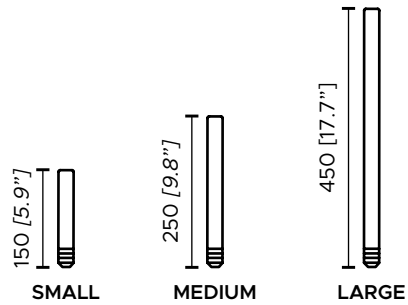
3 x 5.6W Custom light bulbs
Light emission: 1.470 Lm
+ 3 x 9.1W Custom light bulbs
Light emission: 2.700 Lm
3.000 K; CRI: >90
IP20

DOUBLE SUSPENSION

6 x 5.6W Custom light bulbs
Light emission: 2.940 Lm
+ 6 x 9.1W Custom light bulbs
Light emission: 5.400 Lm
3.000 K; CRI: >90
IP20

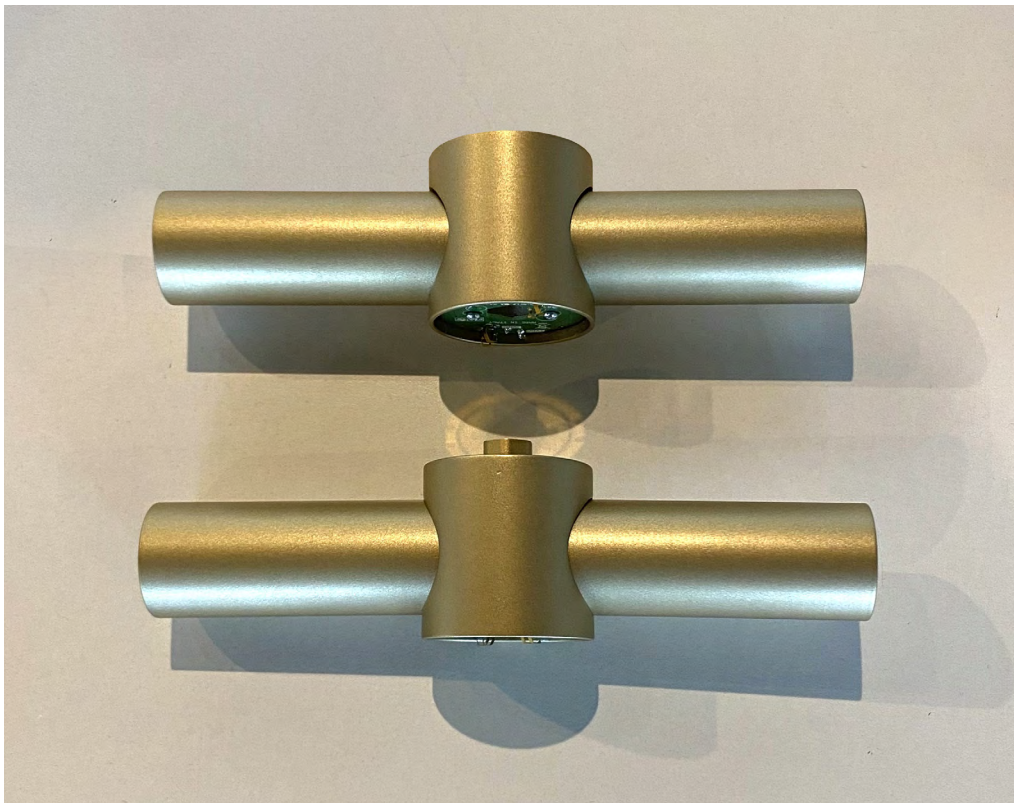
Phase cut/Triac dimming - alternative dimming systems (DALI and 1-10V) available on demand

LAMPADINE LED CUSTOM BY CONTARDI / CUSTOM LED BULBS BY CONTARDI



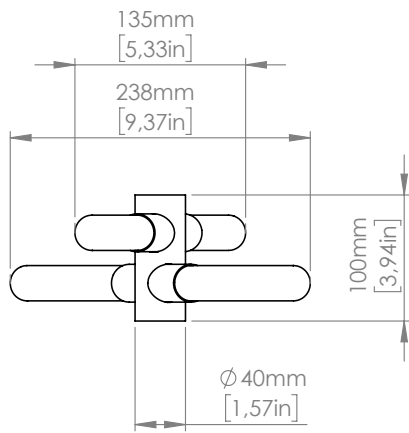
Lampadine tubolari E14 a 24V, disponibili in tre dimensioni: small, medium e large.

Tubular light sources E14 24V, available in three sizes: small, medium and large.

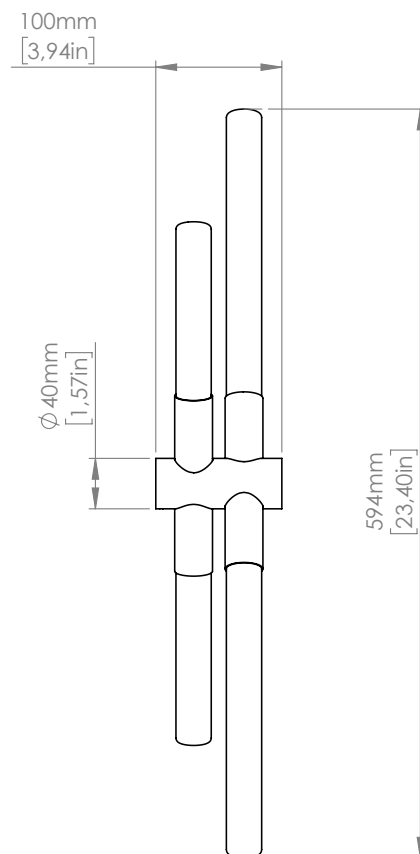
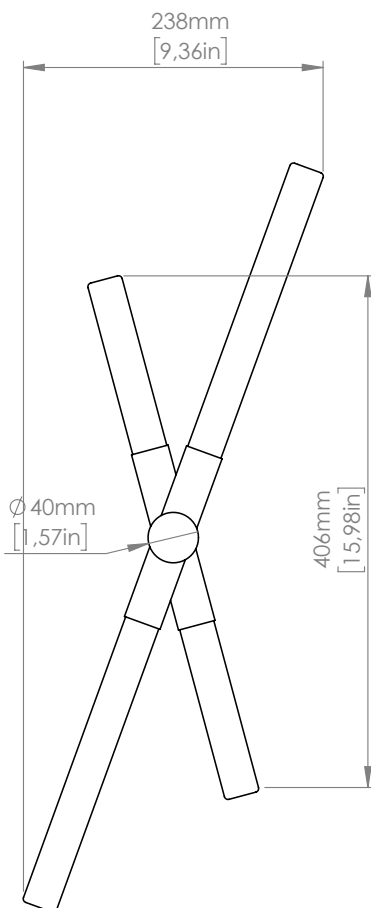
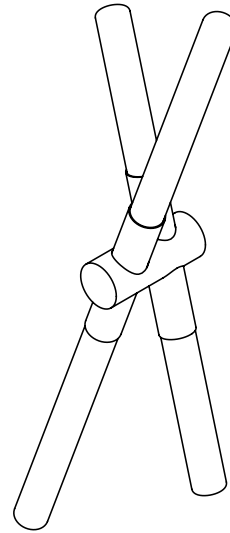


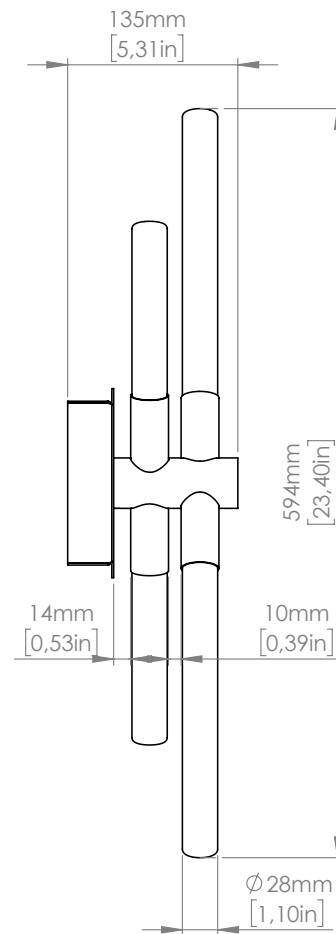
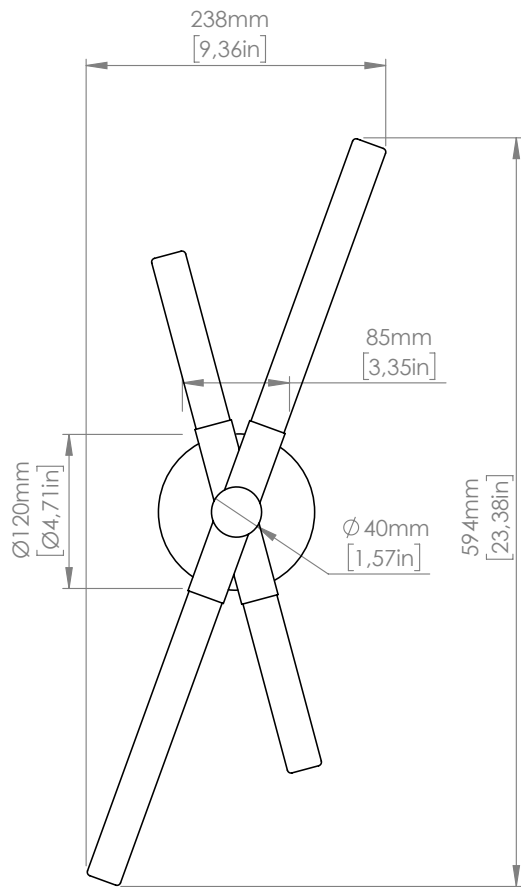
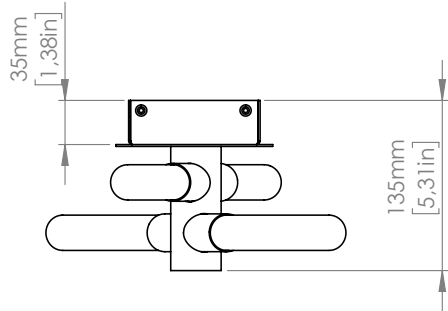
La lampada è composta da **moduli collegati senza fili tramite contatto**. Ogni modulo ha **due circuiti stampati** che trasmettono elettricità agli altri, illuminando la lampada.

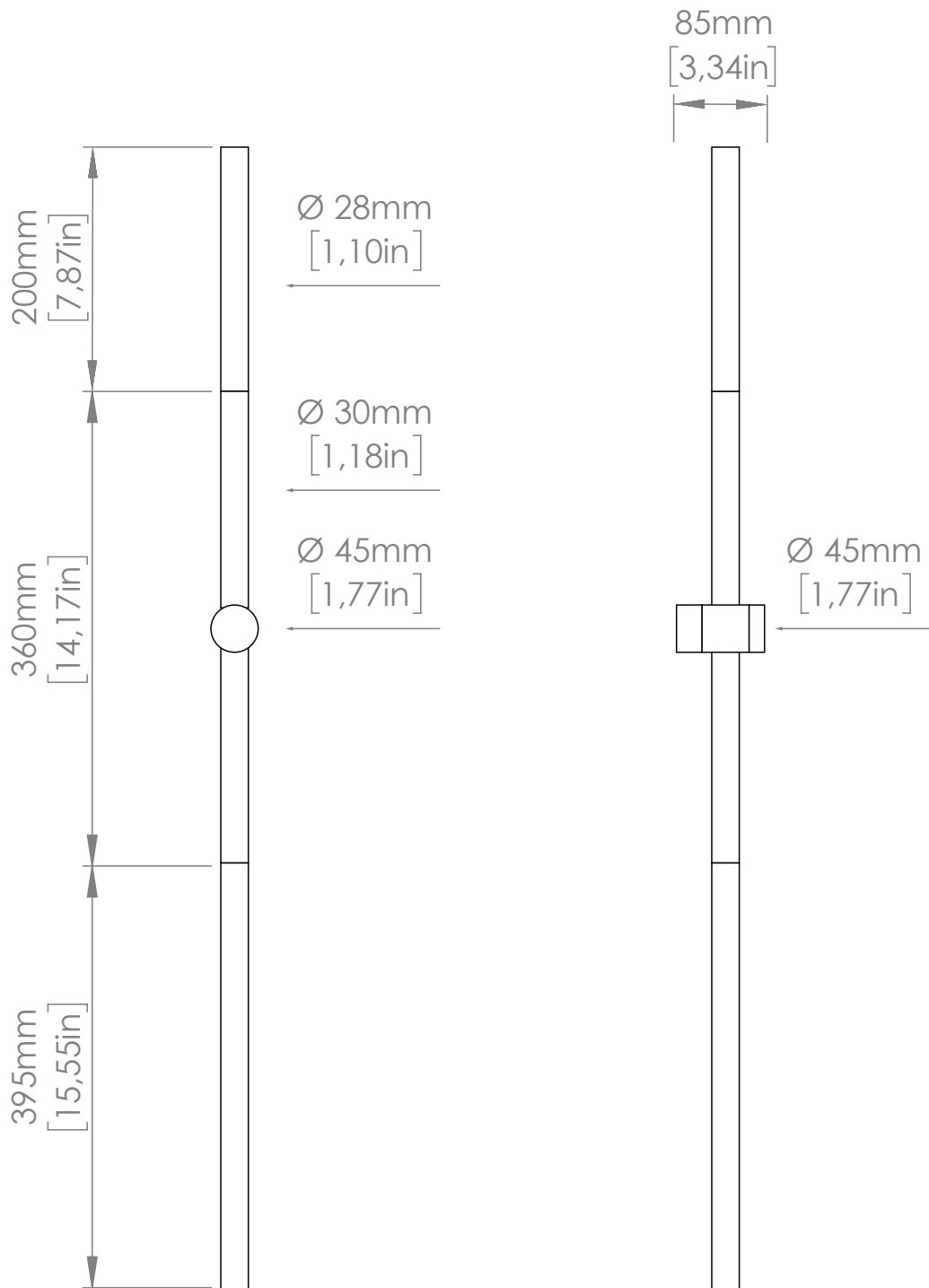
*The lamp consists of **hexagonal modules that connect wirelessly through contact points**. Each module contains **two printed circuits** that transfer electricity to the others, illuminating the lamp.*

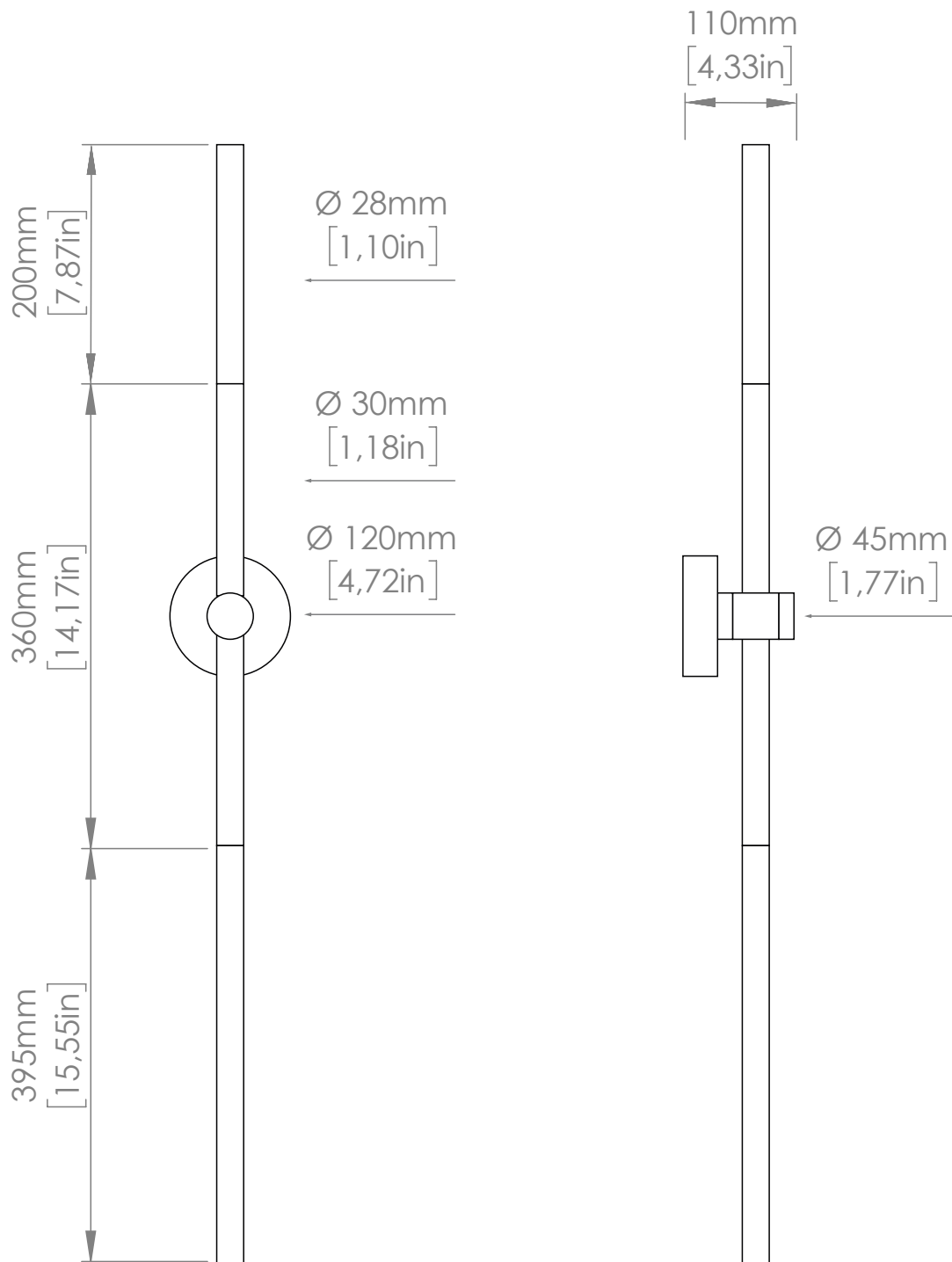


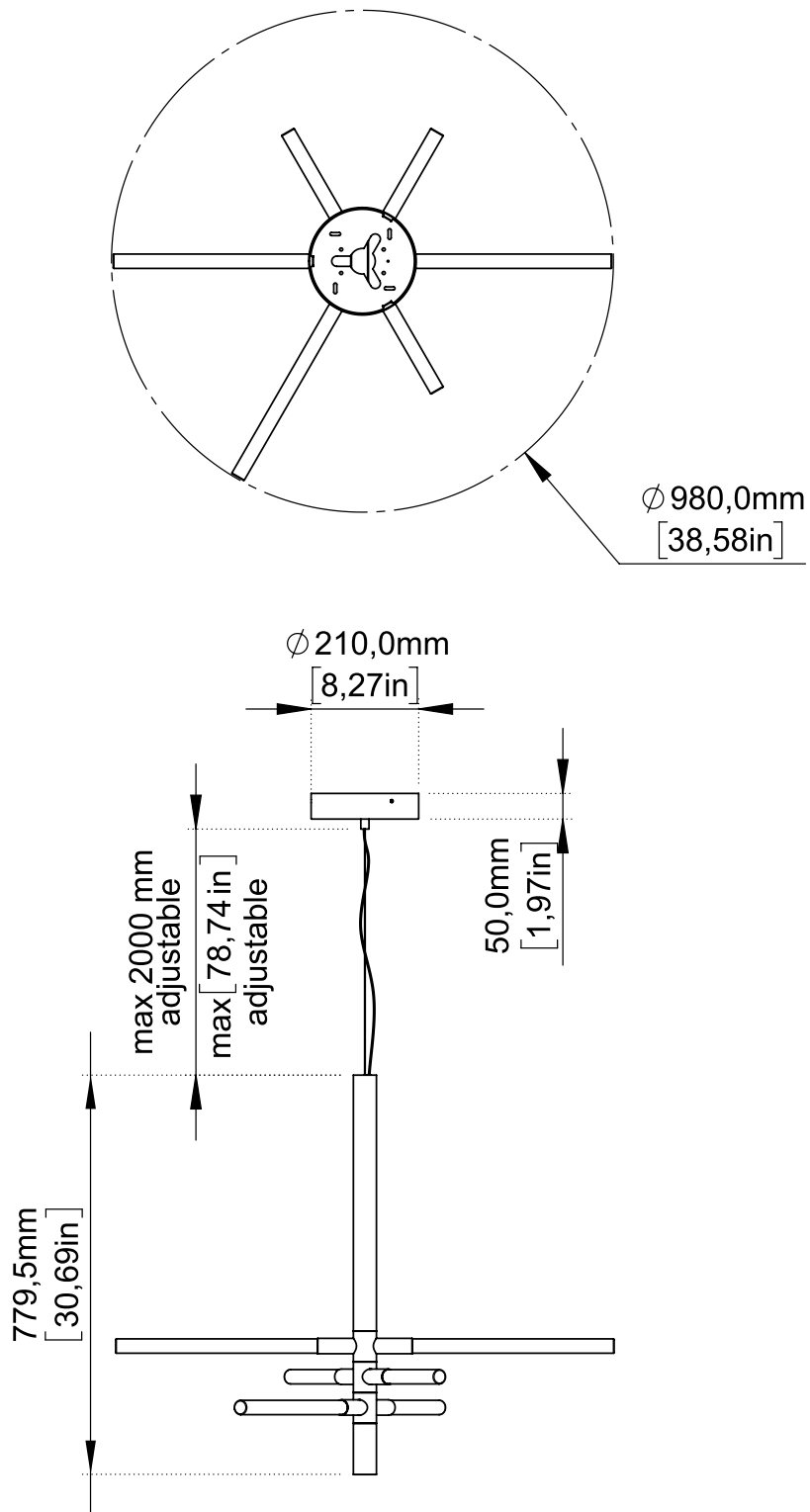
CAUTION:
REMOTE LED DRIVER

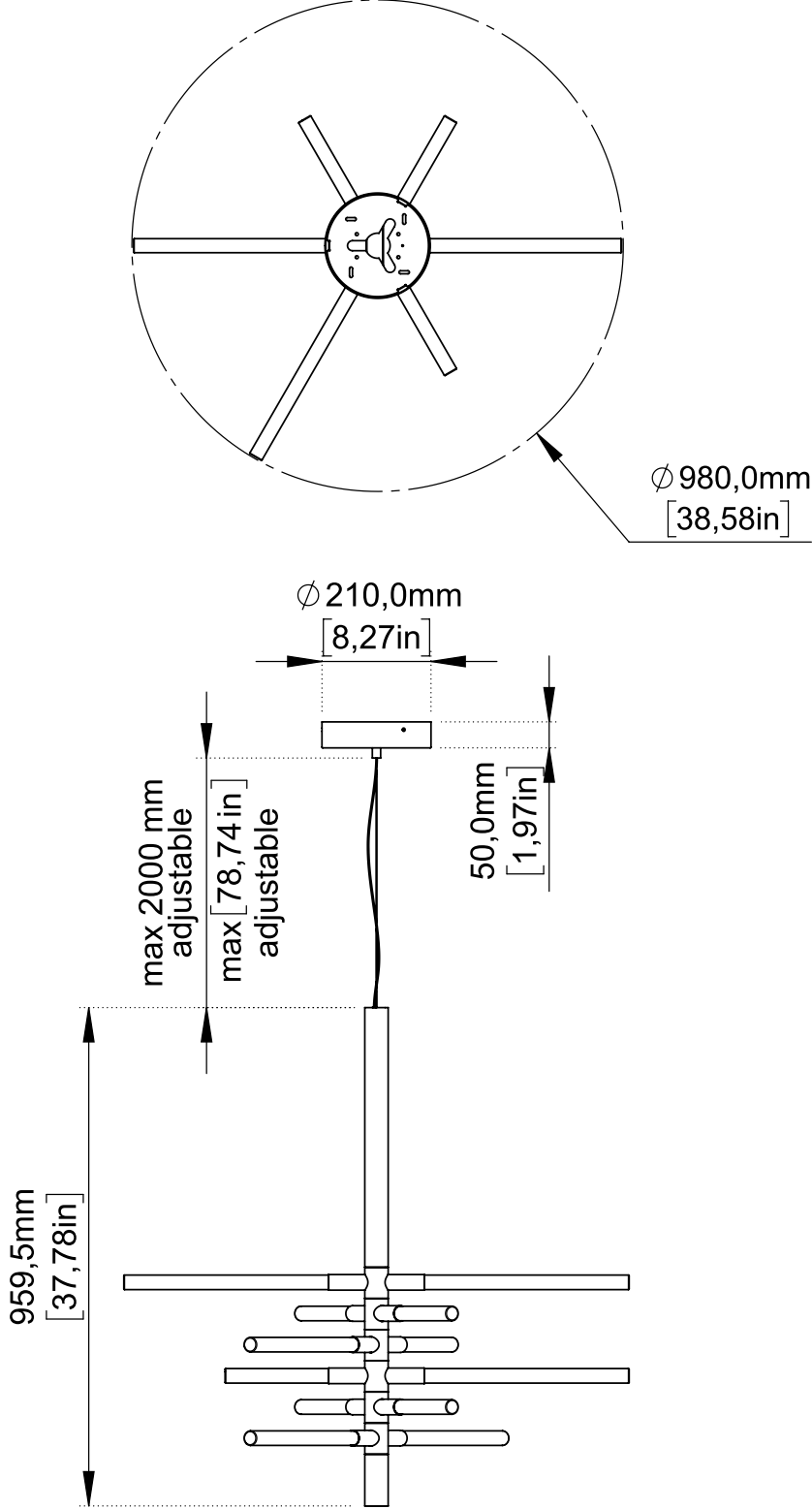


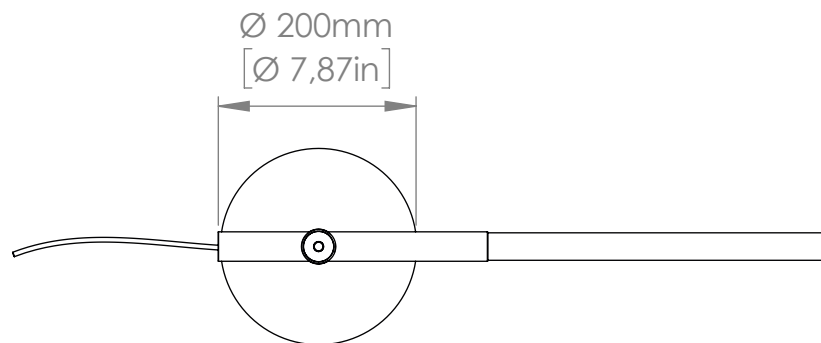
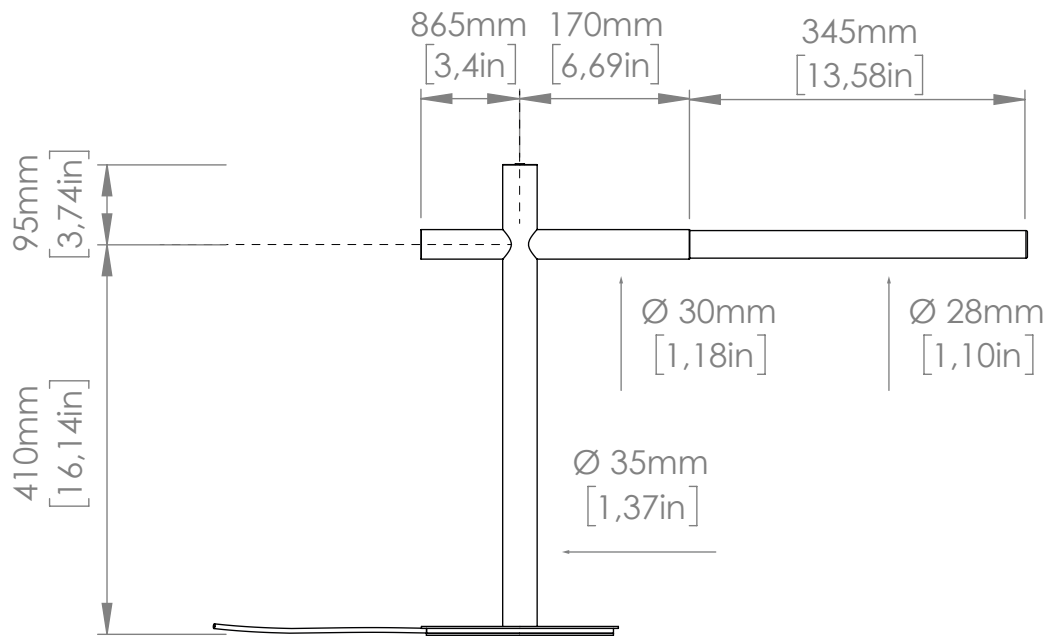


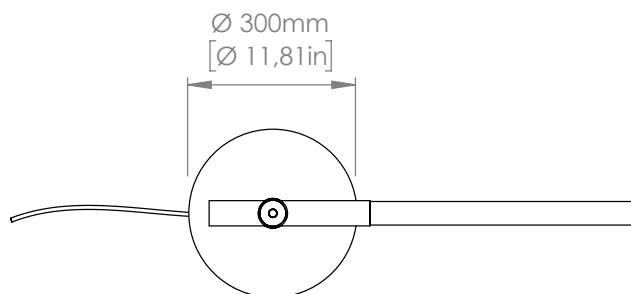
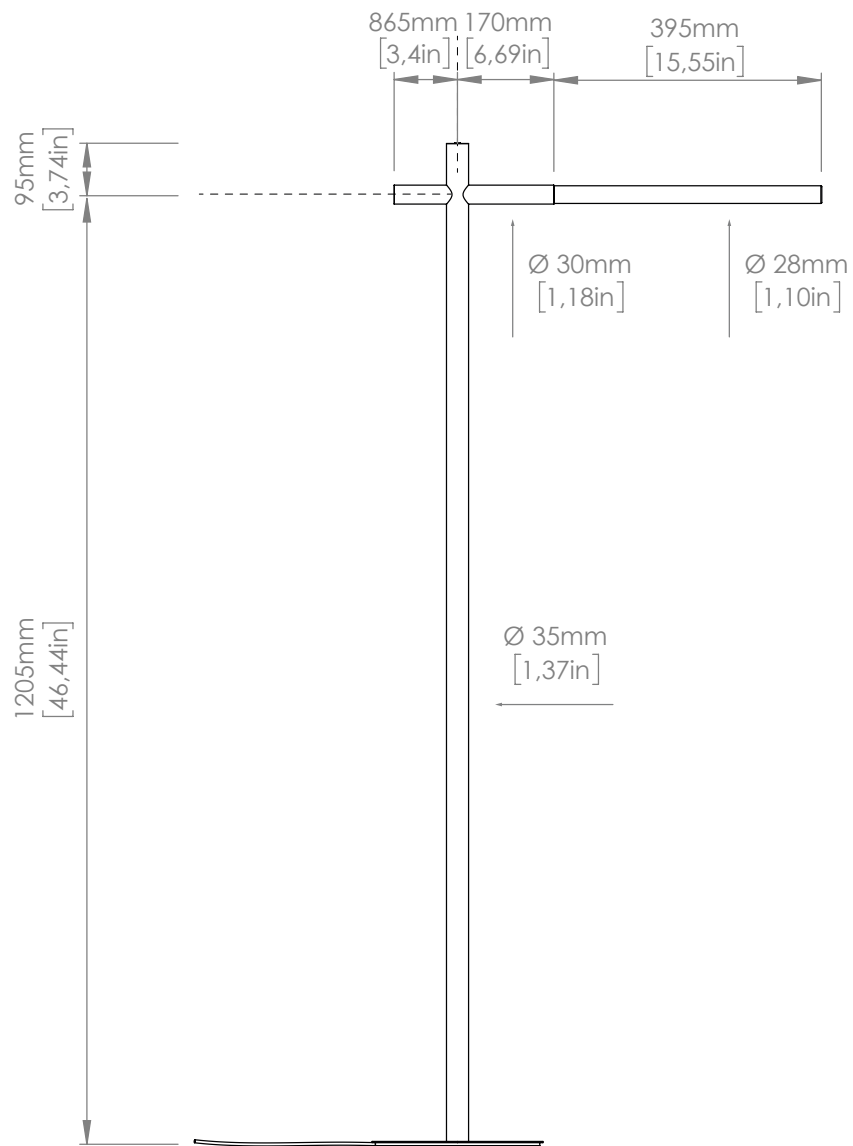












Copyright and/or design rights subsist in this drawing. No part of this drawing may be reproduced in any material form (including photocopying or storing in any medium electronic means, whether or not intentionally and whether or not as part or a larger publication) without the express permission of the copyright owner, Contardi Lighting S.r.l.. Further and without prejudice to the above, this drawing and all information relating thereto is confidential, and shall not be communicated to a third party without the consent of Contardi lighting srl. Contardi lighting srl asserts all rights to be identified as the author of the work and otherwise.

WARNING: The doing of any unauthorised act in relation to a copyright work may result in both a civil claim for damages and criminal prosecution.

CONTARDI LIGHTING Srl

ITALY HEADQUARTERS

contardi-italia.com / sales@contardi-italia.it

CONTARDI USA Inc

USA BRANCH

contardi-usa.com / info@contardi-usa.com

